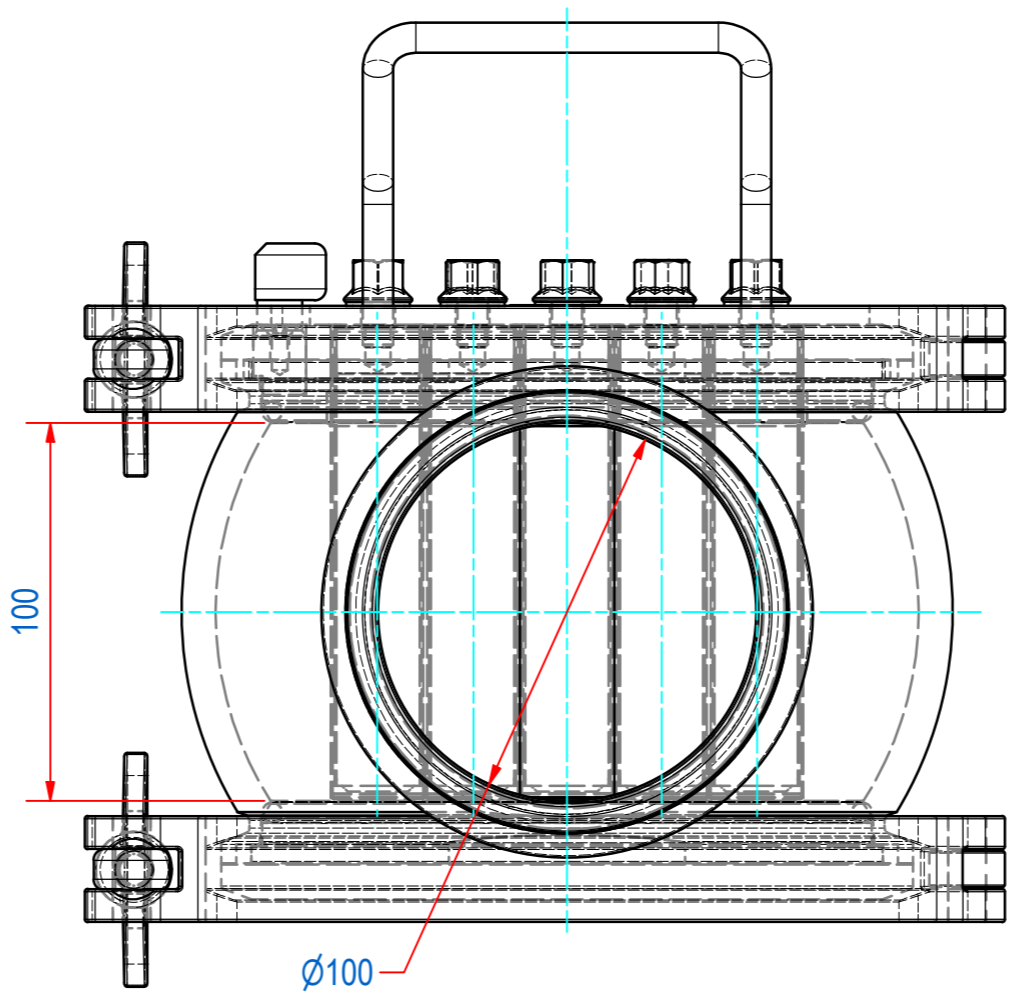
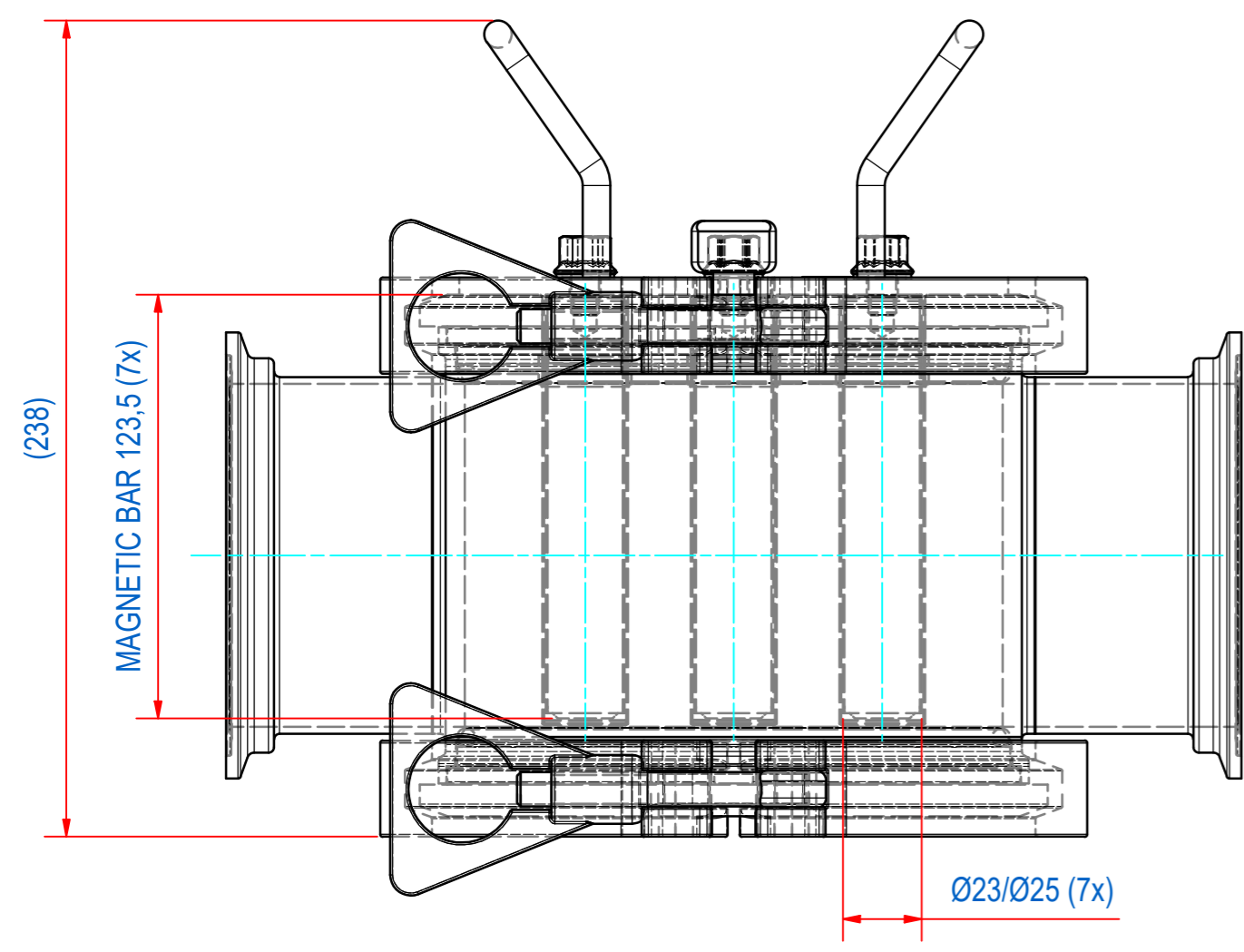
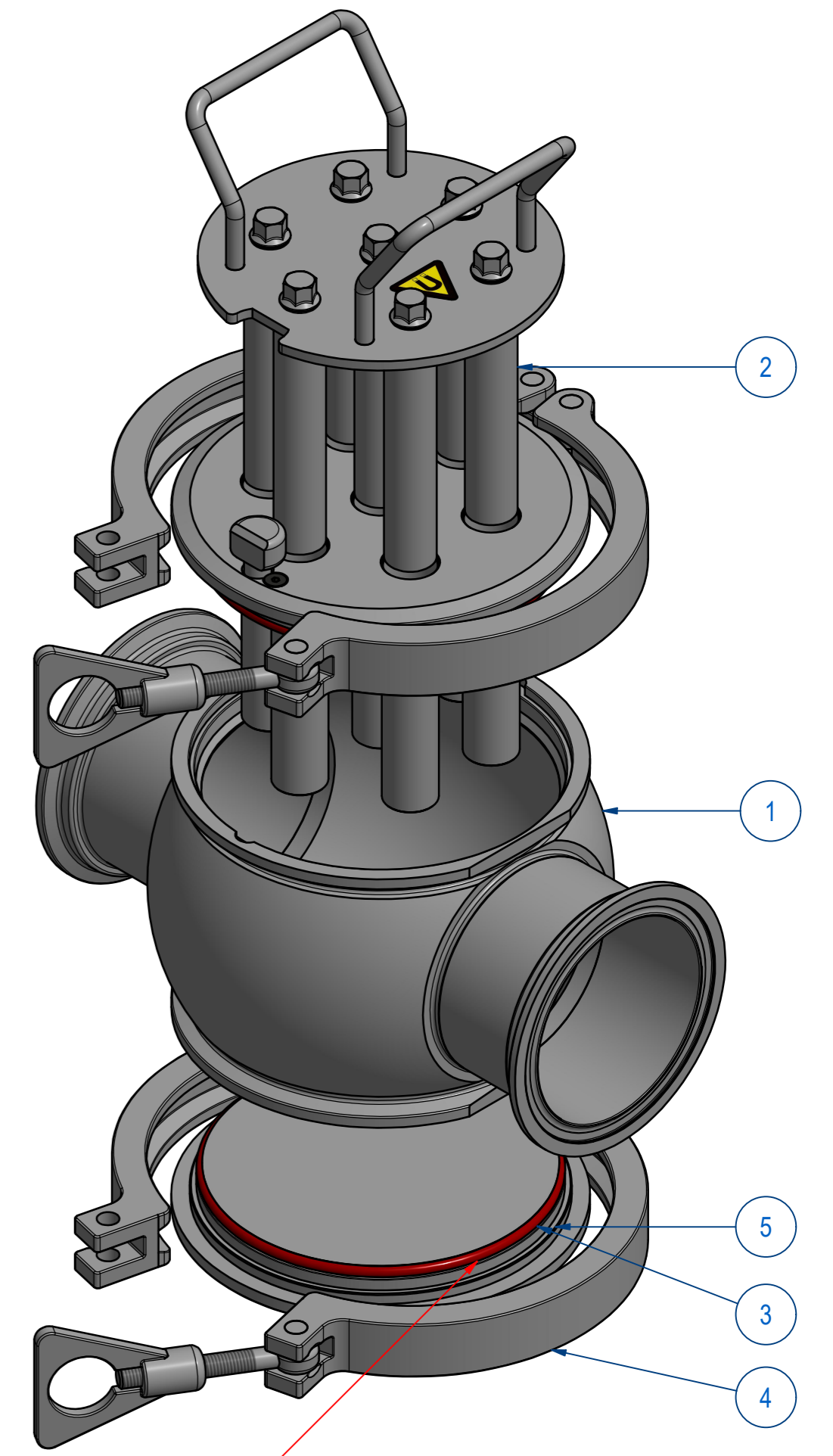
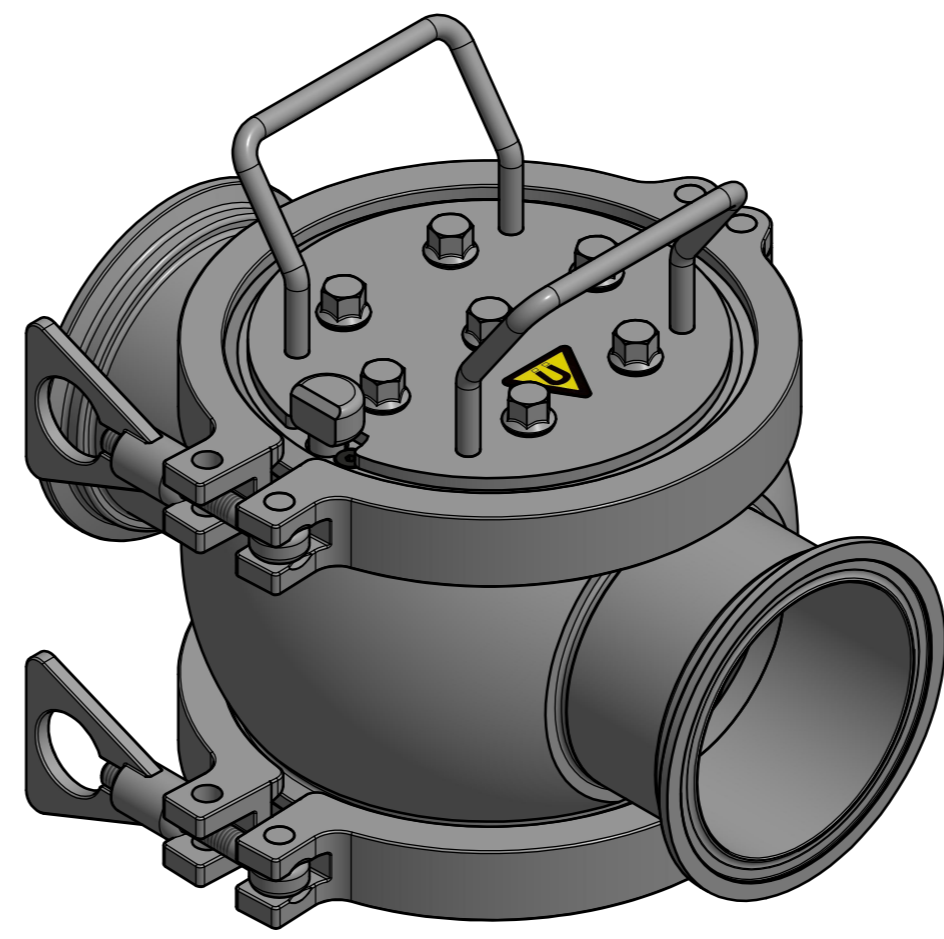
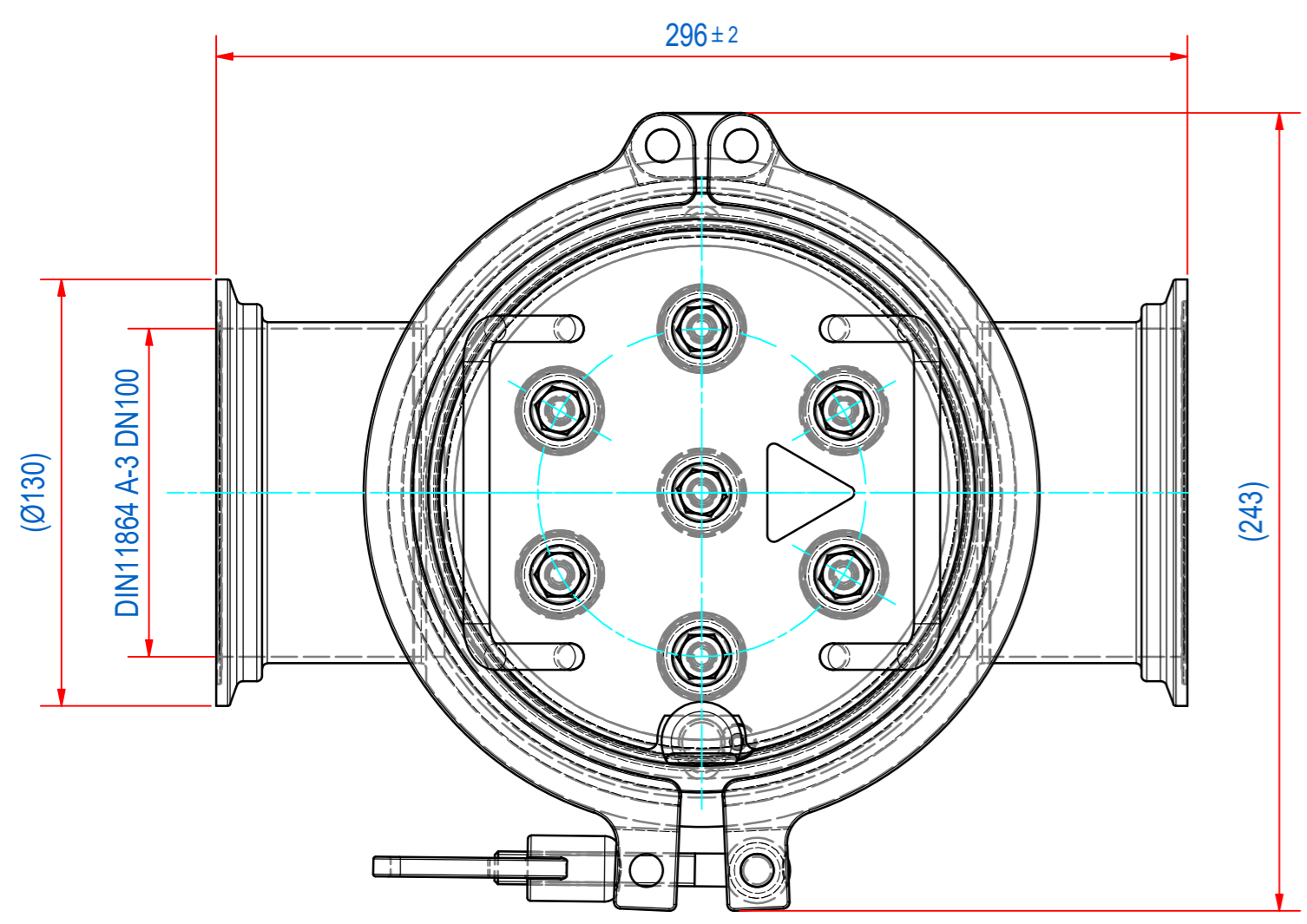


REV	DATE	BY	DESCRIPTION
-	3-7-2014	AvD	REFERENCE DRAWING E0015745



SEAL CONFORM TO HYGIENIC DESIGN

ITEM	QTY	PART NUMBER	DESCRIPTION	Dimensions
5	1	E0016733	SFH-000 BOTTOM PLATE	
4	2	77.9630140	GPFI-TRI CLAMP D183	
3	2	E0018393	SFH-S-000-S O-RING RED EC1935	
2	1	E0013258	SFH-S-100-07E-HT INSERT	
1	1	E0012896	SFH-100-PC HOUSE 316L	

RAW MAT.	Quantity	Material Number	Material Description	Length (mm)	Width (mm)
⊕	1				

Sheet: <b>A2</b>	Extra info:	General tolerance: <b>ISO 2768 - mK</b>
Drawn: <b>AVD</b>	Weight (kg): <b>22</b>	Drawn according: <b>ISO286; ISO1101; ISO2553</b>
Date: <b>3-2-2014</b>		Status: <b>Standard</b>
Spare part: <b>False</b>	Source:	Customer reference number:
Quick search: <b>SFH-100</b>		Document number: <b>E0012923</b>
Description: <b>SFH-100-PC-07E-HT-F5M-S-B-B-B</b>		Part number: <b>E0012923</b>



© All rights reserved. Reproduction is not permitted without written permission of GOUDSMIT Magnetic Systems BV