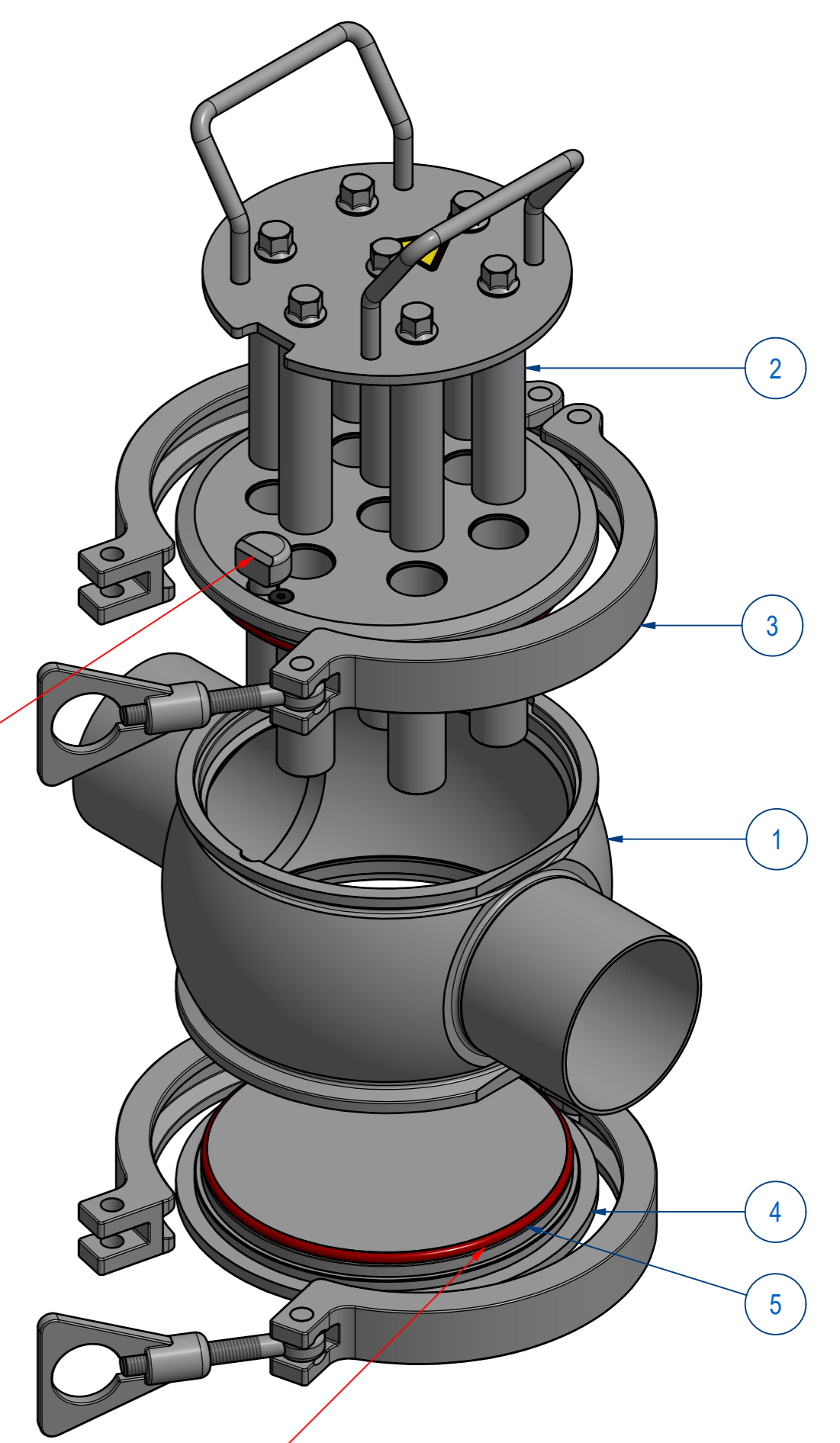
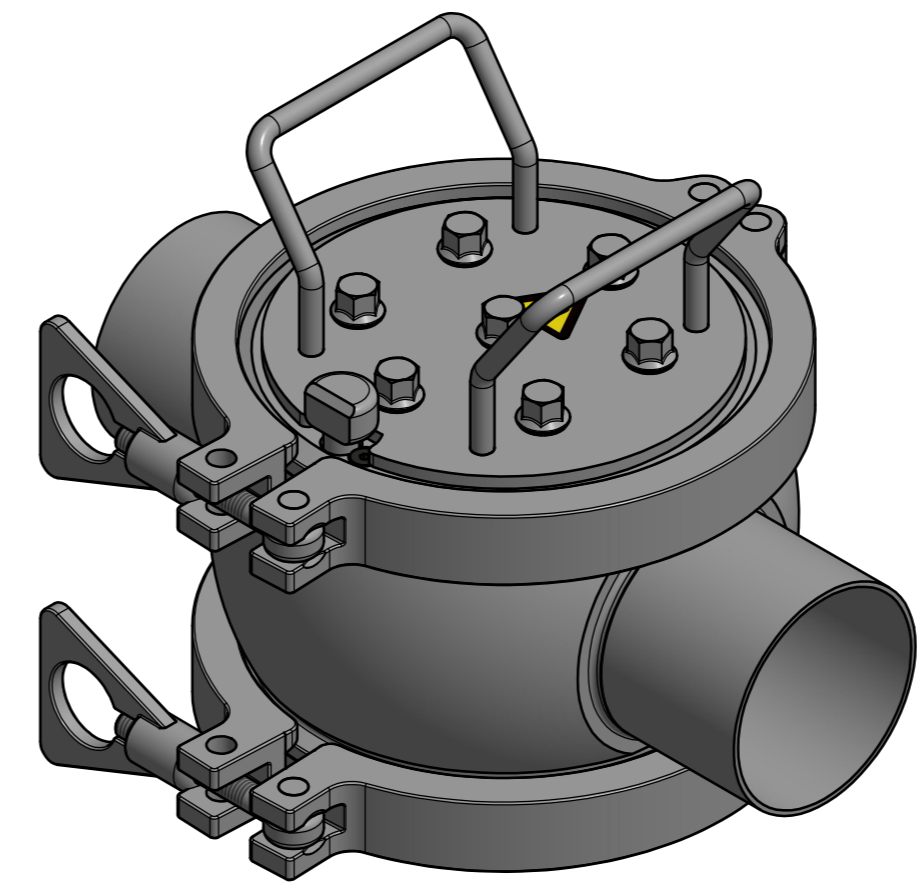
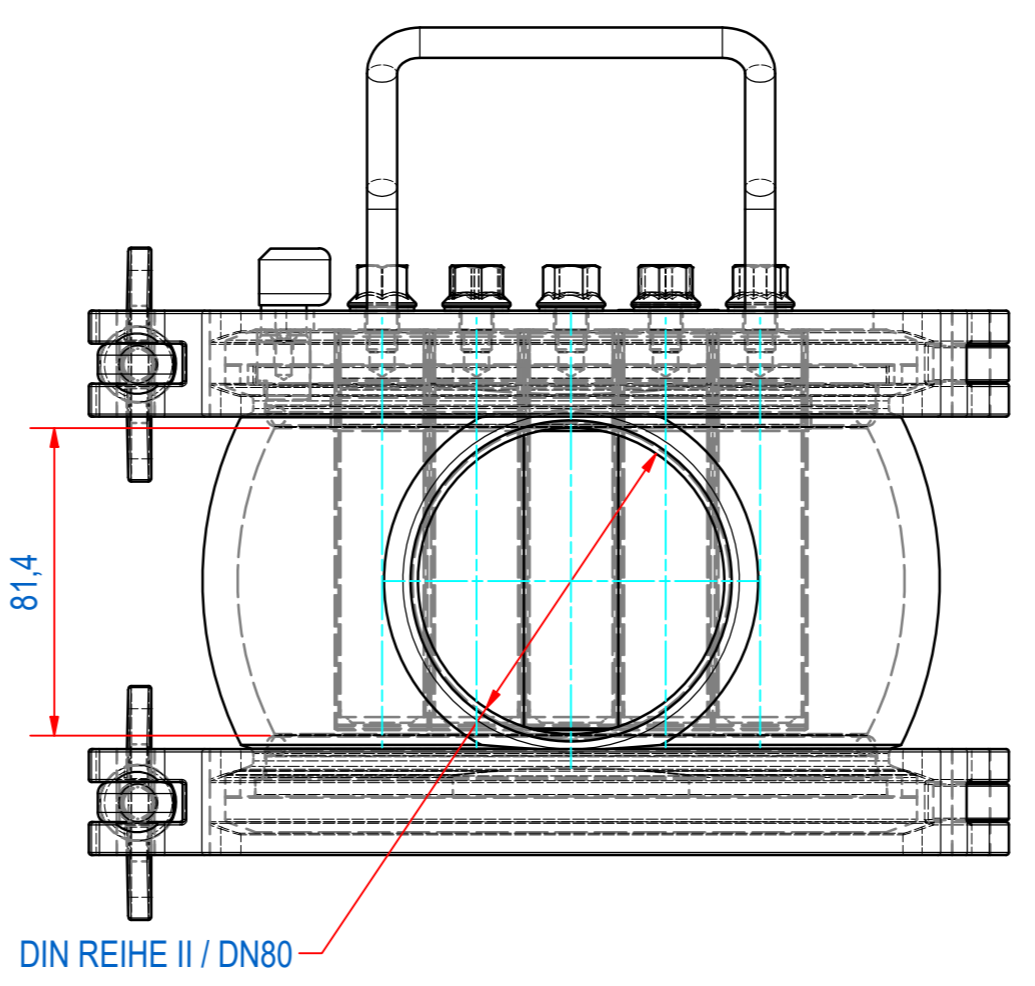
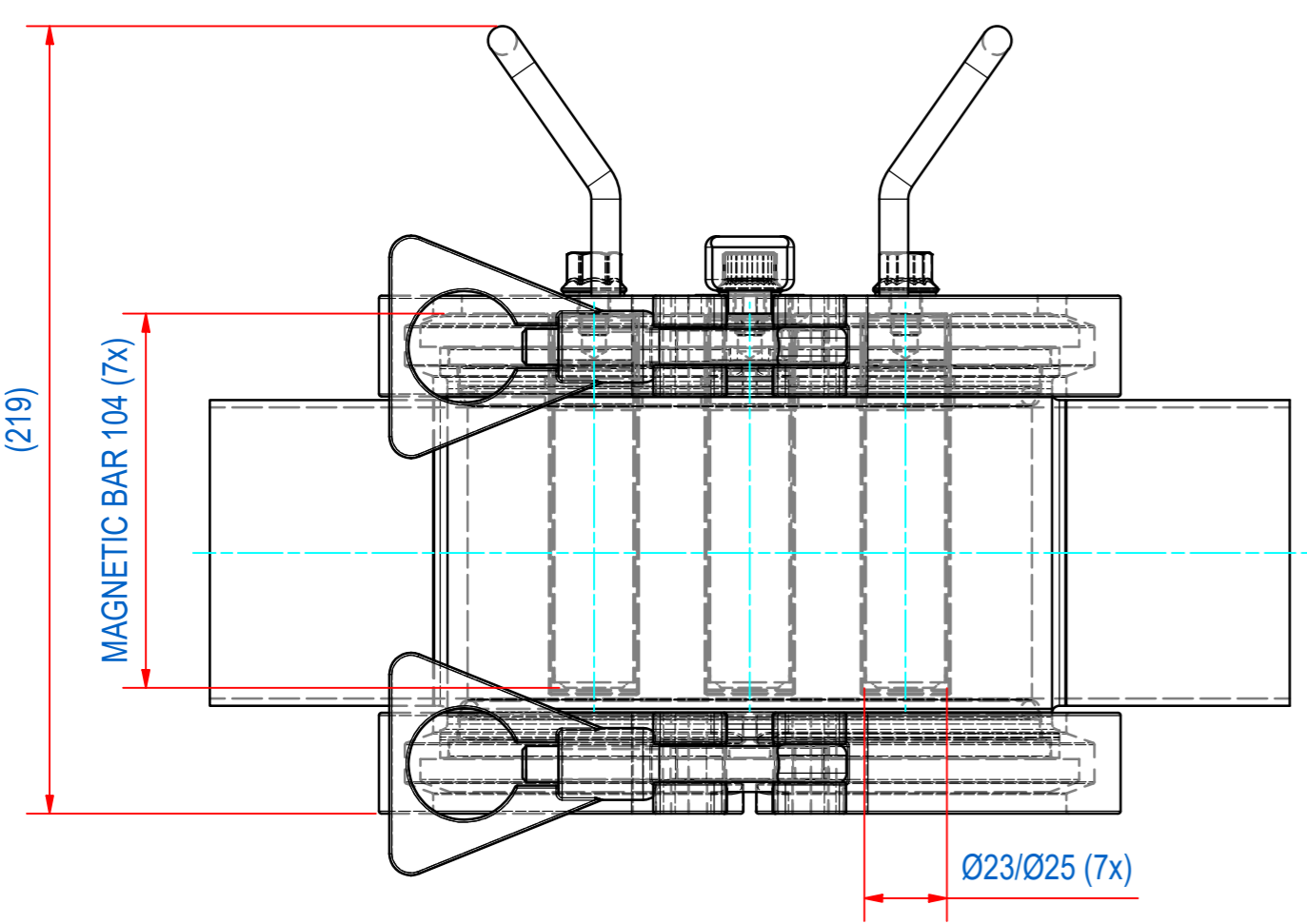
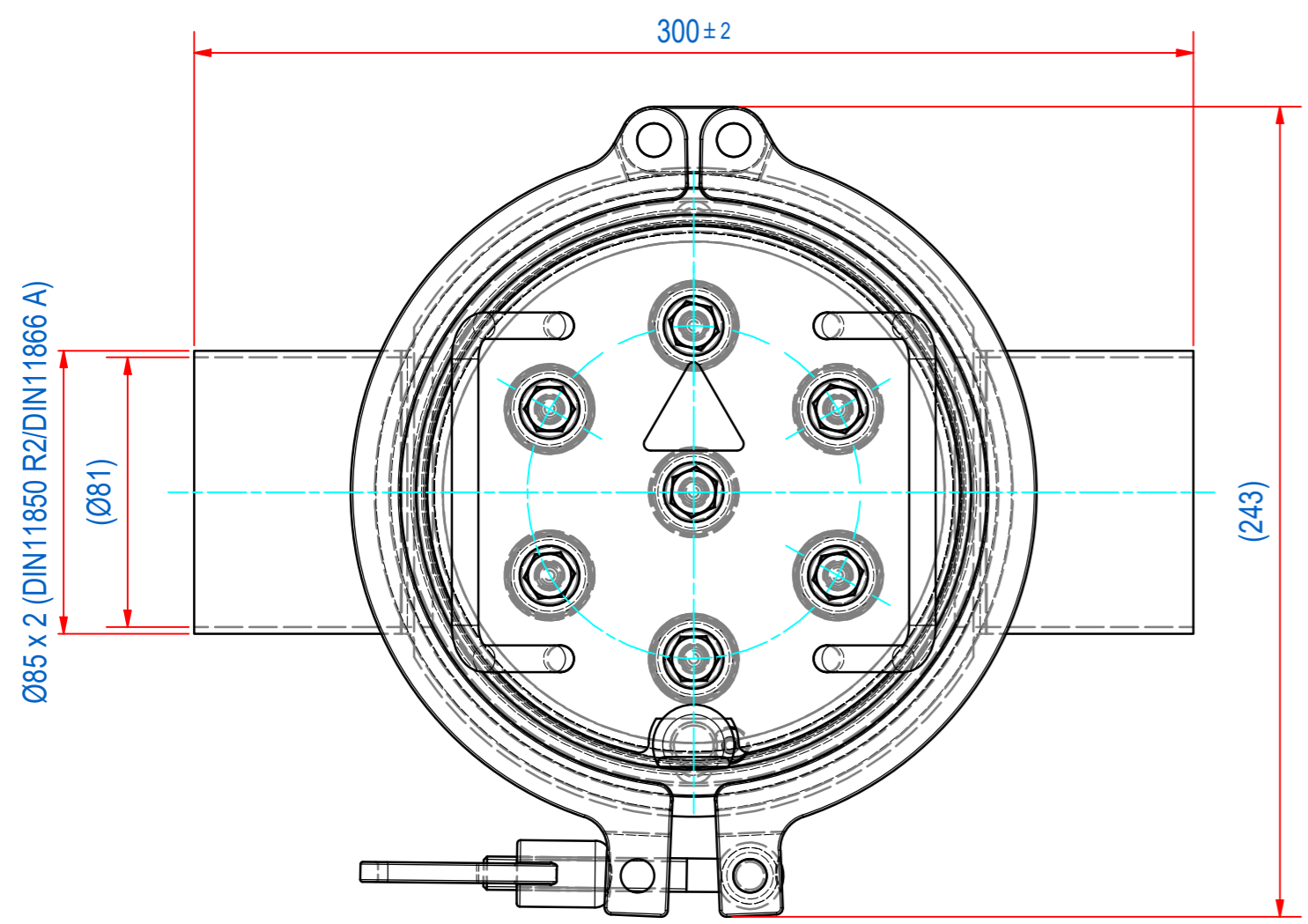


REV	DATE	BY	DESCRIPTION
-	3-7-2014	AvD	ORIGINAL DRAWING
A	9-7-2015	CR	NOTHING CHANGED



CLEANING PROTECTION

SEAL CONFORM TO HYGIENIC DESIGN

ITEM	QTY	PART NUMBER	DESCRIPTION	Dimensions
5	2	E0018393	SFH-S-000-S O-RING RED EC1935	
4	1	E0016733	SFH-000 BOTTOM PLATE	
3	2	77.9630140	GPFI-TRI CLAMP D183	
2	1	E0015752	SFH-S-080-07E-HT INSERT	
1	1	E0015744	SFH-080-T1 HOUSE 316L	

RAW MAT.	Quantity: 1	Material Number	Material Description	Length (mm)	Width (mm)
Sheet:	A2	Extra info:	General tolerance:	ISO 2768- mK	
Drawn:	AVD	Weight (kg):	20	Drawn according:	ISO286; ISO1101; ISO2553
Date:	14-4-2014	Status:	Standard	Customer reference number:	
Spare part:	False	Quick search:	SFH-080	Document number:	E0015745
Description:	SFH-080-T1-07E-HT-F5M-S-B-B-B			Doc.Rev:	A
				Part number:	E0015745
				Rev:	A



© All rights reserved. Reproduction is not permitted without written permission of GOUDSMIT Magnetic Systems BV