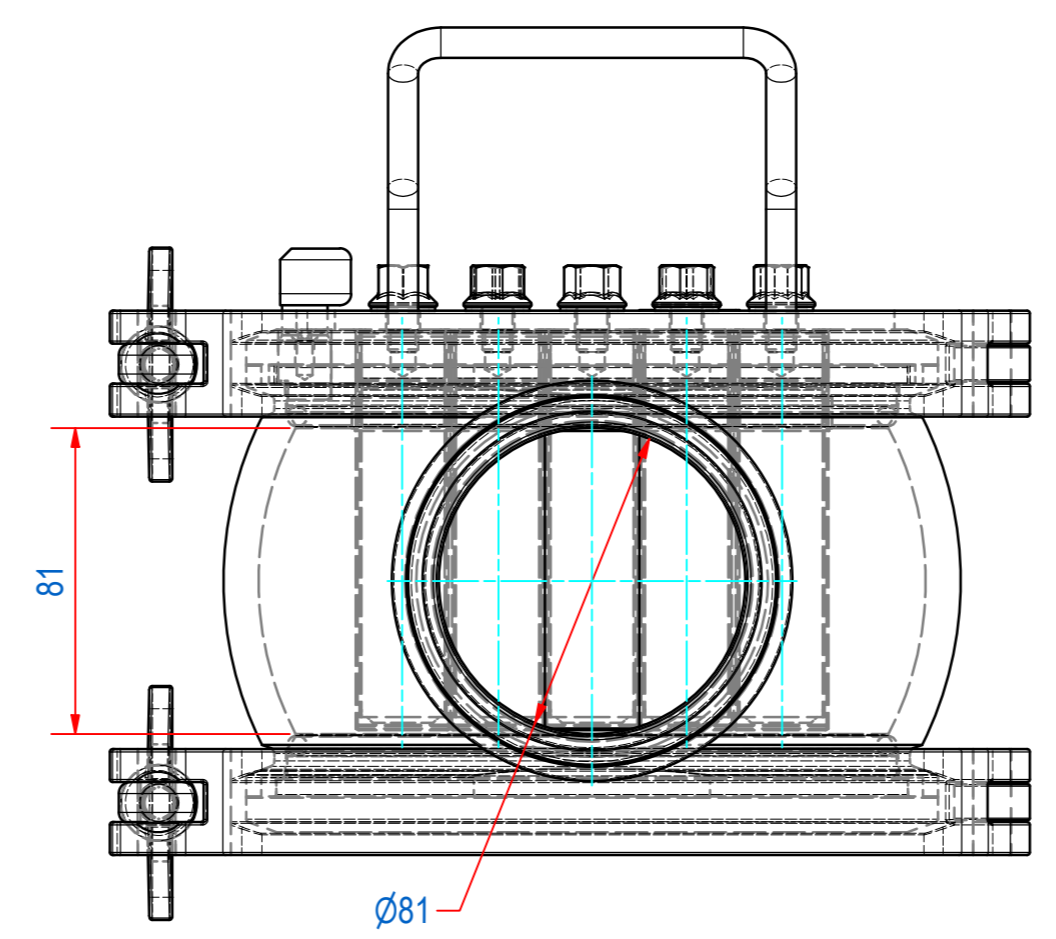
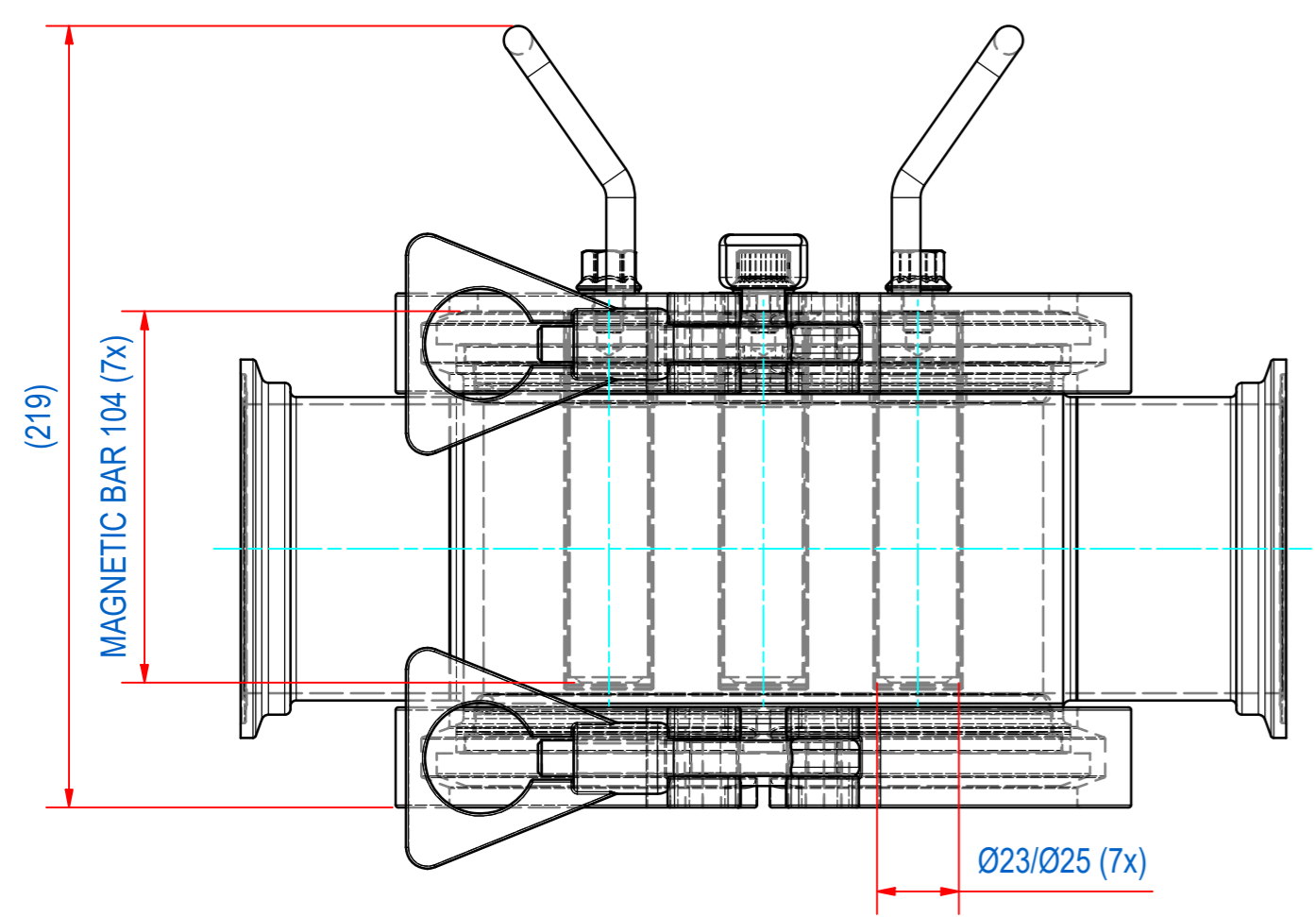
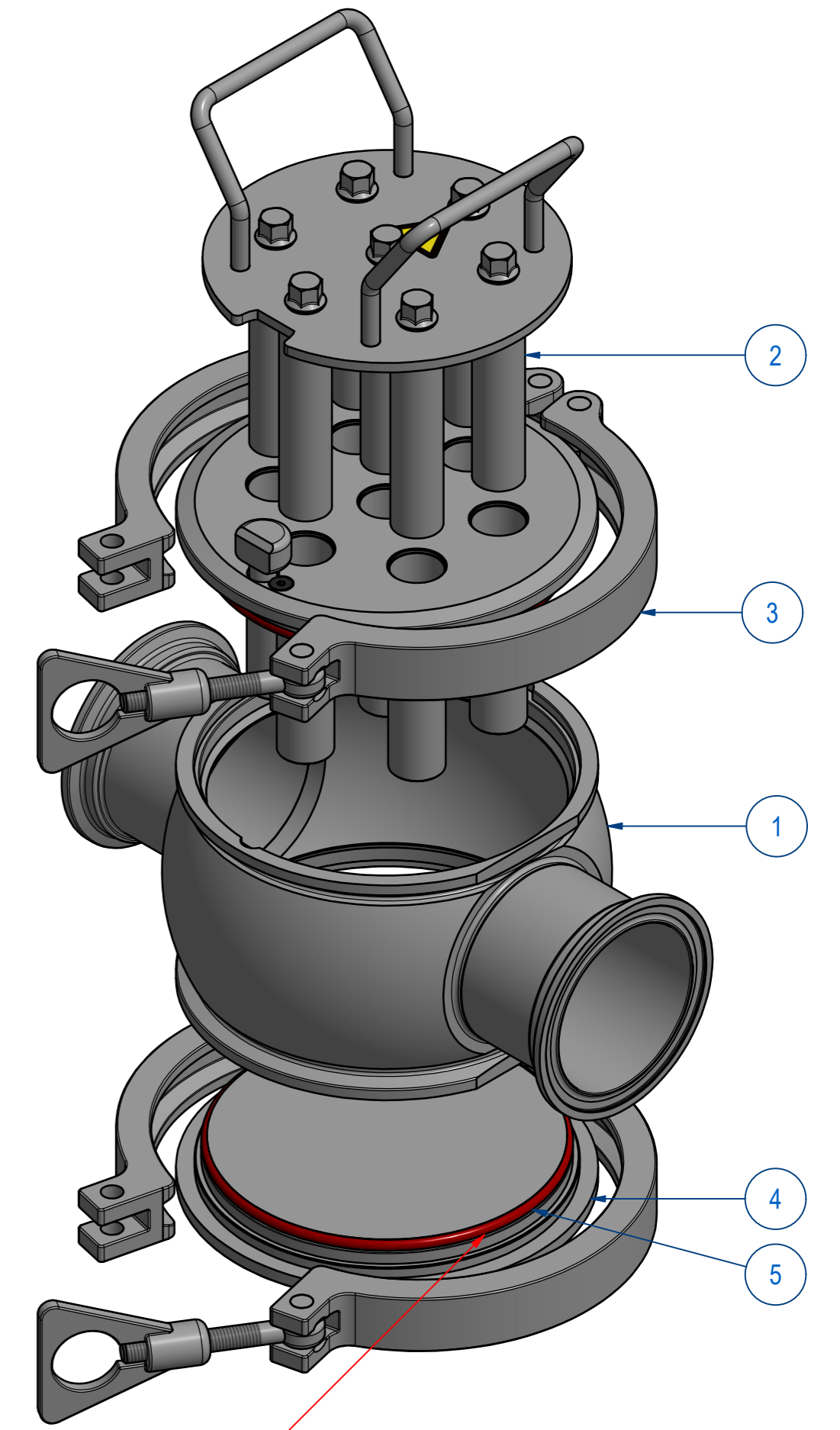
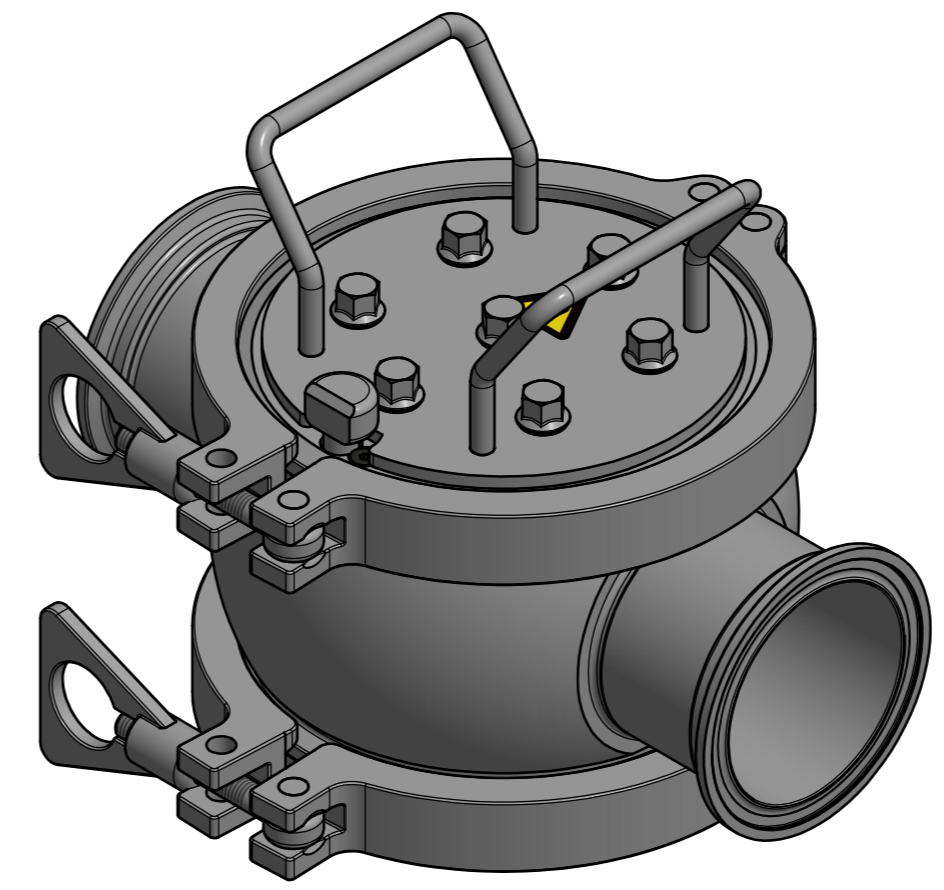
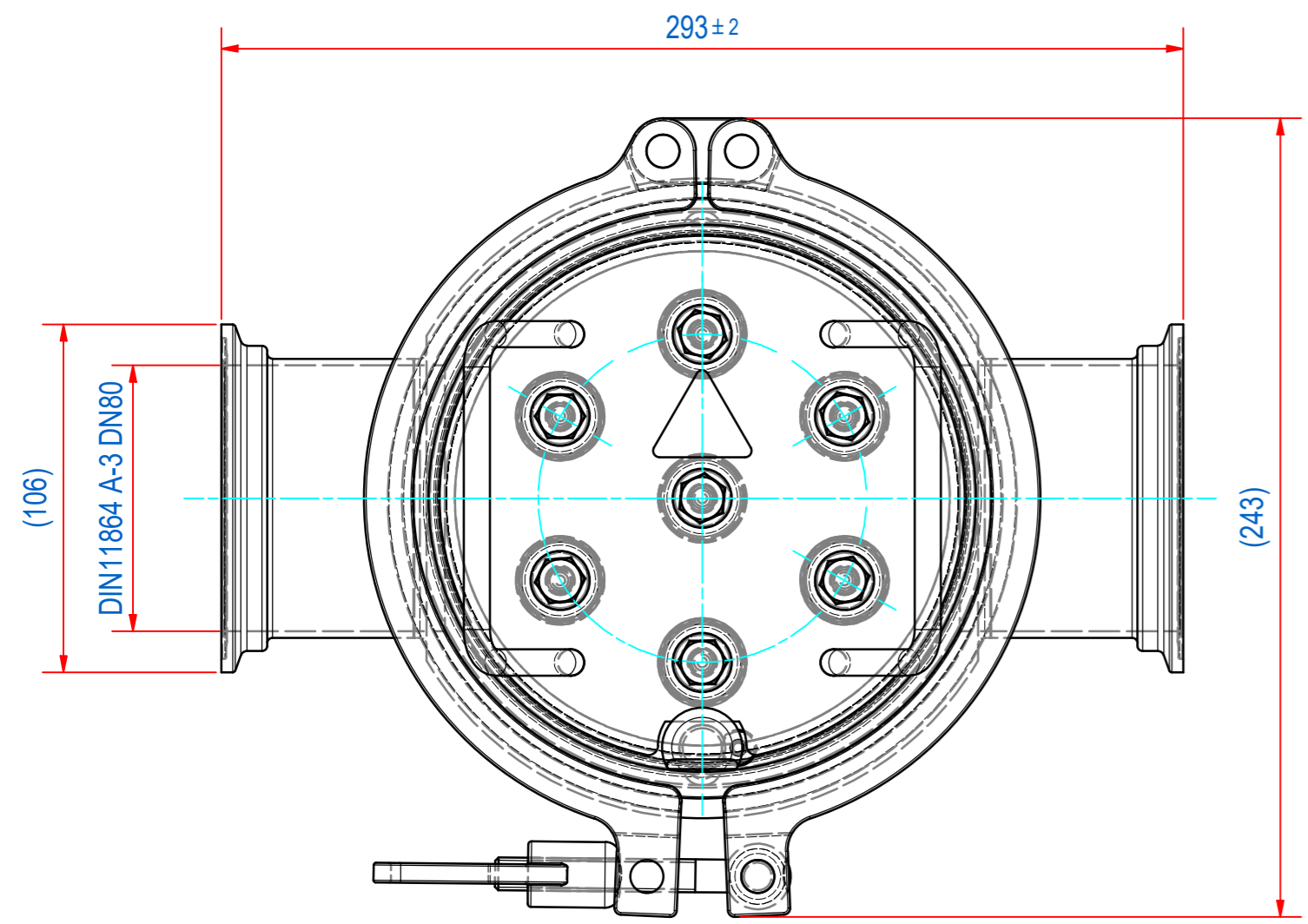


REV	DATE	BY	DESCRIPTION
-	3-7-2014	AvD	REFERENCE DRAWING E0012923



SEAL CONFORM TO HYGIENIC DESIGN

ITEM	QTY	PART NUMBER	DESCRIPTION	Dimensions
5	2	E0018393	SFH-S-000-S O-RING RED EC1935	
4	1	E0016733	SFH-000 BOTTOM PLATE	
3	2	77.9630140	GPFI-TRI CLAMP D183	
2	1	E0015752	SFH-S-080-07E-HT INSERT	
1	1	E0018611	SFH-080-PC HOUSE 316L	

RAW MAT.	Quantity	Material Number	Material Description	Length (mm)	Width (mm)
⊕	1				

Sheet: A2	Extra info:	General tolerance: ISO 2768 - mK
Drawn: AVD	Weight (kg): 20	Drawn according: ISO286; ISO1101; ISO2553
Date: 3-7-2014		Status: Standard
Spare part: False	Source:	Customer reference number:
Quick search: SFH-080		Document number: E0018612
Description: SFH-080-PC-07E-HT-F5M-S-B-B-B		Doc.Rev: -
		Part number: E0018612
		Rev: -



© All rights reserved. Reproduction is not permitted without written permission of GOUDSMIT Magnetic Systems BV