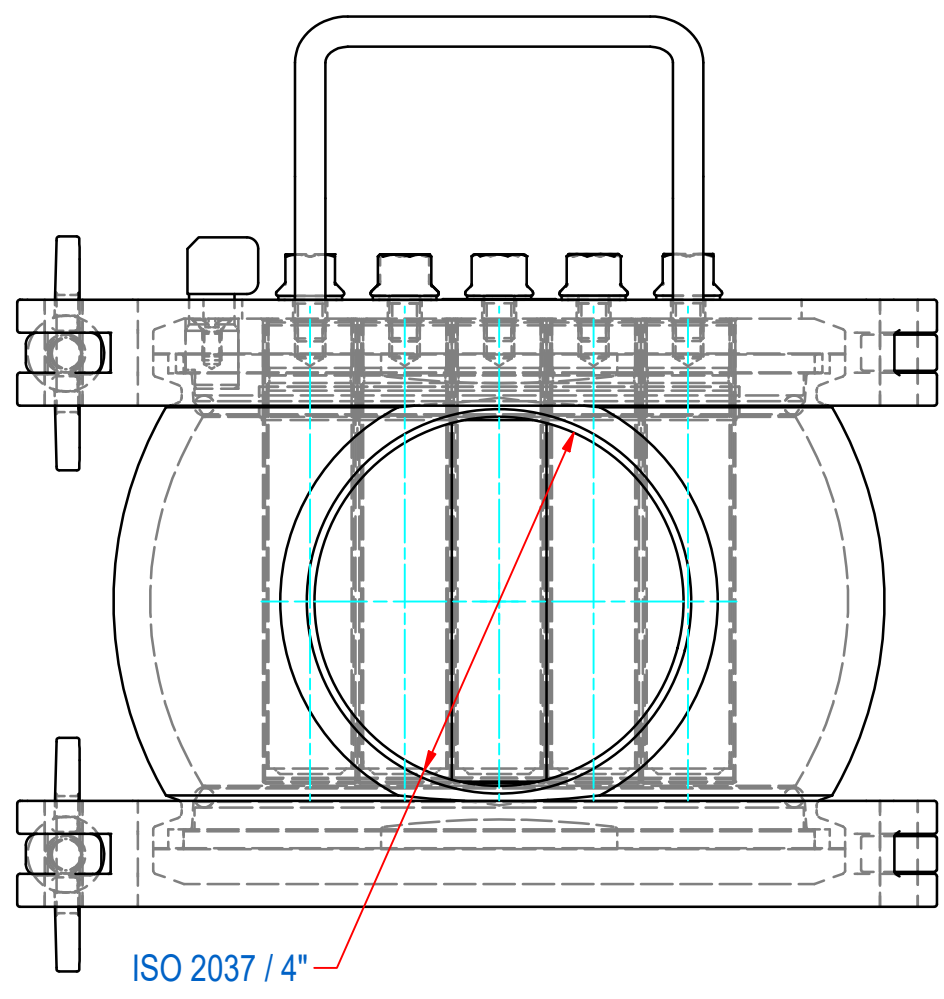
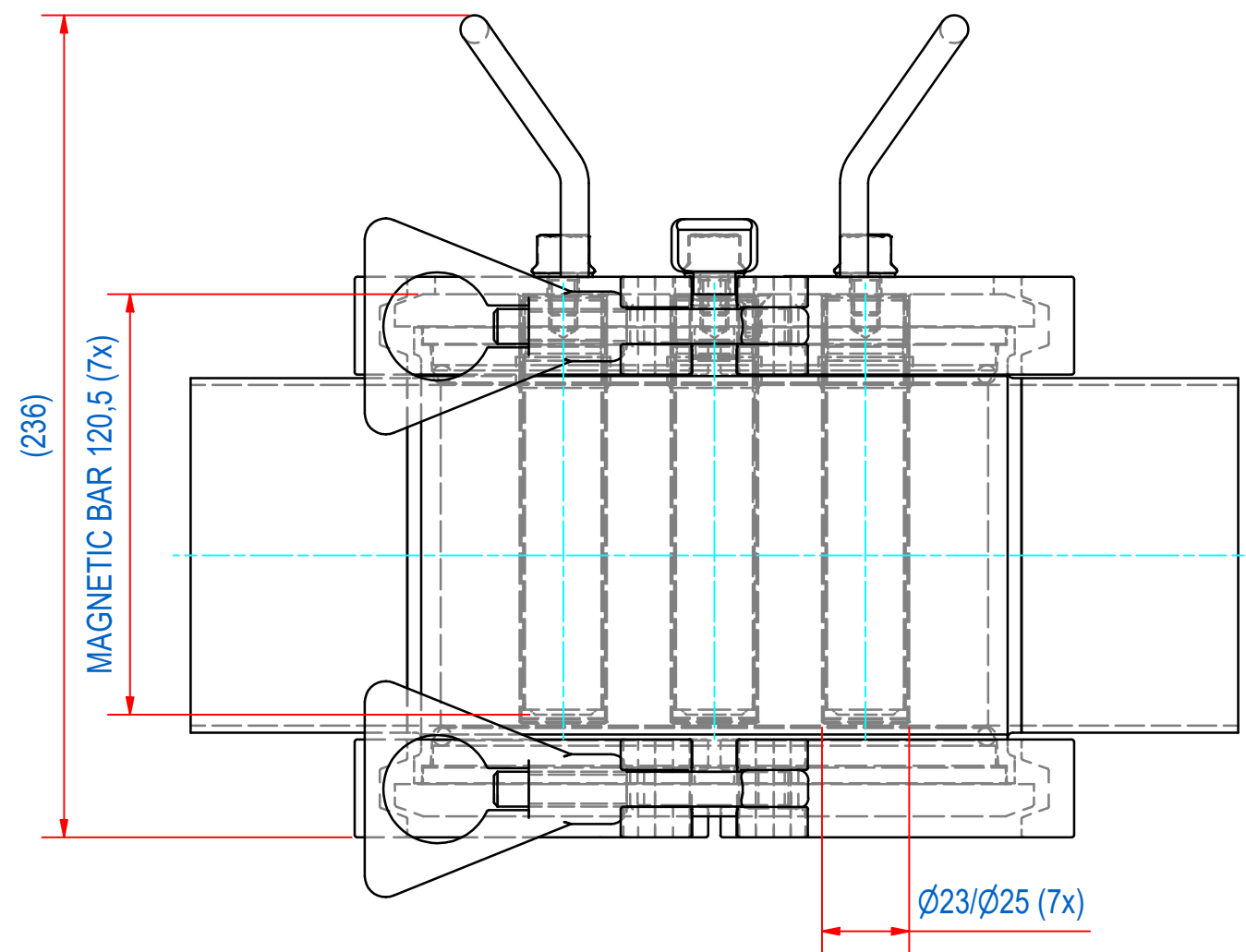
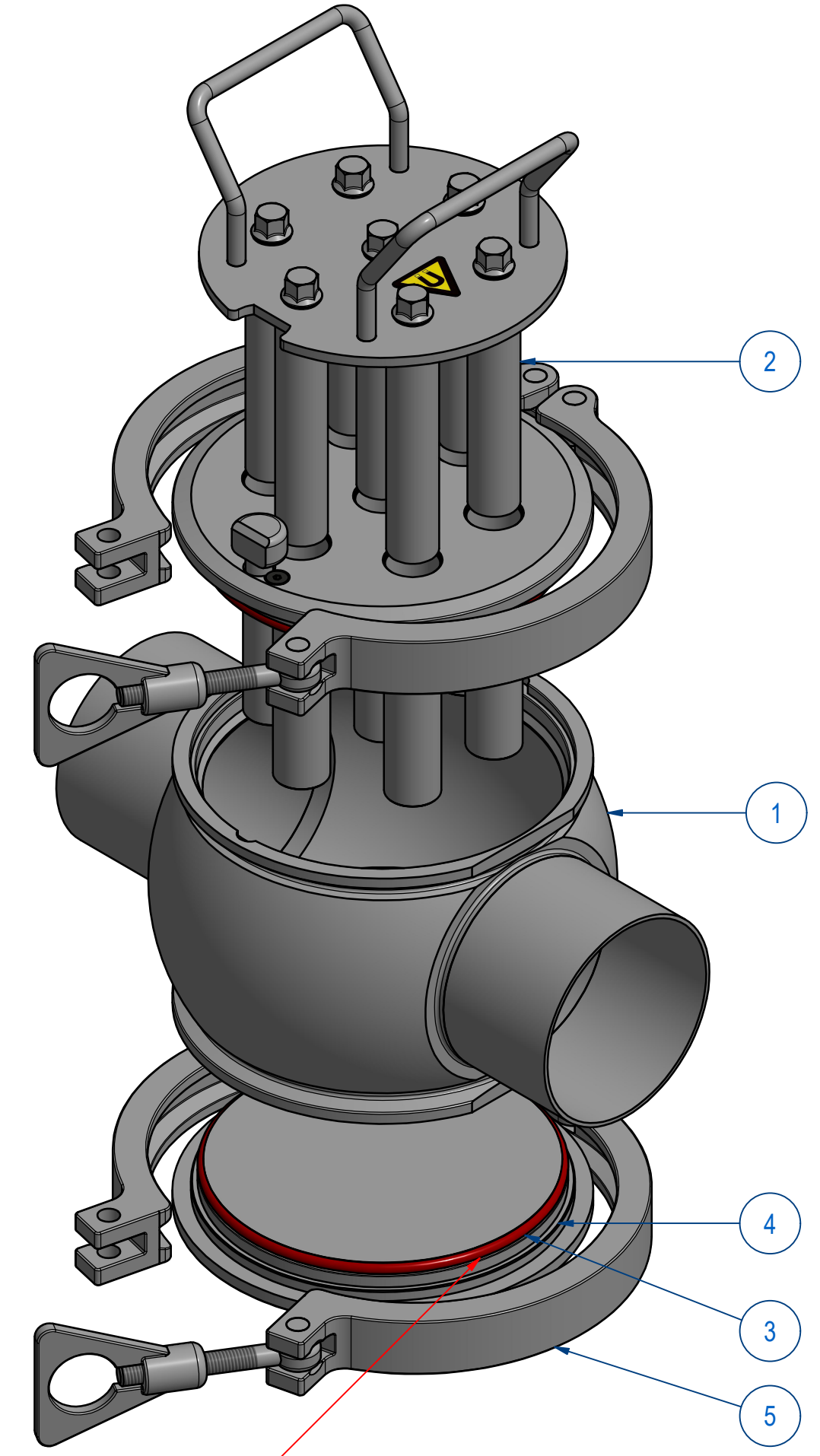
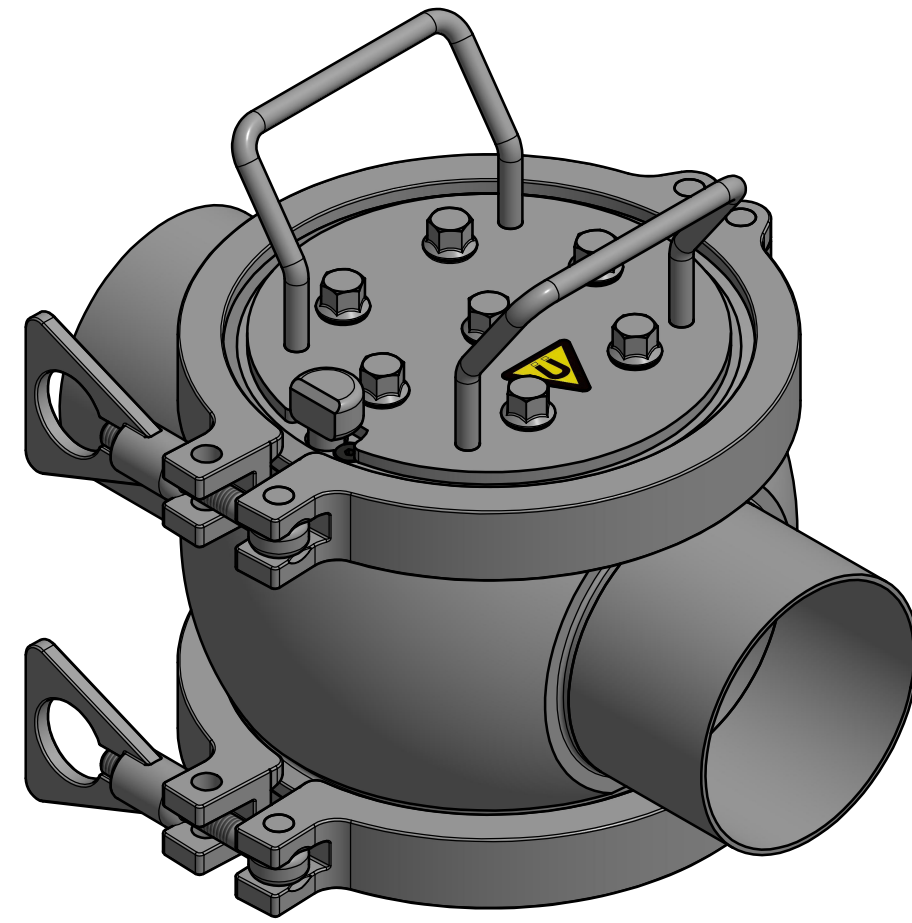
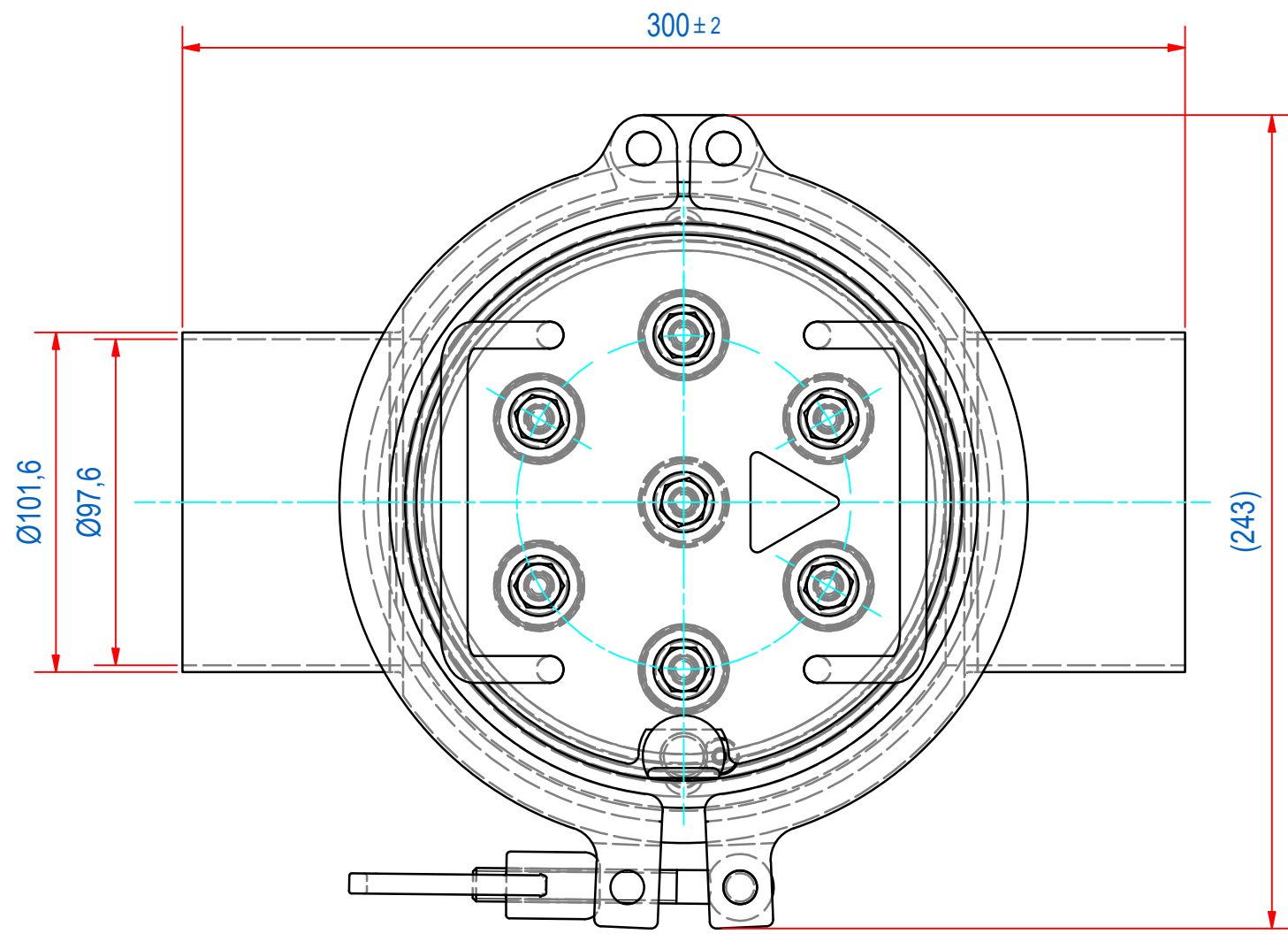


REV	DATE	BY	DESCRIPTION
-	22-7-2014	AvD	REFERENCE DRAWING E0018608



SEAL CONFORM TO HYGIENIC DESIGN

ITEM	QTY	PART NUMBER	DESCRIPTION	Dimensions
5	2	77.9630140	GPFI-TRI CLAMP D183	
4	1	E0016733	SFH-000 BOTTOM PLATE	
3	2	E0018393	SFH-S-000-S O-RING RED EC1935	
2	1	E0019381	SFH-S-4"-07E-HT INSERT	
1	1	E0019379	SFH-4"-T2 HOUSE 316L	

RAW MAT.	Quantity: 1	Material Number	Material Description	Length (mm)	Width (mm)
Sheet:	A2	Extra info:		General tolerance: ISO 2768 - mK	
Drawn:	AVD	Weight (kg):	21	Drawn according: ISO286; ISO1101; ISO2553	
Date:	22-7-2014	Status:		Standard	
Spare part:	False	Customer reference number:			
Quick search:	SFH-4"	Document number:		E0019380	Doc.Rev:
Description:	SFH-4"-T2-07E-HT-F5M-S-B-B-B	Part number:		E0019380	Rev: