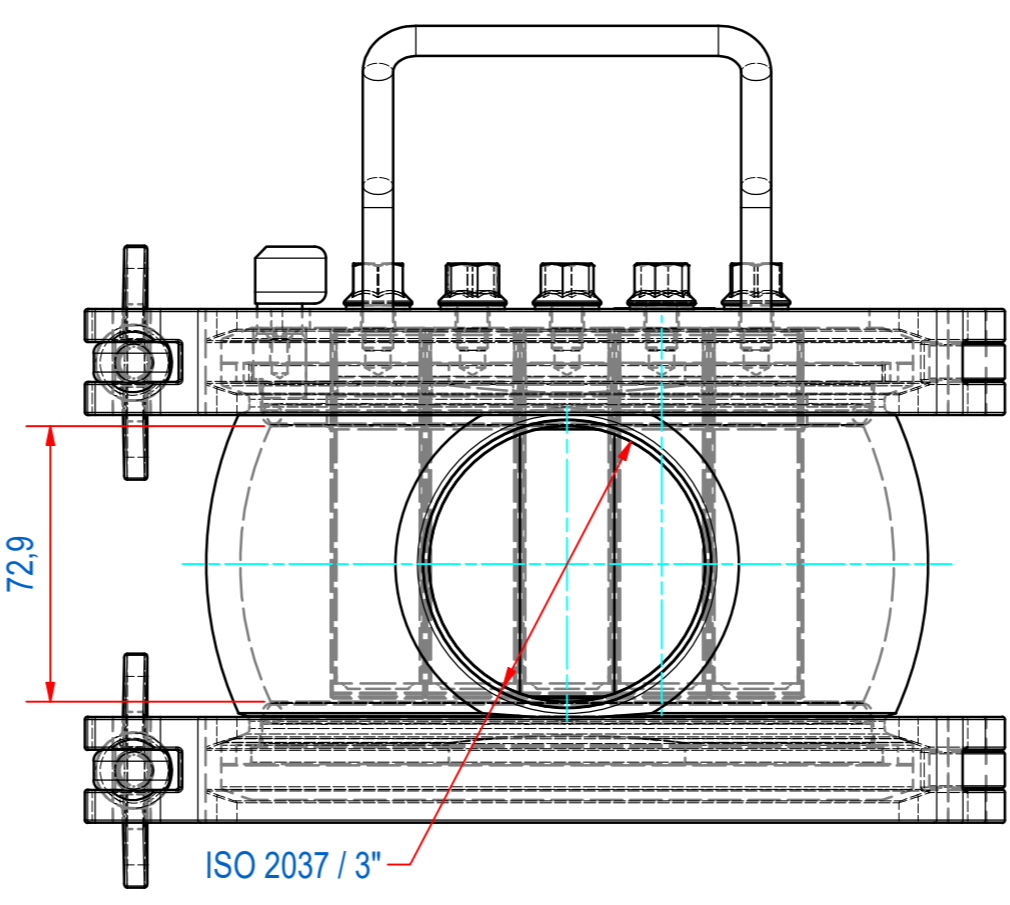
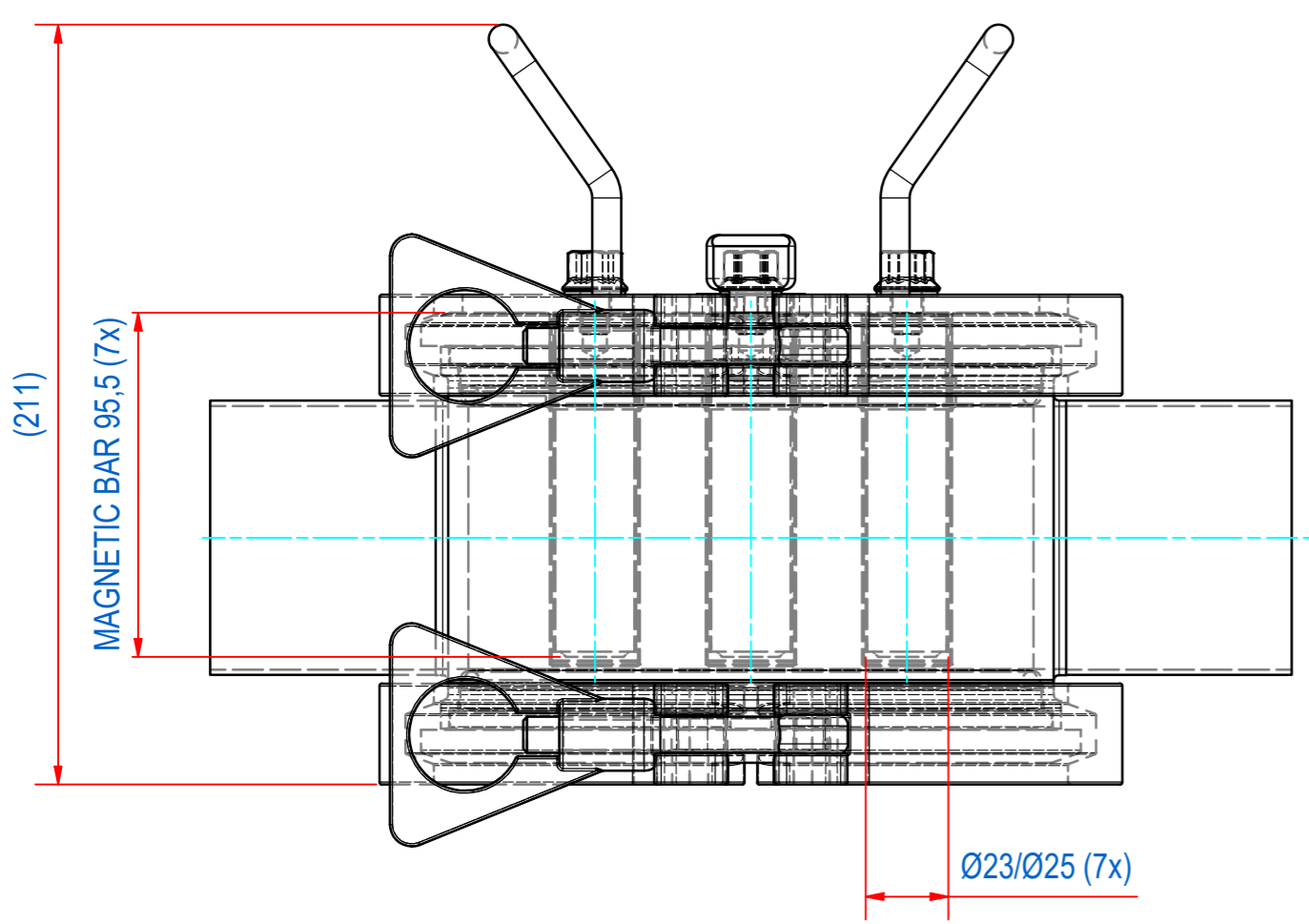
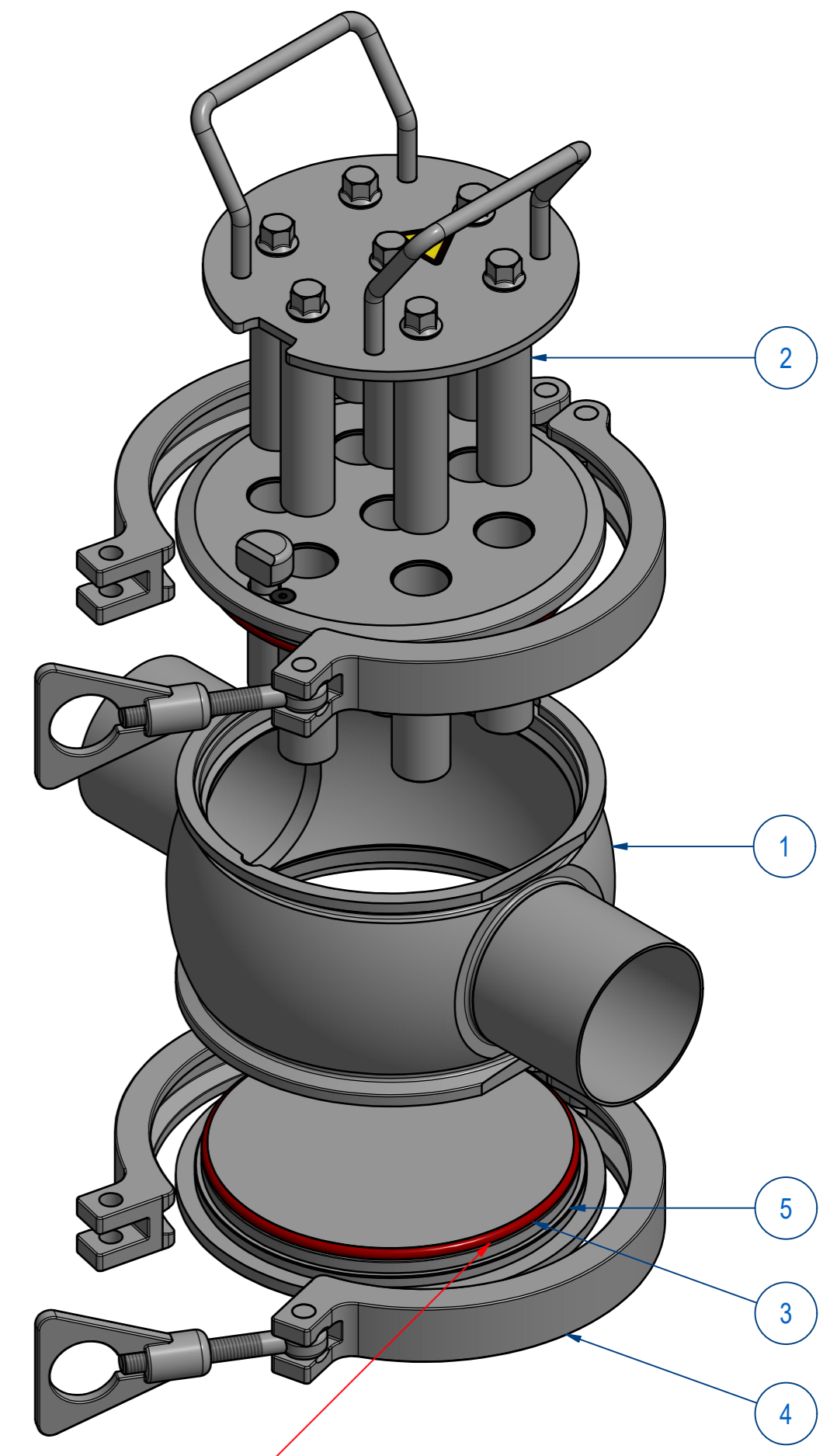
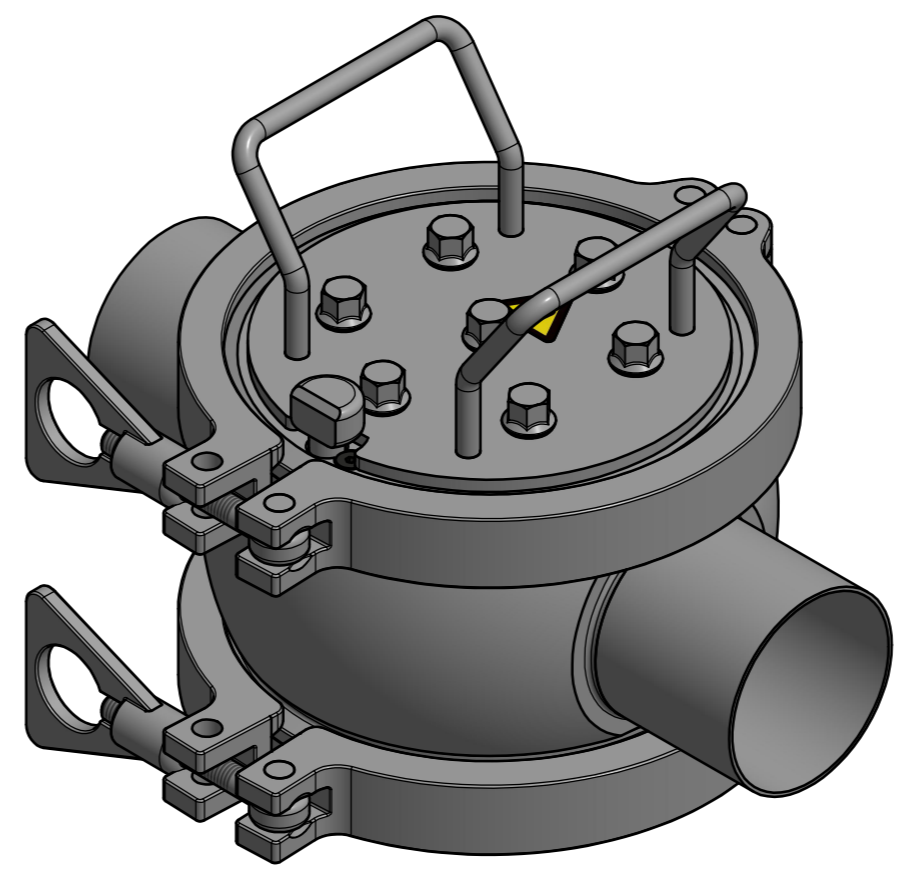
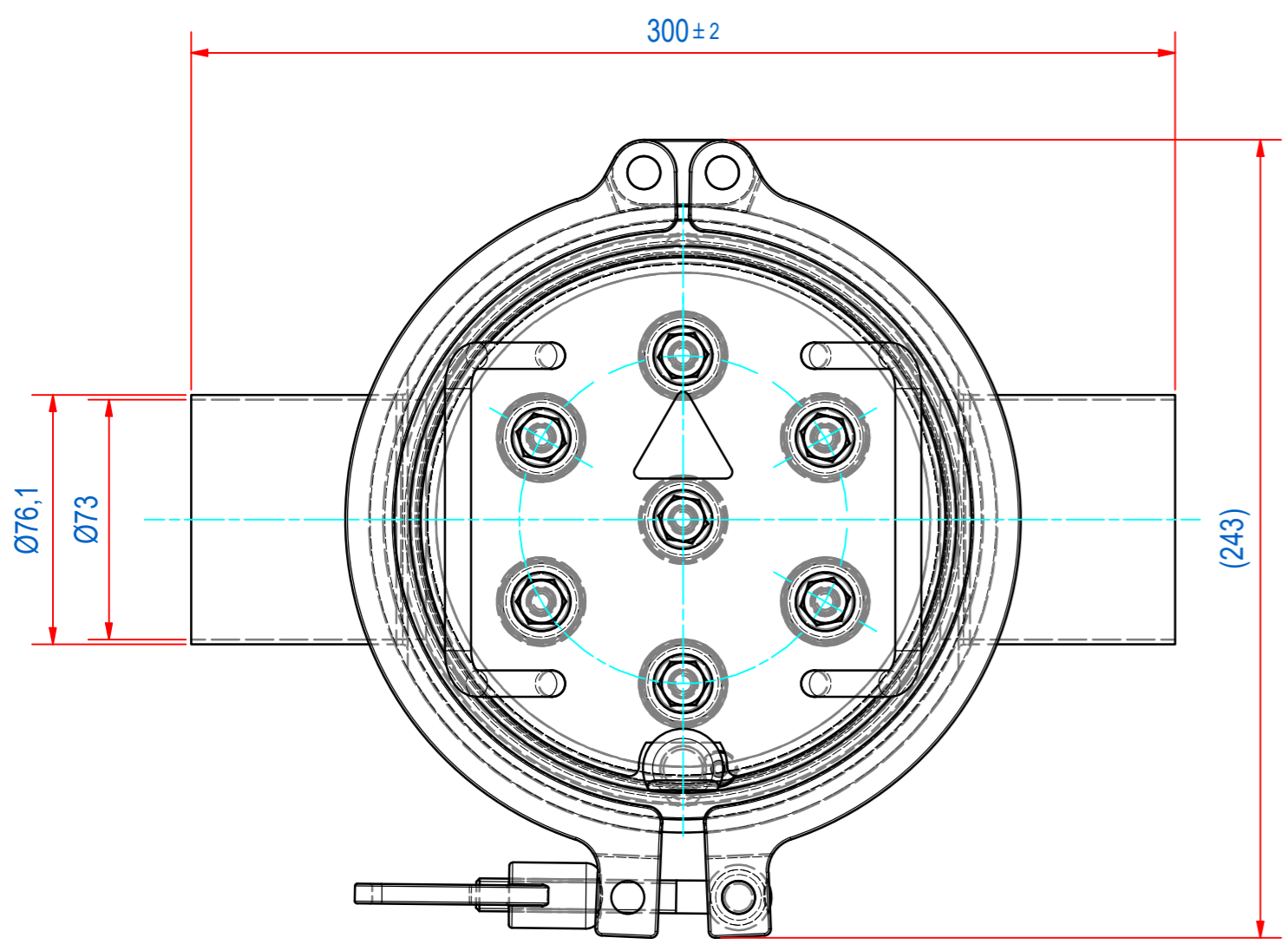


REV	DATE	BY	DESCRIPTION
-	22-7-2014	AvD	REFERENCE DRAWING E0018608
A	17-7-2015	AvD	DIMENSION CORRECTED (3")



SEAL CONFORM TO HYGIENIC DESIGN

ITEM	QTY	PART NUMBER	DESCRIPTION	Dimensions
5	1	E0016733	SFH-000 BOTTOM PLATE	
4	2	77.9630140	GPFI-TRI CLAMP D183	
3	2	E0018393	SFH-S-000-S O-RING RED EC1935	
2	1	E0019425	SFH-S-3"-07E-HT INSERT	
1	1	E0019416	SFH-3"-T2 HOUSE 316L	

RAW MAT.	Quantity: 1	Material Number	Material Description	Length (mm)	Width (mm)
Sheet:	A2	Extra info:	General tolerance:	ISO 2768 - mK	
Drawn:	AVD	Weight (kg): 19	Drawn according:	ISO286; ISO1101; ISO2553	
Date:	22-7-2014		Status:	Standard	
Spare part:	False	Source:	Customer reference number:		
Quick search:	SFH-3"		Document number:	E0019424	Doc.Rev: A
Description:	SFH-3"-T2-07E-HT-F5M-S-B-B-B		Part number:	E0019424	Rev: A



© All rights reserved. Reproduction is not permitted without written permission of GOUDSMIT Magnetic Systems BV