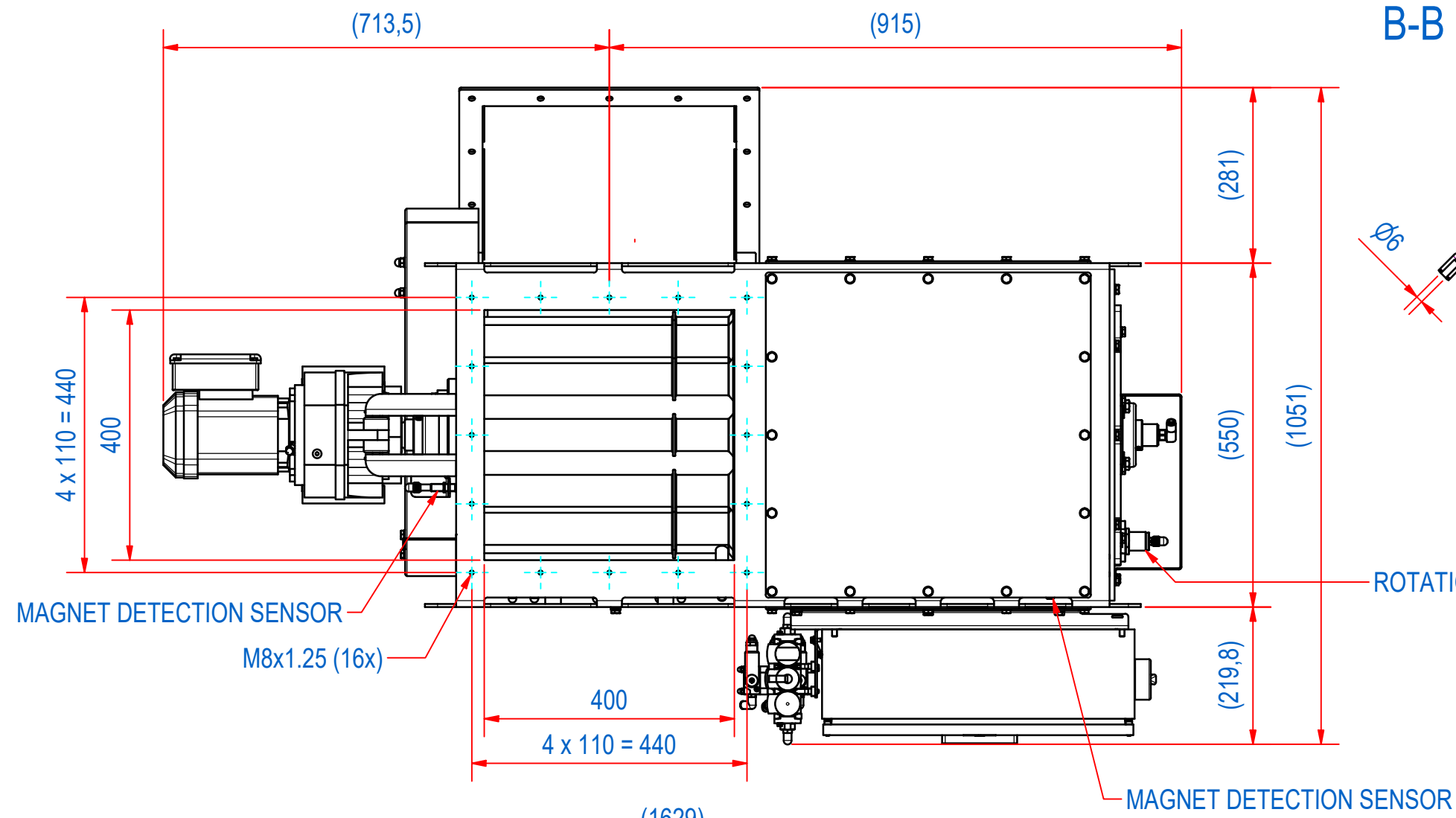
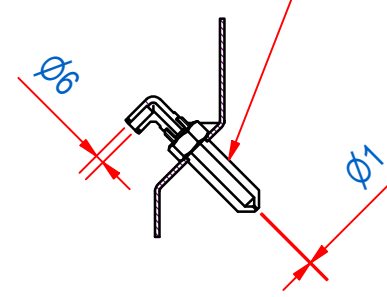


REV	DATE	BY	DESCRIPTION
-	8-11-2023	AvD	REFERENCE DRAWING SRCD320018



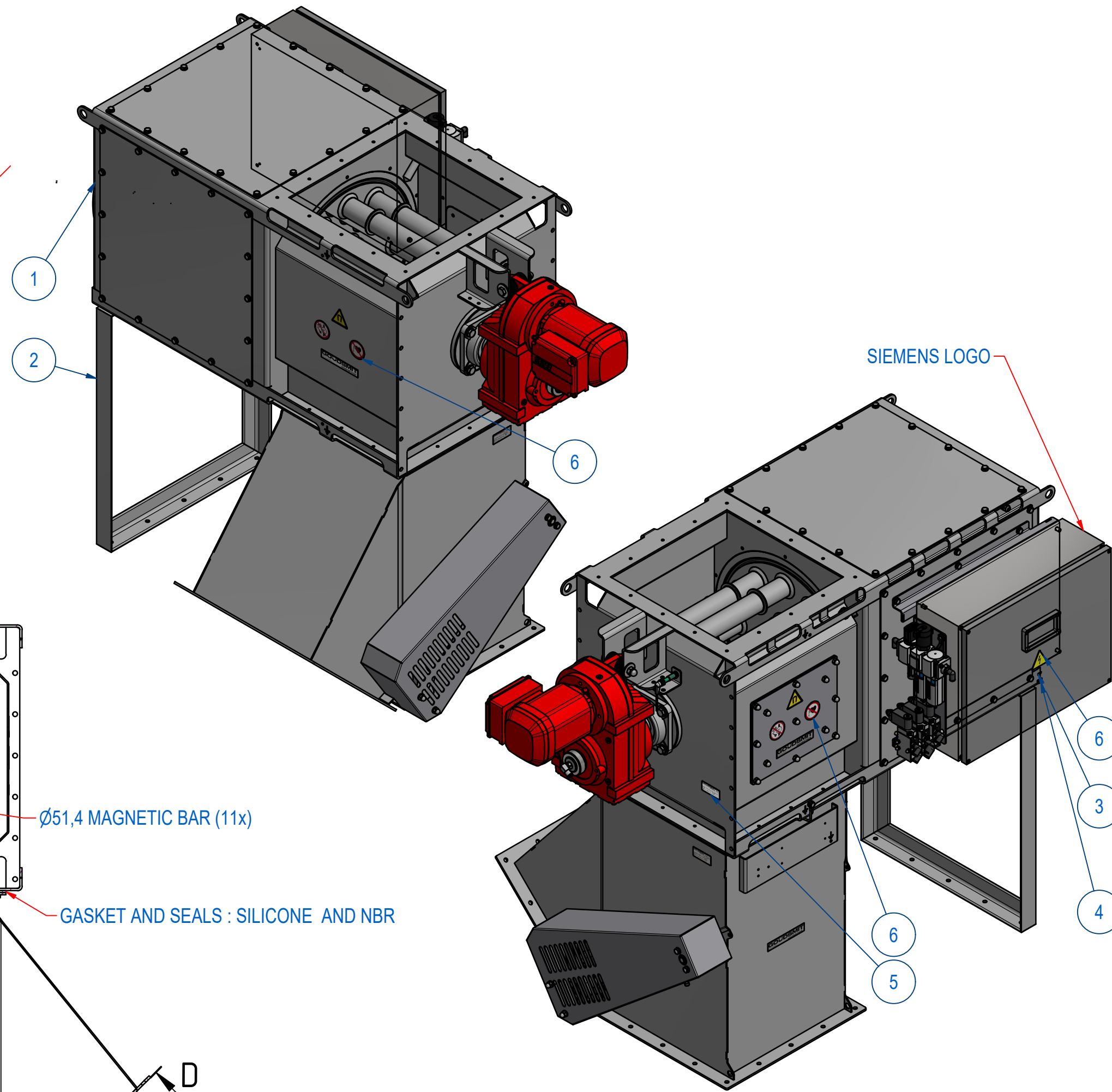
**B-B (1:5)**



GIVES A PULSE WHEN MAGNETIC BAR PASSING IF MACHINE IS CLEANED

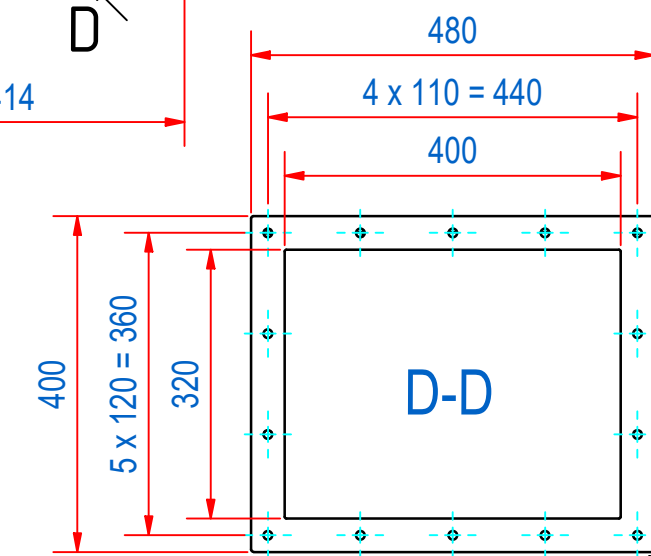
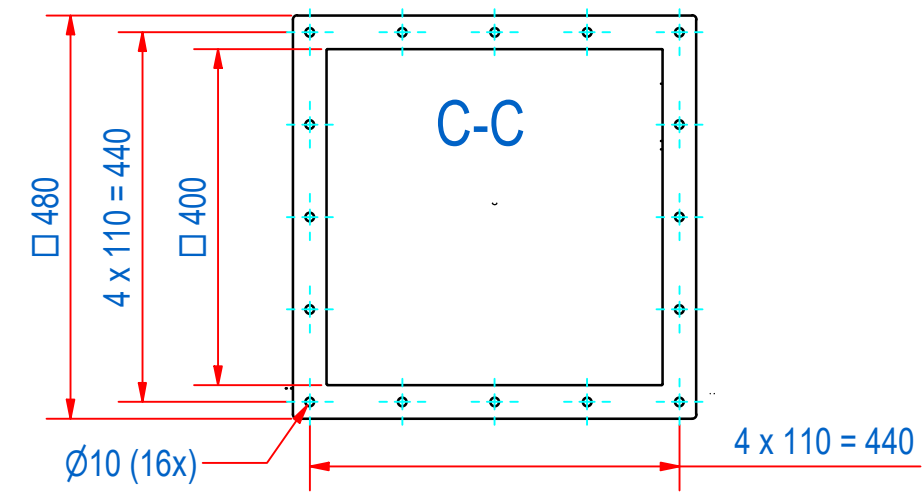
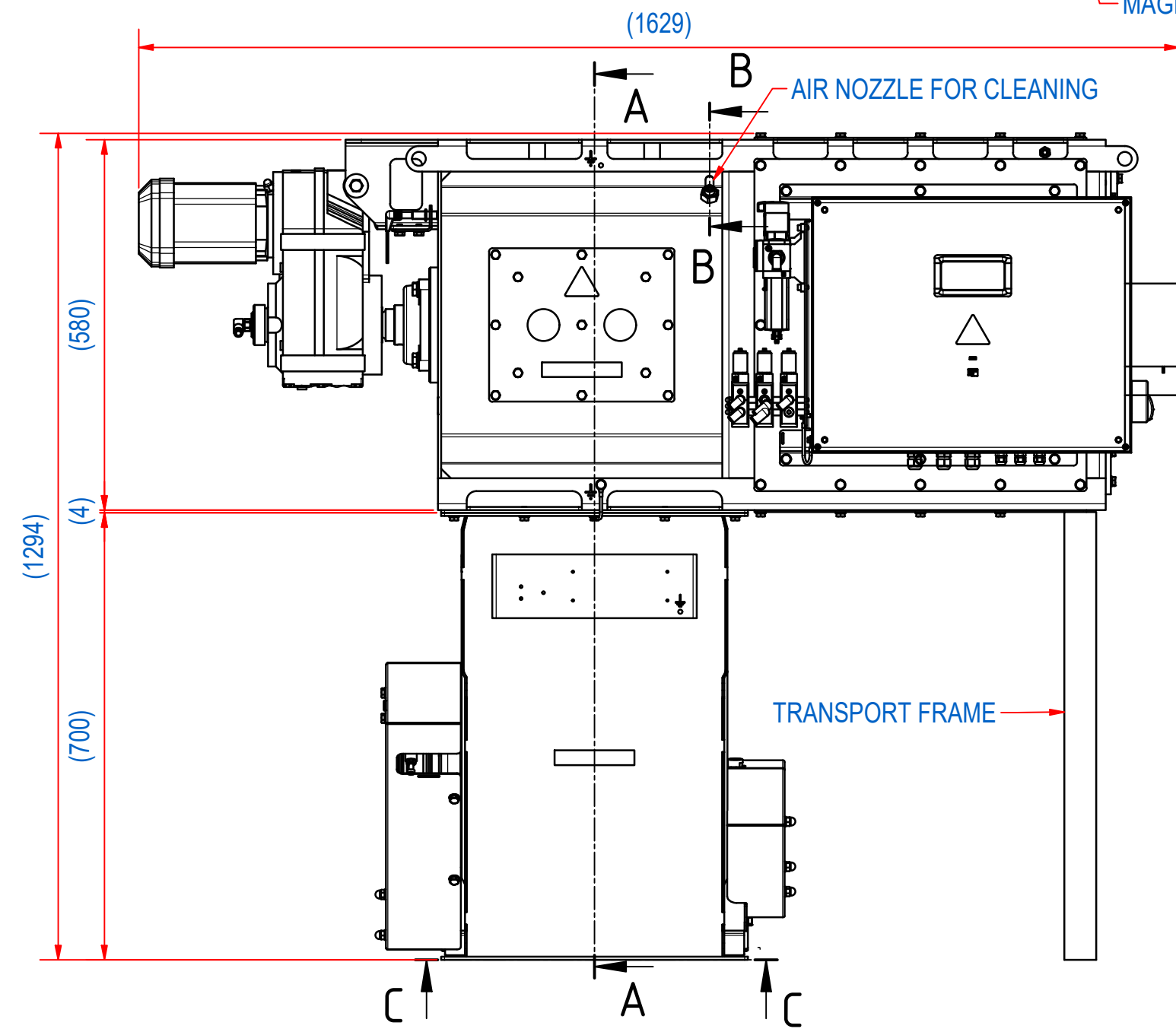
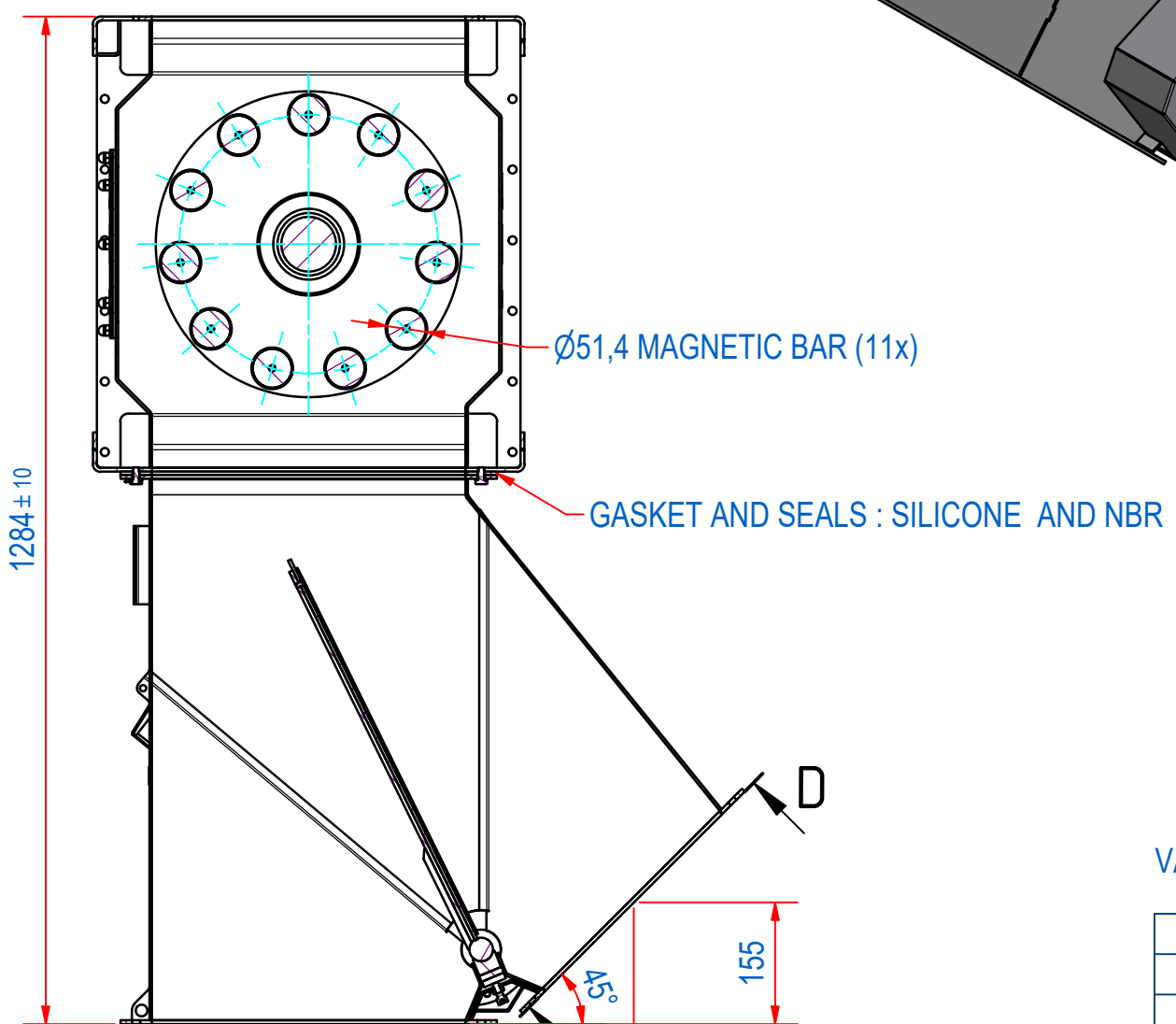
ROTATION SENSOR

FLOW DIRECTION



SIEMENS LOGO

**A-A**



VALVE BOX CAN BE MOUNTED IN FOUR DIRECTIONS (STANDARD AS ON DRAWING)

ITEM	QTY	PART NUMBER	DESCRIPTION	Dimensions
6	1	E0154563	STICKERS FOR SRCD	
5	1	E0083890	SRCD ATEX II 3D Ex h IIIC T130°C Dc	
4	1	A120417	SRCD-3232 LOGO WITH SPKK	
3	1	E0025799	SRCD/VALVE PNEUMATIC SCHEMA	
2	1	E0142434	SRCD-4040-TRANSPORT FRAME	
1	1	E0142424	SRCD-4040-11U-ES-V-L ASSY	

RAW MAT.	Quantity	Material Number	Material Description	Length (mm)	Width (mm)
⊕	1	A2	CLEANFLOW MAGNETIC ROTATING SIEMENS LOGO CONTROL		

Drawn: CR	Weight (kg): 390	<p>© All rights reserved. Reproduction is not permitted without written permission of GOUDSMIT Magnetic Systems BV</p>	General tolerance: ISO 2768 - fH
Date: 23-4-2021	Spare part: False		Drawn according: ISO286; ISO1101; ISO2553
Quick search: SRCD-4040	Description: SRCD-4040-11U-ES-F1H-V-L-B-F-S-X3	Status: Released	Customer reference number: E0142433
		Document number: E0142433	Doc.Rev: -
		Part number: E0142433	Rev: -