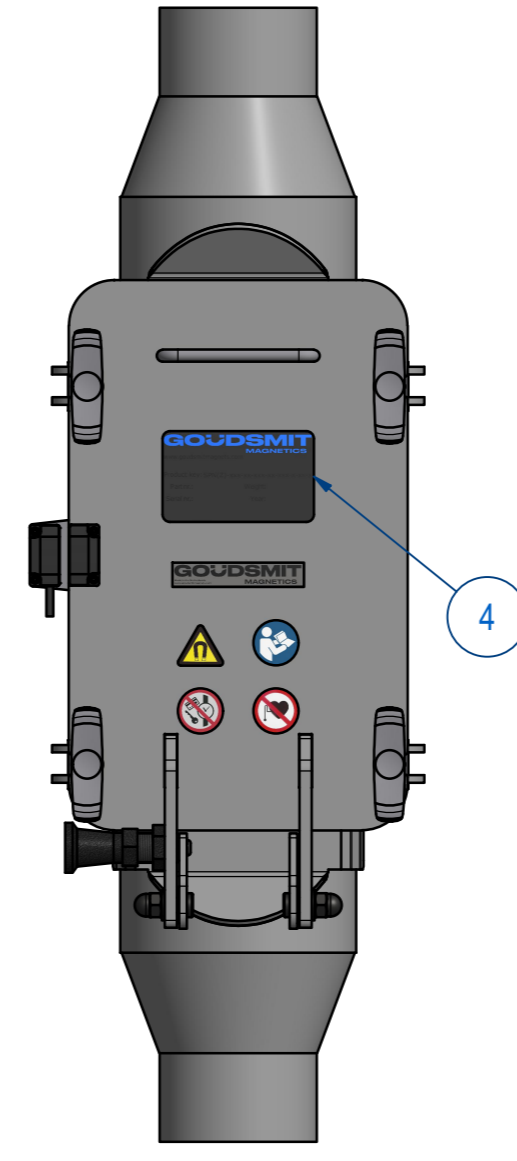
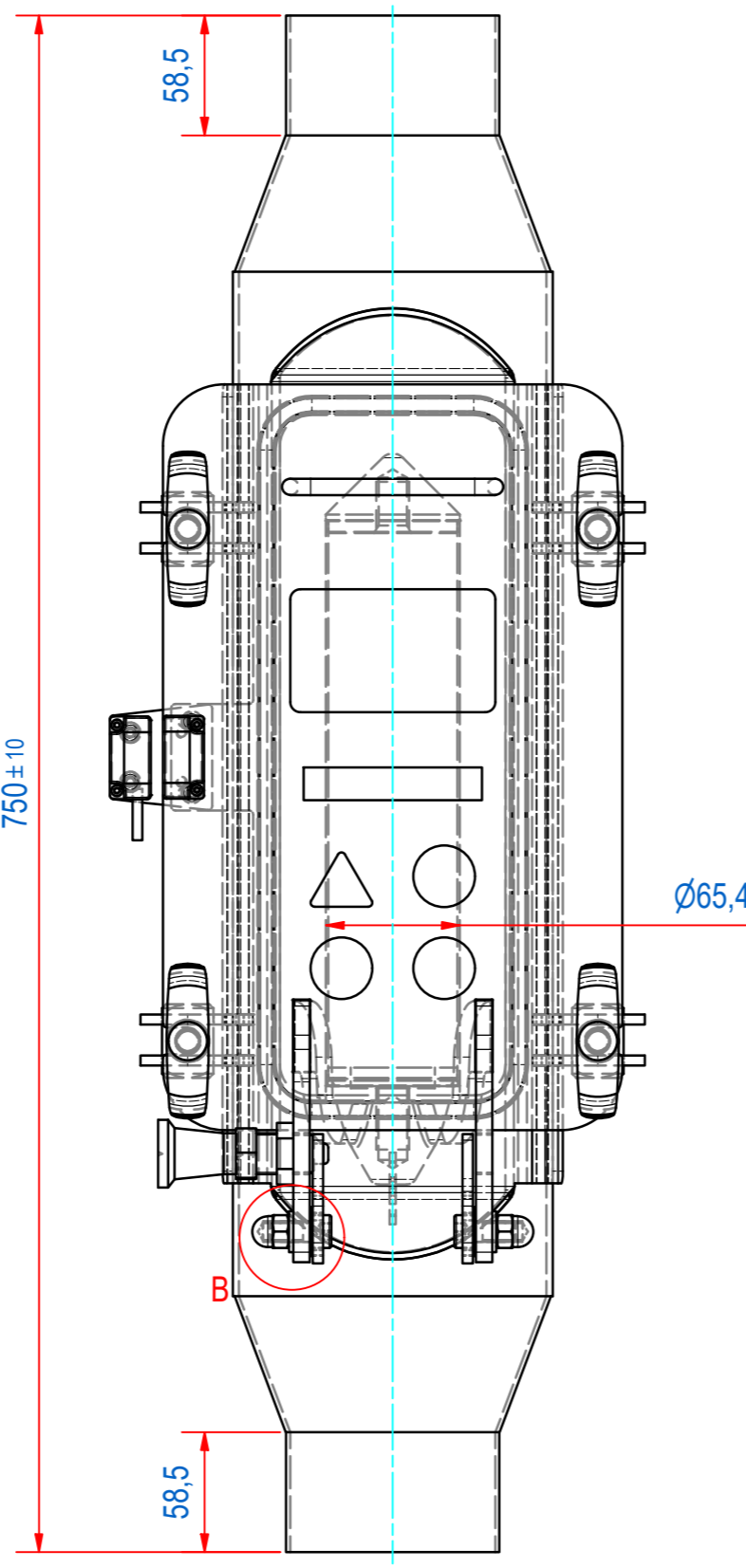
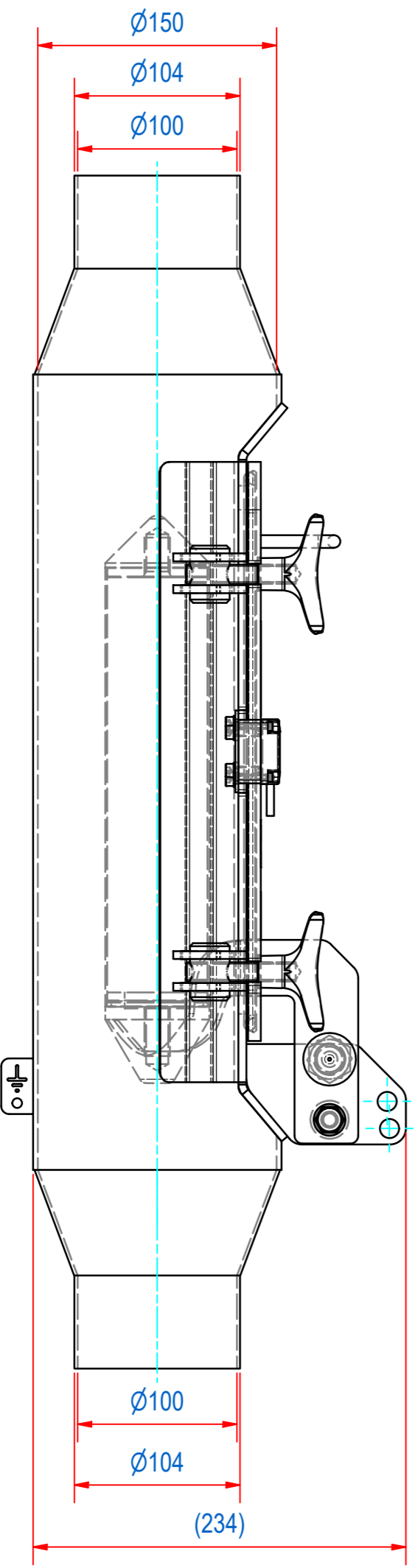
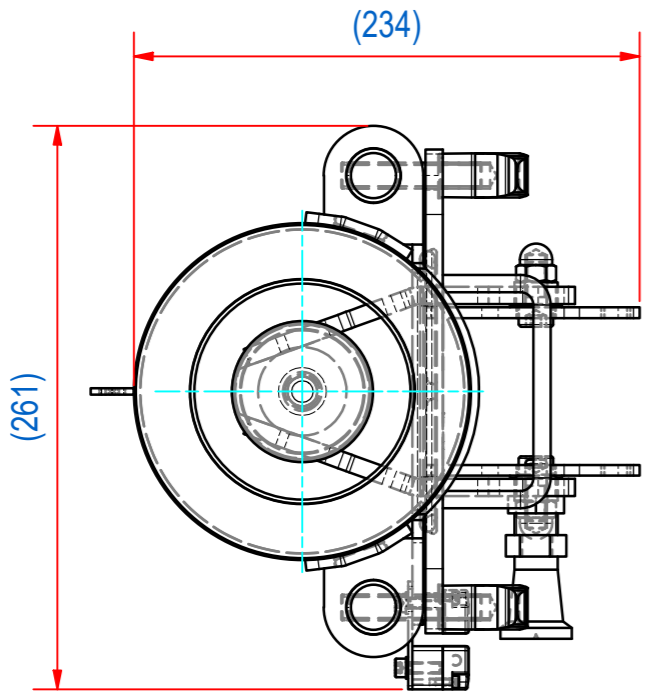
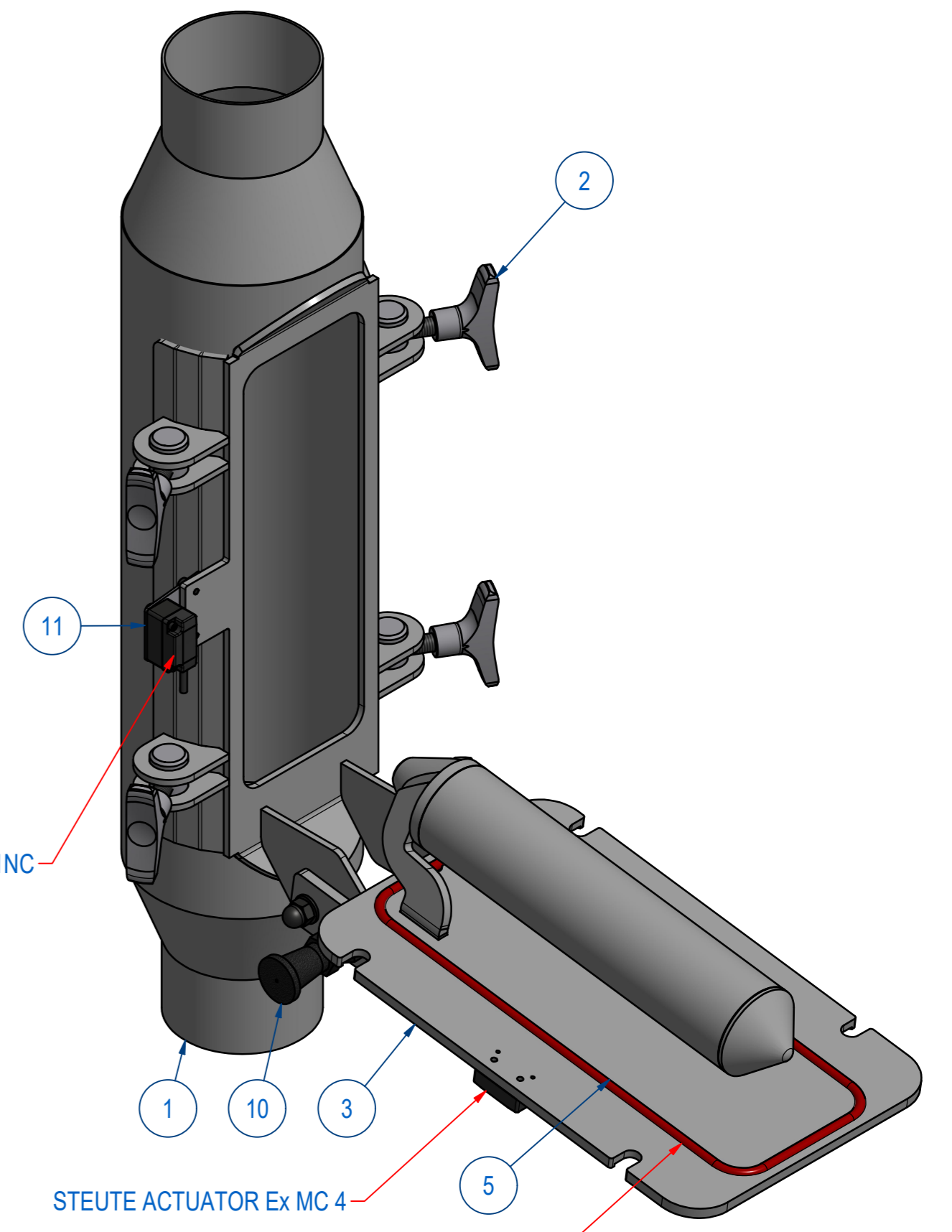


DOC.NR.	REV	DATE	BY	DESCRIPTION
E0161038	-	17-8-2023	AvD	REFERENCE DRAWING E0153778

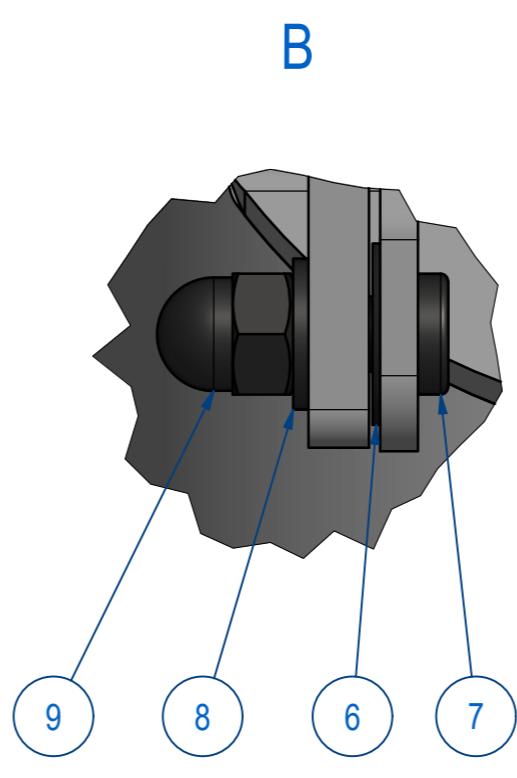


SAFETY SENSOR STEUTE Ex HS-Si-4 1NO+1NC



STEUTE ACTUATOR Ex MC 4

SEAL: O-RING SILICONE RED EC1935/2004



ITEM	QTY	PART NUMBER	DESCRIPTION	Dimensions
11	1	E0158569	SPN-000-STEUTE HS Si 4 Ex UNIT	
10	1	1005.90003	INDEXING PLUNGER D10 M20x1,5SS	
9	2	60.3300010	NUT, HEX CAP M10 - A4	M10
8	2	70.0300010	WASHER M10 - A4	M10
7	2	51.0310020	SCREW, HEX SH M10x20-A4	M10 x 20
6	2	15.0011618	BEARING IGLIDUR GFM-1618-06	
5	1	E0160974	SPN-S-O-RING SILIC. RED	
4	1	E0153785	SPN-000-TYPE PLATE+STICKERS	
3	1	E0160973	SPN-S-000-DOOR MAGNET INSERT	
2	4	E0153767	SPN-000 TOGGLE M12	
1	1	E0161039	SPN-100-T1-HOUSE	

RAW MAT.	Quantity	Material Number	Material Description	General tolerance:	Length (mm)	Width (mm)
⊕	1	A2	MAGNETIC FILTER	ISO 2768 - mK		
Drawn:	AvD	Weight (kg):	25	Drawn according:	ISO286; ISO1101; ISO2553	
Date:	17-8-2023			Status:	Released	
Spare part:	False	Source:		Customer reference number:		
Quick search:	SPN-100		<p>© All rights reserved. Reproduction is not permitted without written permission of GOLDSMIT Magnetic Systems BV</p>	Document number:	E0161038	Doc.Rev:
Description:	SPN-100-T1-01K-HT-F1m-S-T2-B			Part number:	E0161038	Rev: