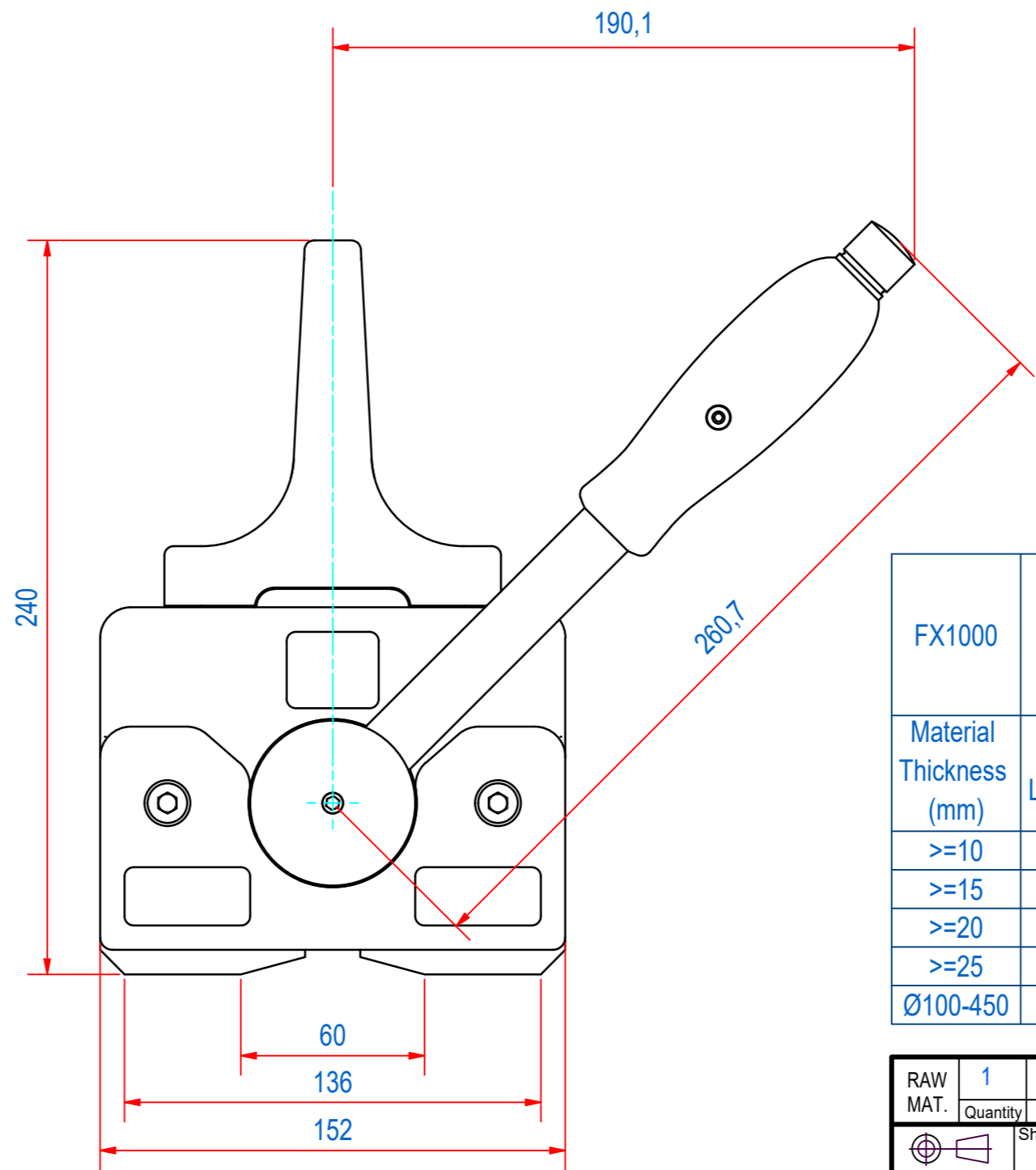
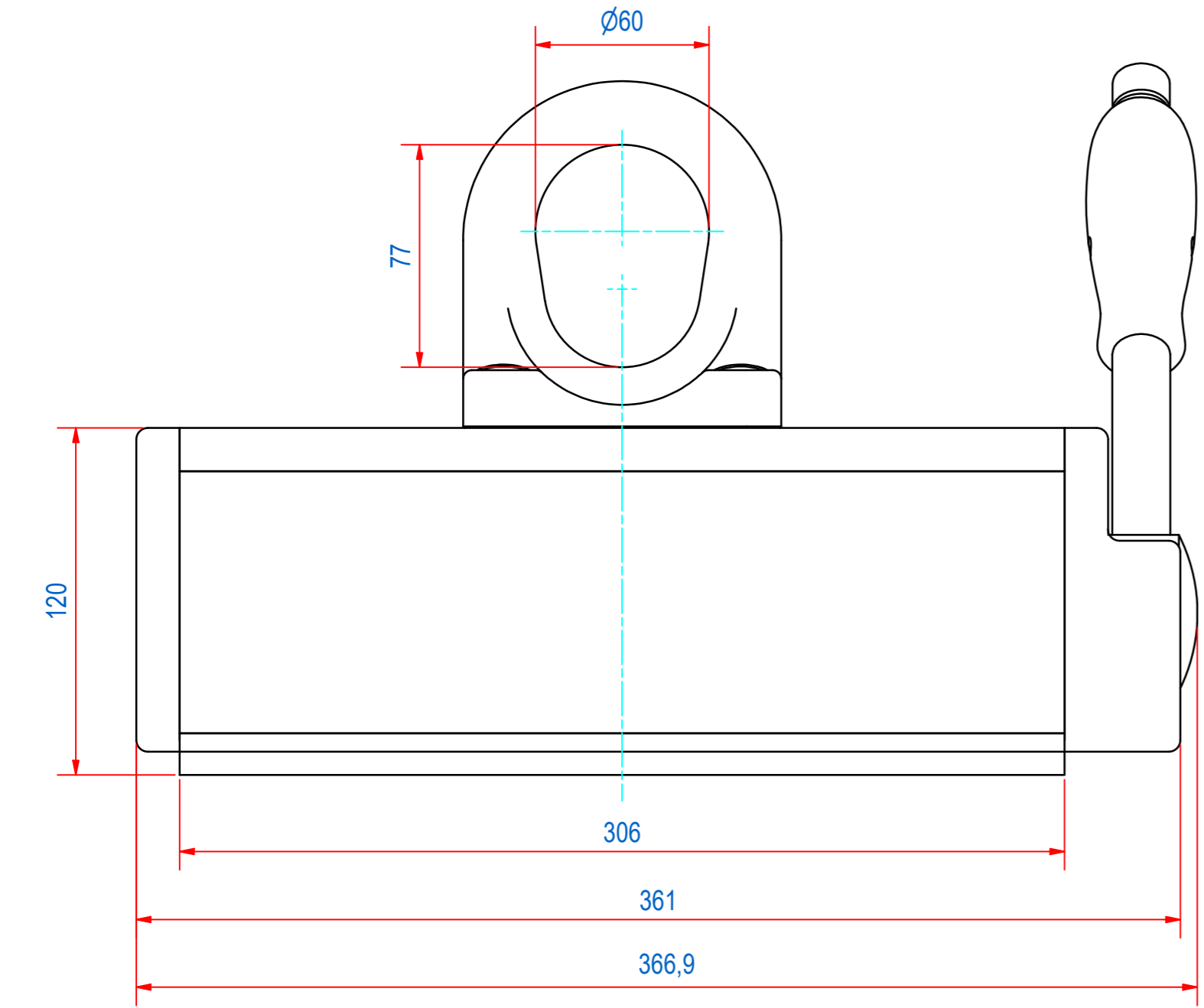
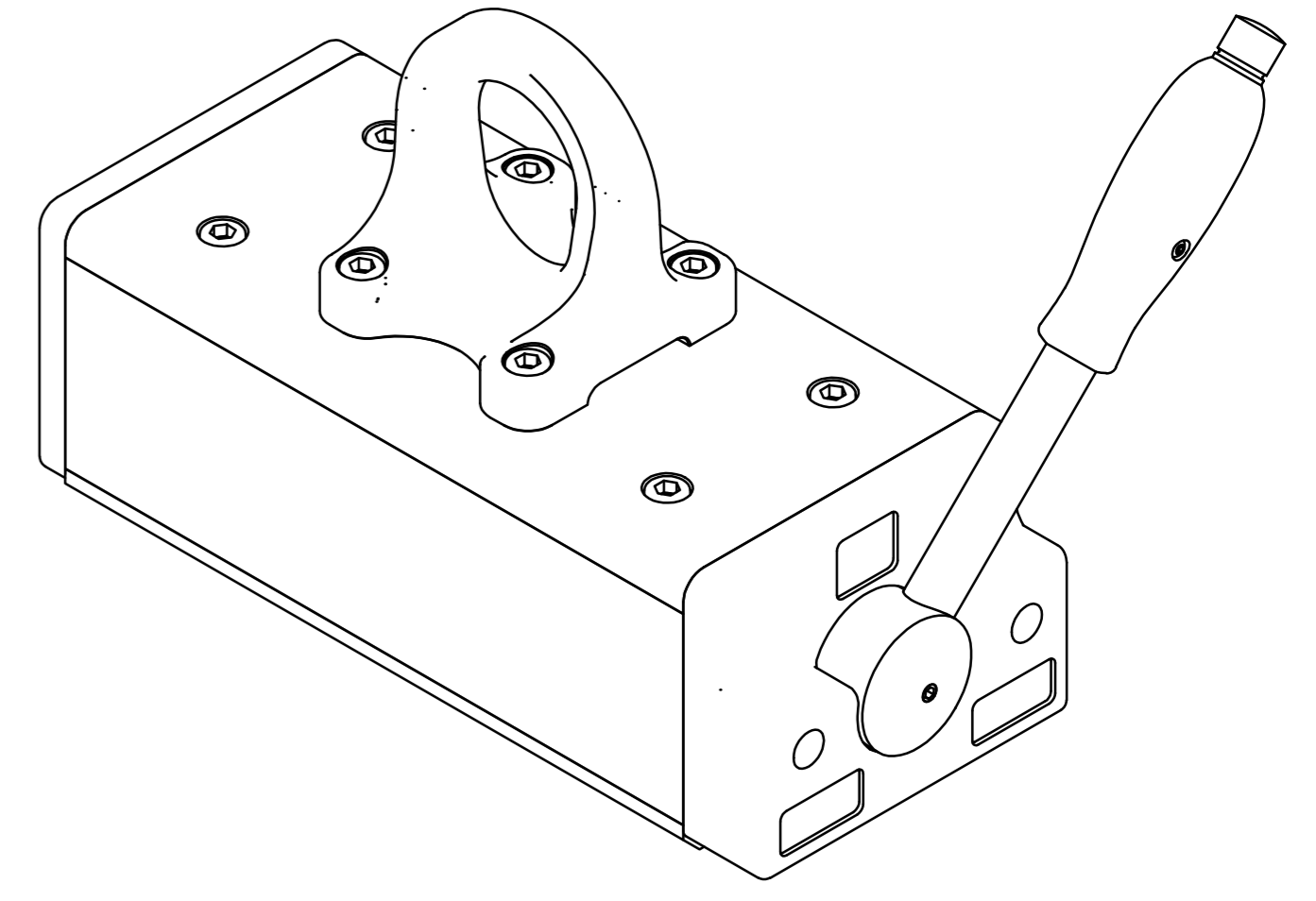
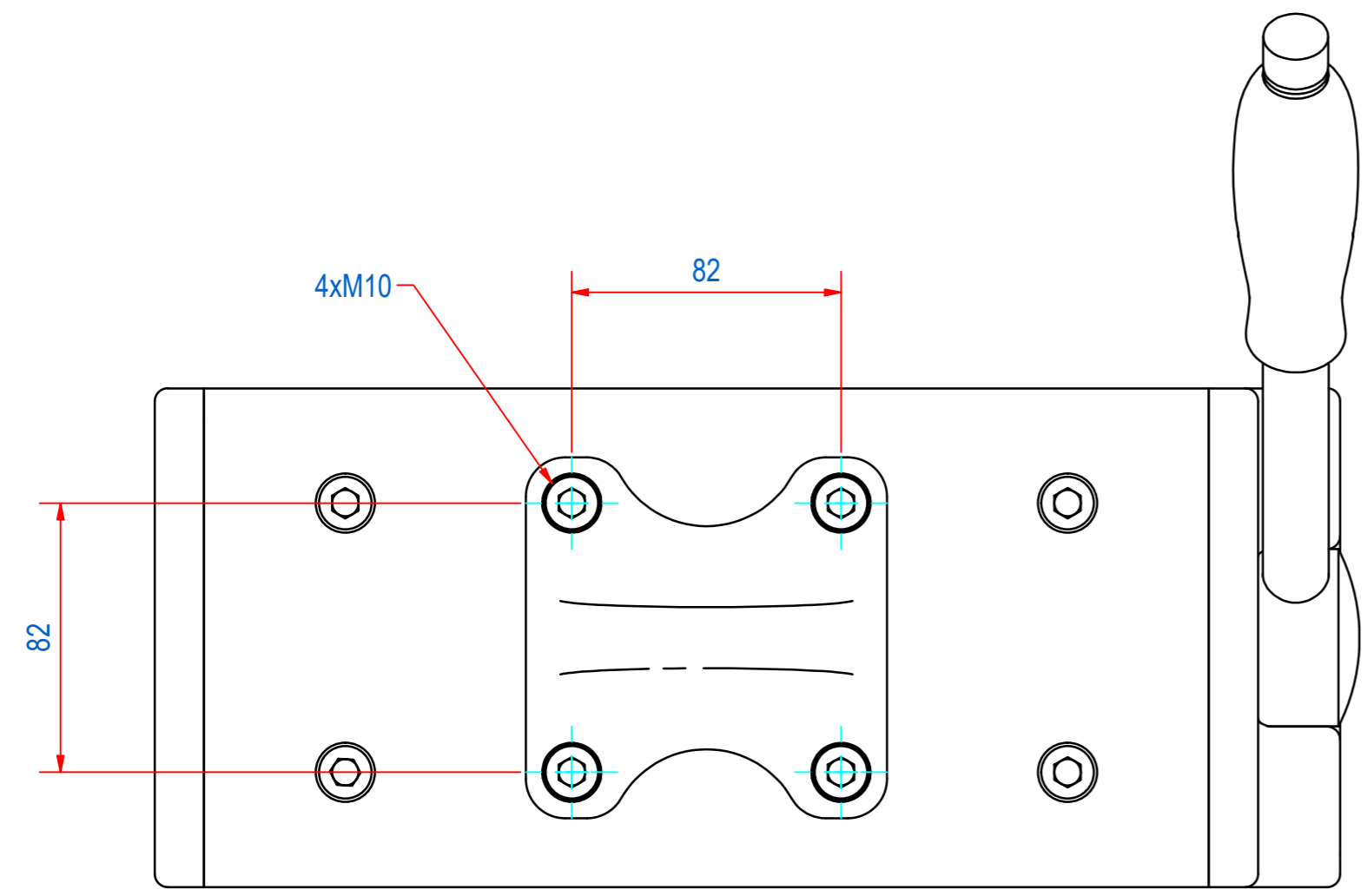


DOC.NR.	REV	DATE	BY	DESCRIPTION
E0161873	-	15-10-2024	EP	ORIGINAL DRAWING
E0161873	B	16-10-2024	EP	REMOVED ISA LENGTH



FX1000	Air gap <0,3mm			Air gap 0,3-0,5mm			Air gap 0,5-0,6mm		
Material Thickness (mm)	Max. Load (kg)	Max. L (mm)	Max. B (mm)	Max. Load (kg)	Max. L (mm)	Max. B (mm)	Max. Load(kg)	Max. L (mm)	Max. B (mm)
>=10	350	2250	1500	300	2250	1500	260	2250	1250
>=15	600	2500	1500	500	2500	1500	450	2500	1250
>=20	900	3000	1500	750	3000	1500	675	3000	1250
>=25	1000	3500	1500	850	3500	1500	750	3500	1250
Ø100-450	500	4500	-	400	4500	-	330	4500	-

RAW MAT.	1	Quantity	Material Number	Material Description	Length (mm)	Width (mm)
Drawn:	EP	Weight (kg):	42	General tolerance: ISO 2768 - mK		
Date:	13-10-2023	Drawn according: ISO286; ISO1101; ISO2553			Status: Released	
Spare part:	False	Customer reference number:			Document number: E0161873 Doc.Rev: B	
Quick search:	FX-1000	Description: HPL-RA-1000-152x361-120-FE			Part number: E0161873 Rev: B	



© All rights reserved. Reproduction is not permitted without written permission of GOUDSMIT Magnetic Systems BV