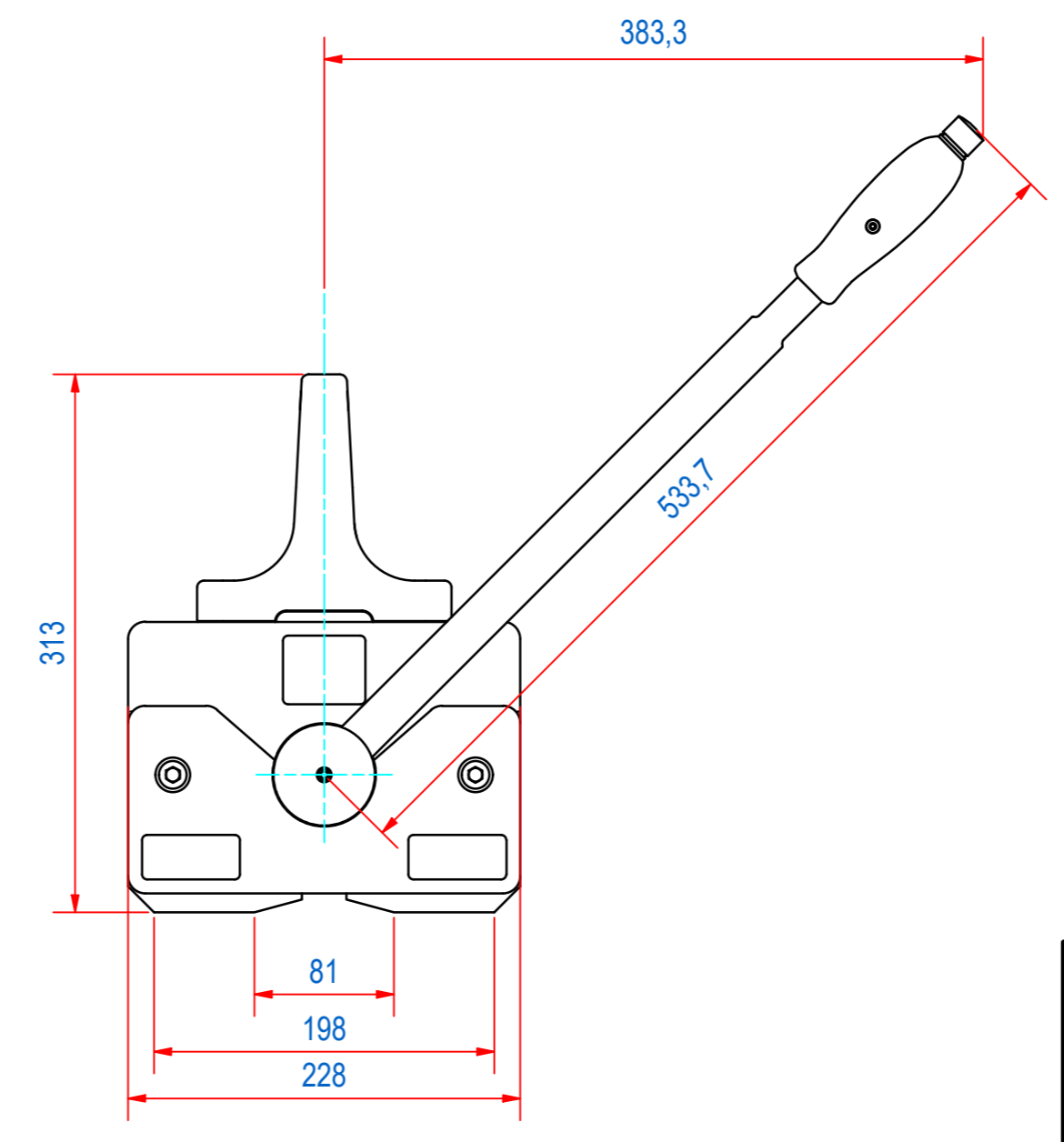
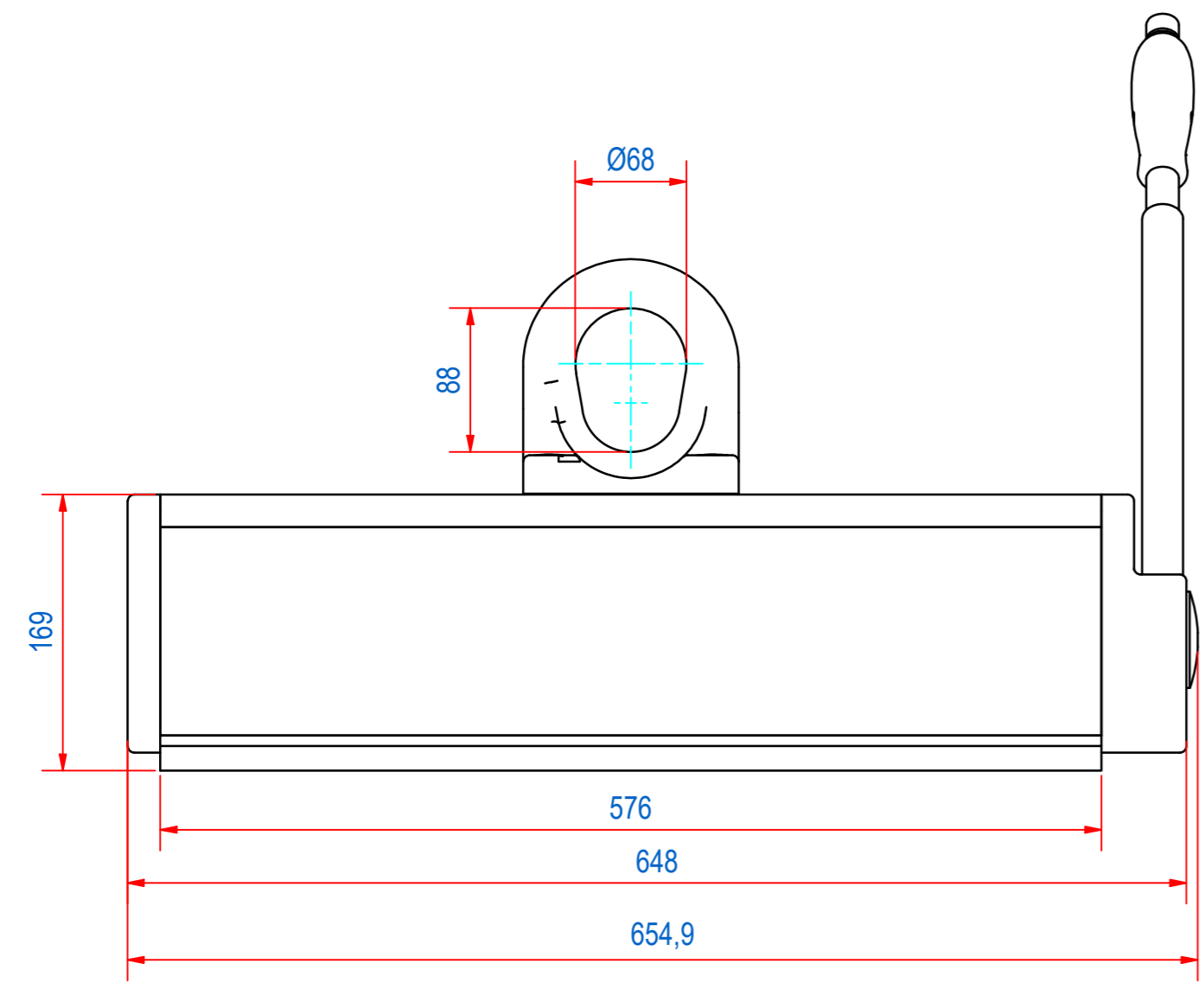
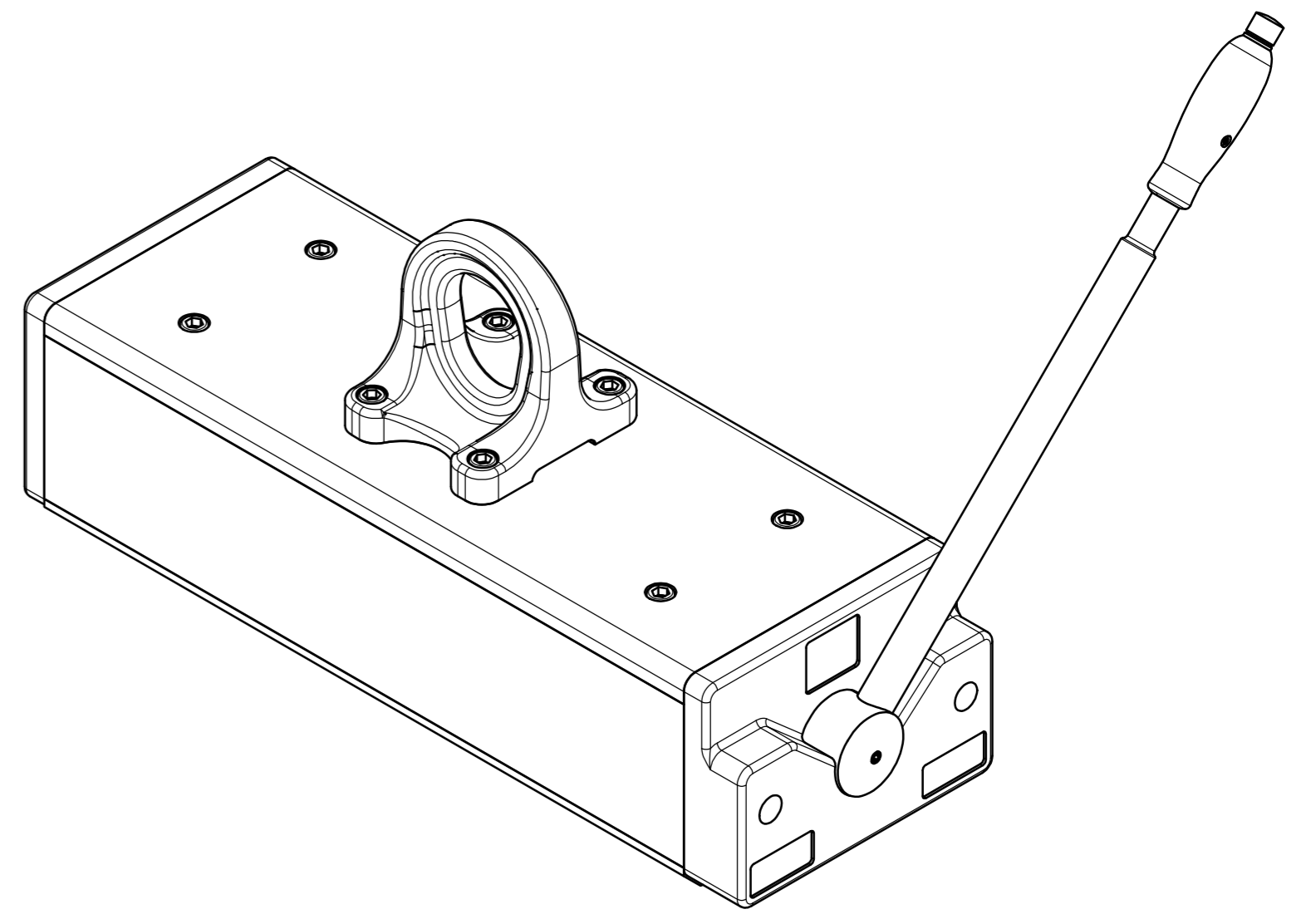
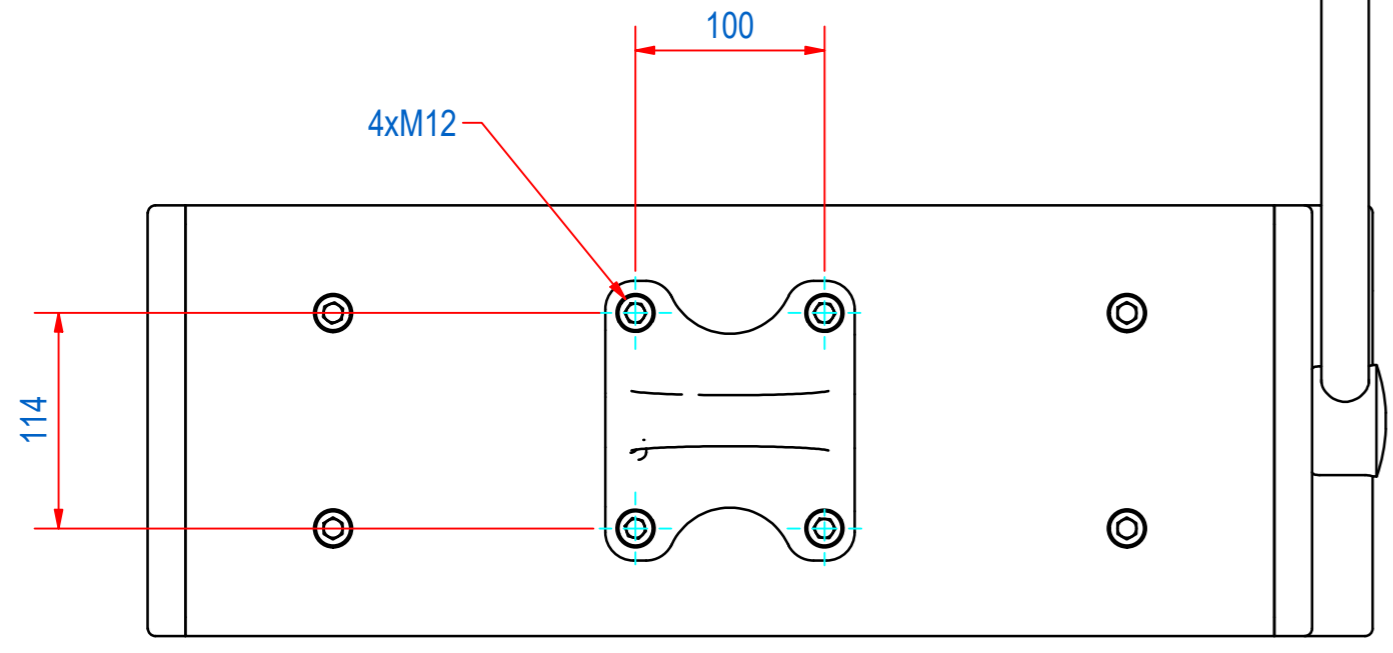


3	2	1		
DOC.NR.	REV	DATE	BY	DESCRIPTION
E0161876	A	16-10-2024	EP	ORIGINAL DRAWING



FX3000	Air gap <0,3mm			Air gap 0,3-0,6mm			Air gap 0,6-0,8mm		
Material Thickness (mm)	Max. Load (kg)	Max. L (mm)	Max. B (mm)	Max. Load (kg)	Max. L (mm)	Max. B (mm)	Max. Load (kg)	Max. L (mm)	Max. B (mm)
>=15	750	2500	2500	600	3000	2500	500	2500	2000
>=25	1800	3000	2500	1400	3000	2500	1200	3000	2000
>=40	2400	3500	2500	2000	3000	2500	1600	3000	2000
>=50	3000	4000	2500	2400	3000	2500	2000	3000	2000
Ø120-600	1500	5000	-	1200	5000	-	1000	4000	-

RAW MAT.	1	Quantity	Material Number	Material Description	Length (mm)	Width (mm)
Drawn:	EP	Weight (kg):	170	General tolerance: ISO 2768- mK		
Date:	13-10-2023	Drawn according: ISO286; ISO1101; ISO2553			Status: Released	
Spare part:	False	Customer reference number:			Document number: E0161876 Doc.Rev: A	
Quick search:	FX-3000	Description: HPL-RA-3000-228x648-169-FE			Part number: E0161876 Rev: A	



© All rights reserved. Reproduction is not permitted without written permission of GOUDSMIT Magnetic Systems BV