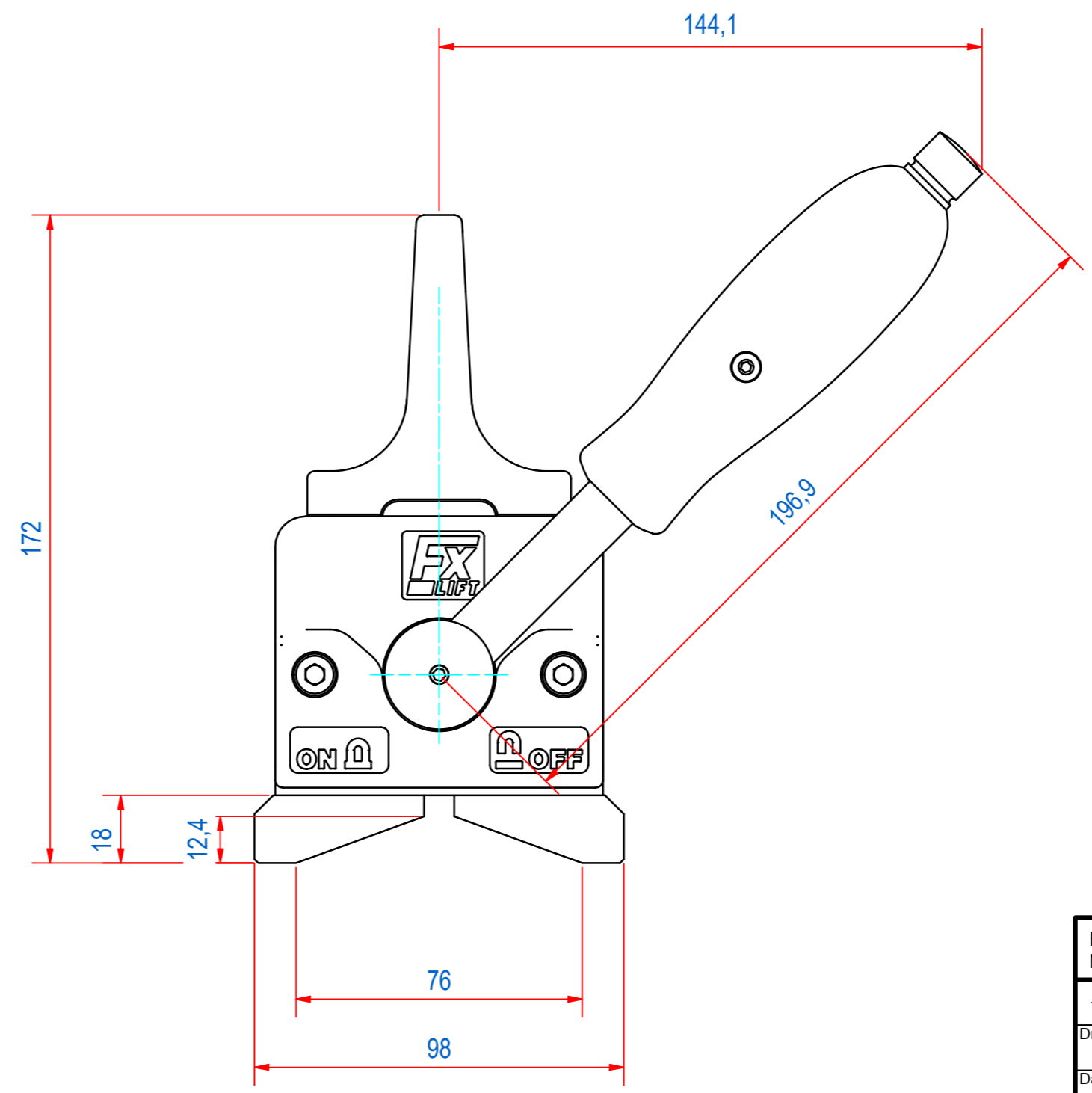
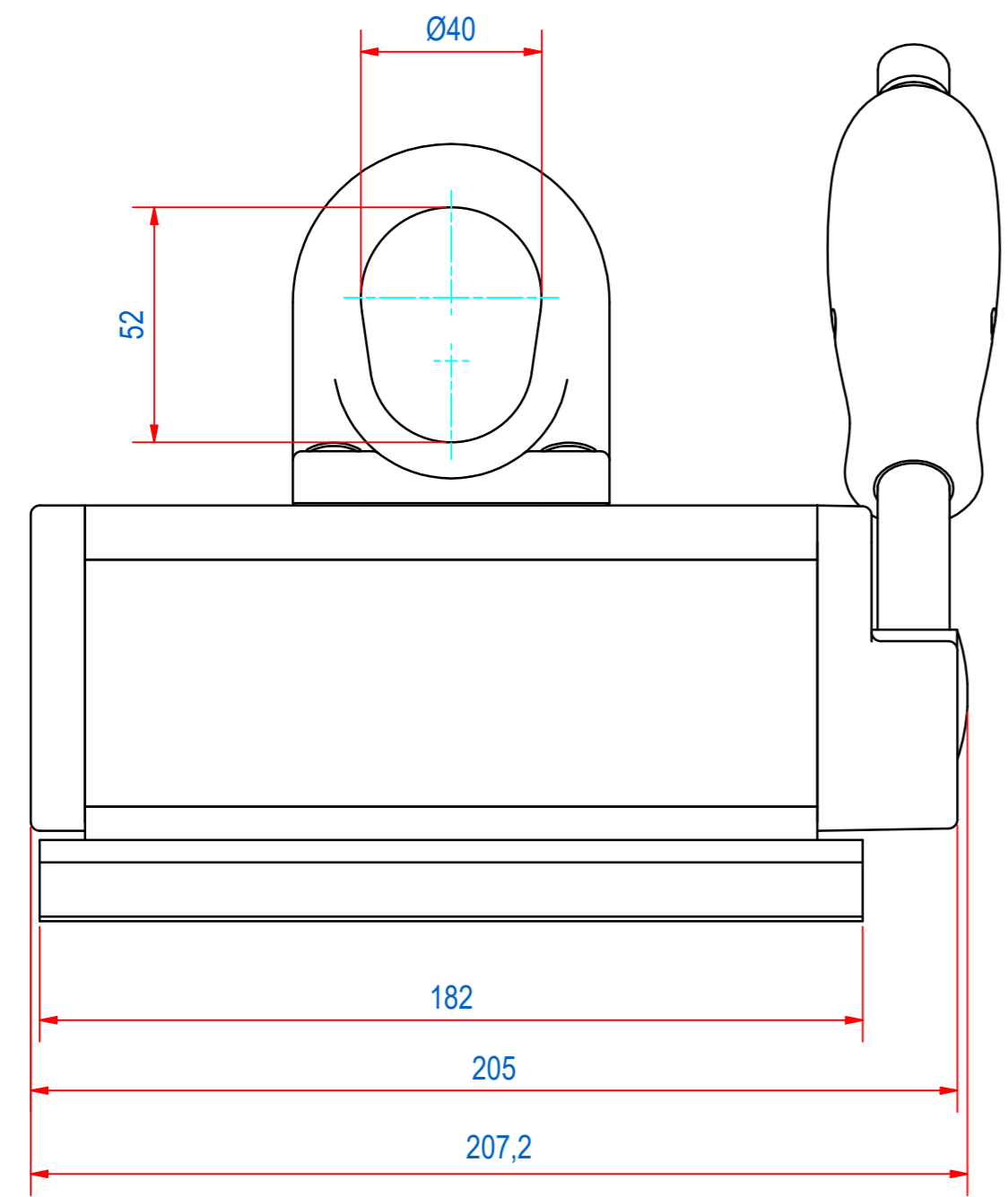
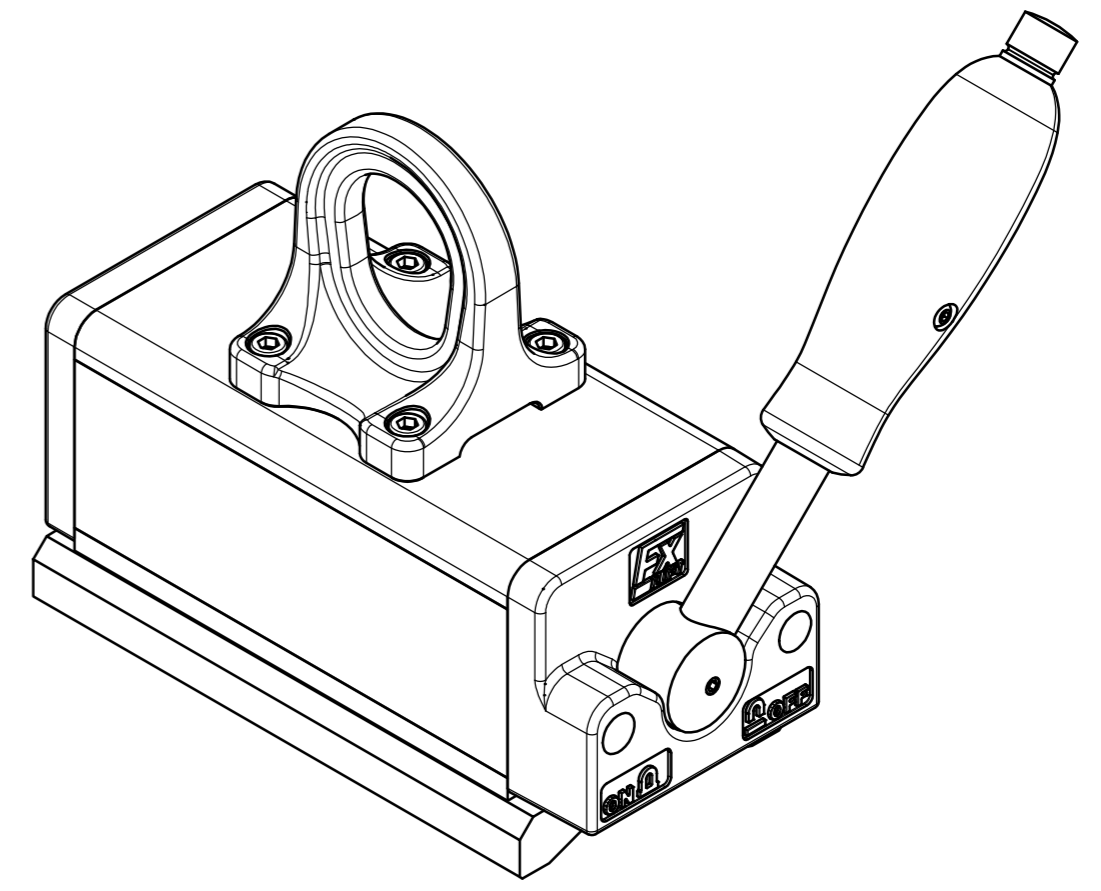
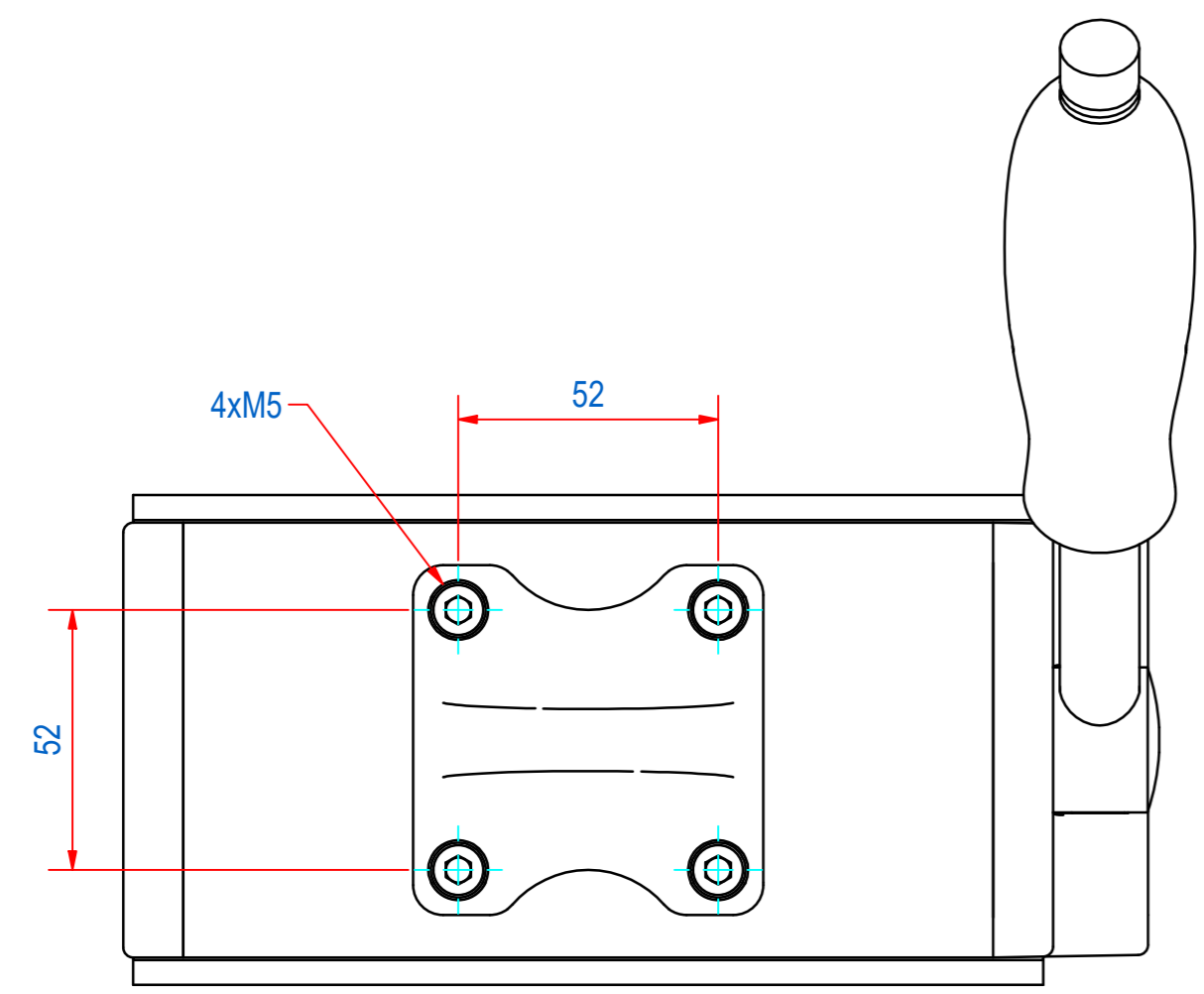


DOC.NR.	REV	DATE	BY	DESCRIPTION
E0161881	-	16-10-2024	EP	ORIGINAL DRAWING
E0161881	A	16-10-2024	EP	ADDED CORRECT WEIGHT



FX-R225	Air gap <0,1mm		Air gap 0,1- 0,3mm			Air gap 0,3- 0,5mm			
Material Thickness (mm)	Max. Load (kg)	Max. L (mm)	Max. B (mm)	Max. Load (kg)	Max. L (mm)	Max. B (mm)	Max. Load (kg)	Max. L (mm)	Max. B (mm)
>=4	80	1600	1000	60	1500	1000	40	1250	1000
>=8	180	2000	1250	150	2000	1250	120	1500	1250
>=10	225	2250	1250	200	2000	1250	150	1500	1250
Ø50-205	225	3000	-	200	2500	-	150	2000	-

RAW MAT.	1	Quantity	Material Number	Material Description	Length (mm)	Width (mm)
Sheet:	A2	Extra info:		General tolerance: ISO 2768- mK		
Drawn:	EP	Weight (kg):	9,5	Drawn according: ISO286; ISO1101; ISO2553		
Date:	13-10-2023	Status:		Released		
Spare part:	False	Customer reference number:		E0161881		
Quick search:	FX-R225	Document number:		E0161881	Doc.Rev: A	
Description:	HPL-RA-0225-098x205-090-FE			Part number:	E0161881	Rev: A



© All rights reserved. Reproduction is not permitted without written permission of GOUDSMIT Magnetic Systems BV