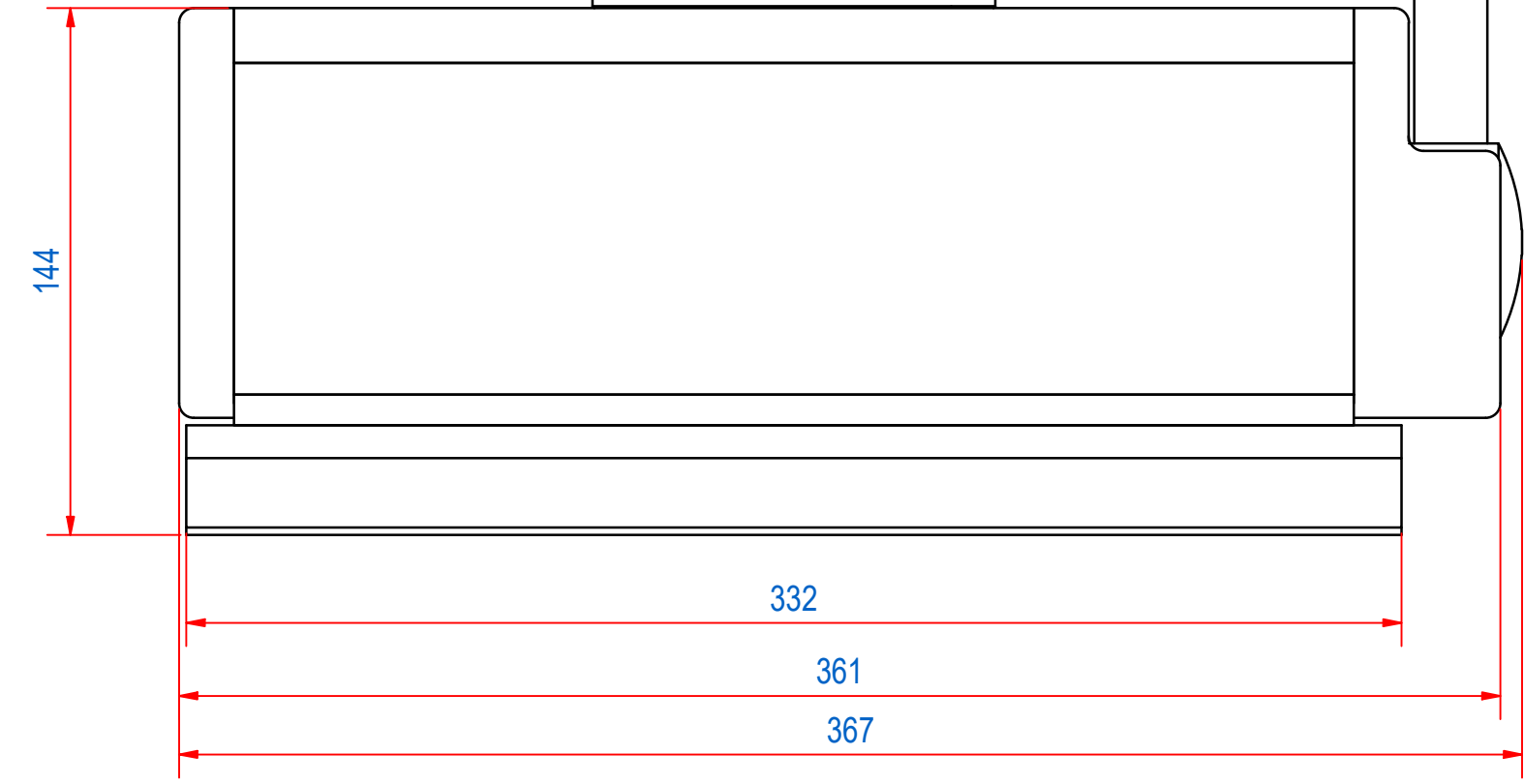
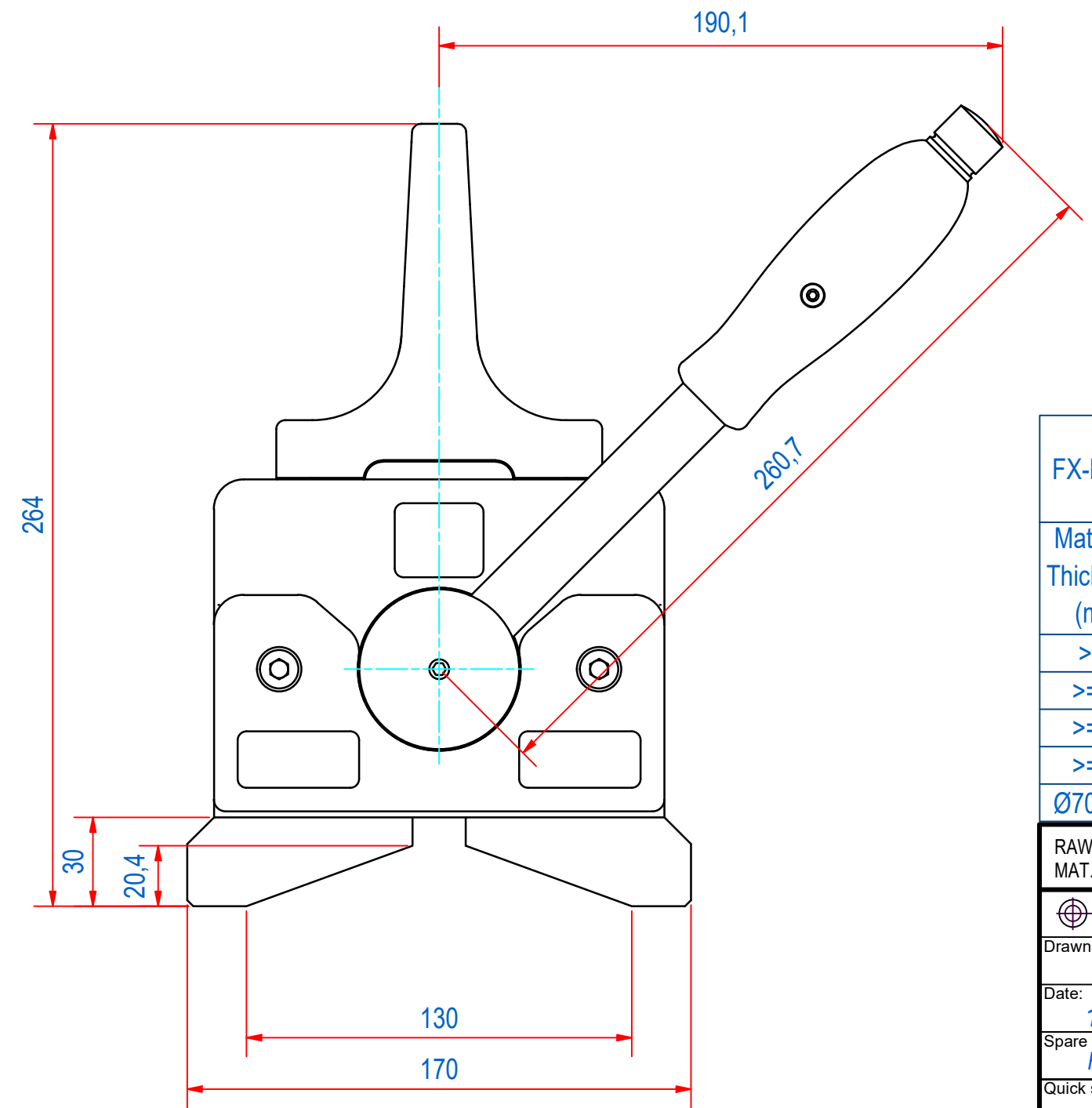
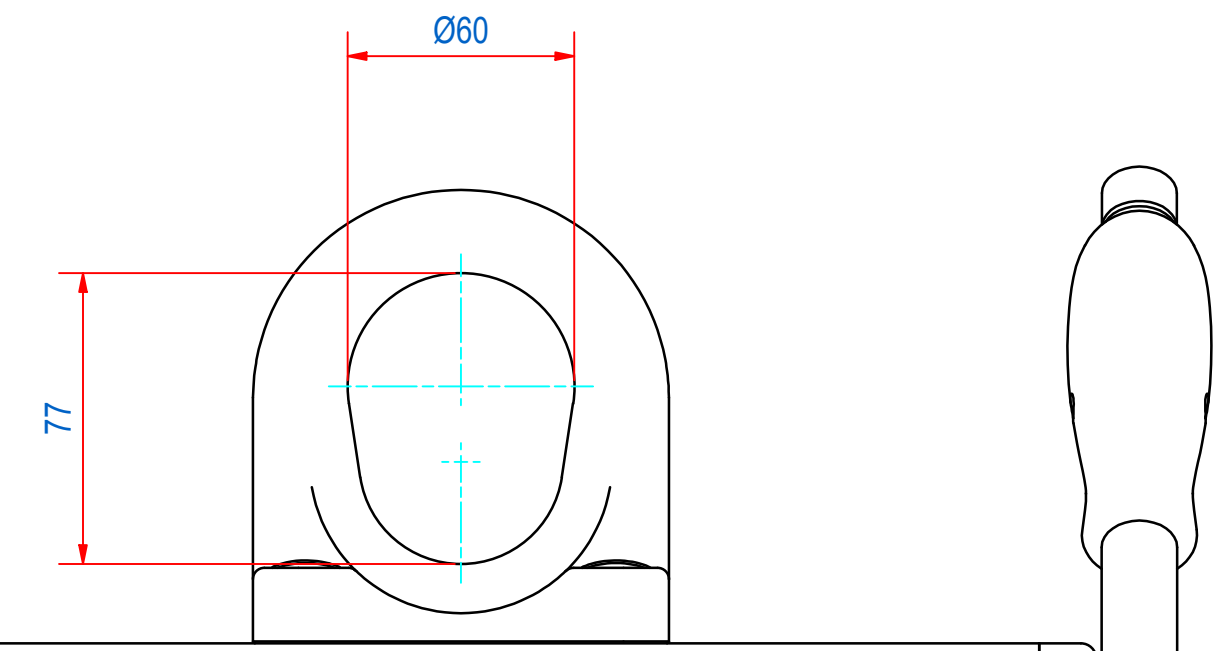
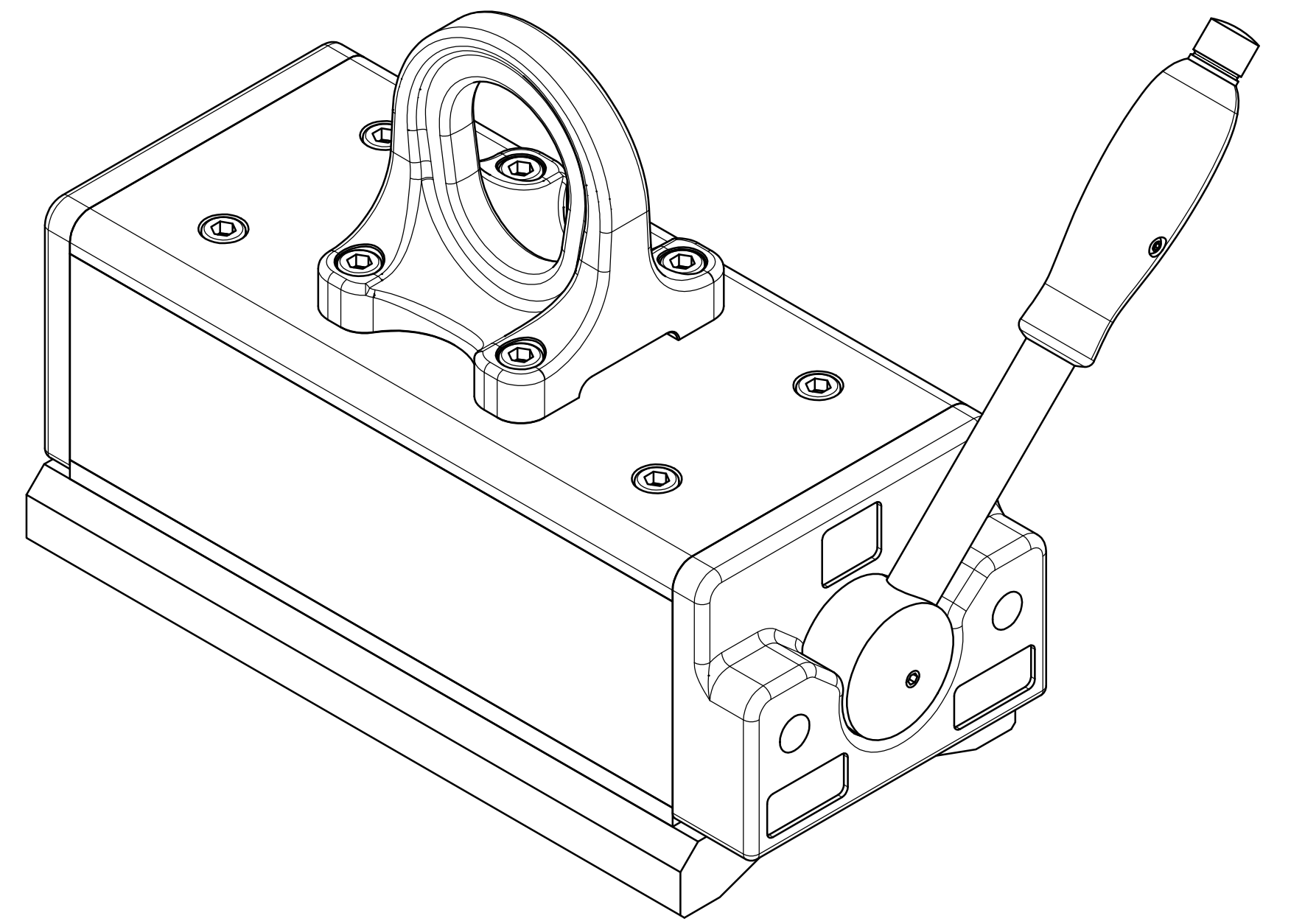
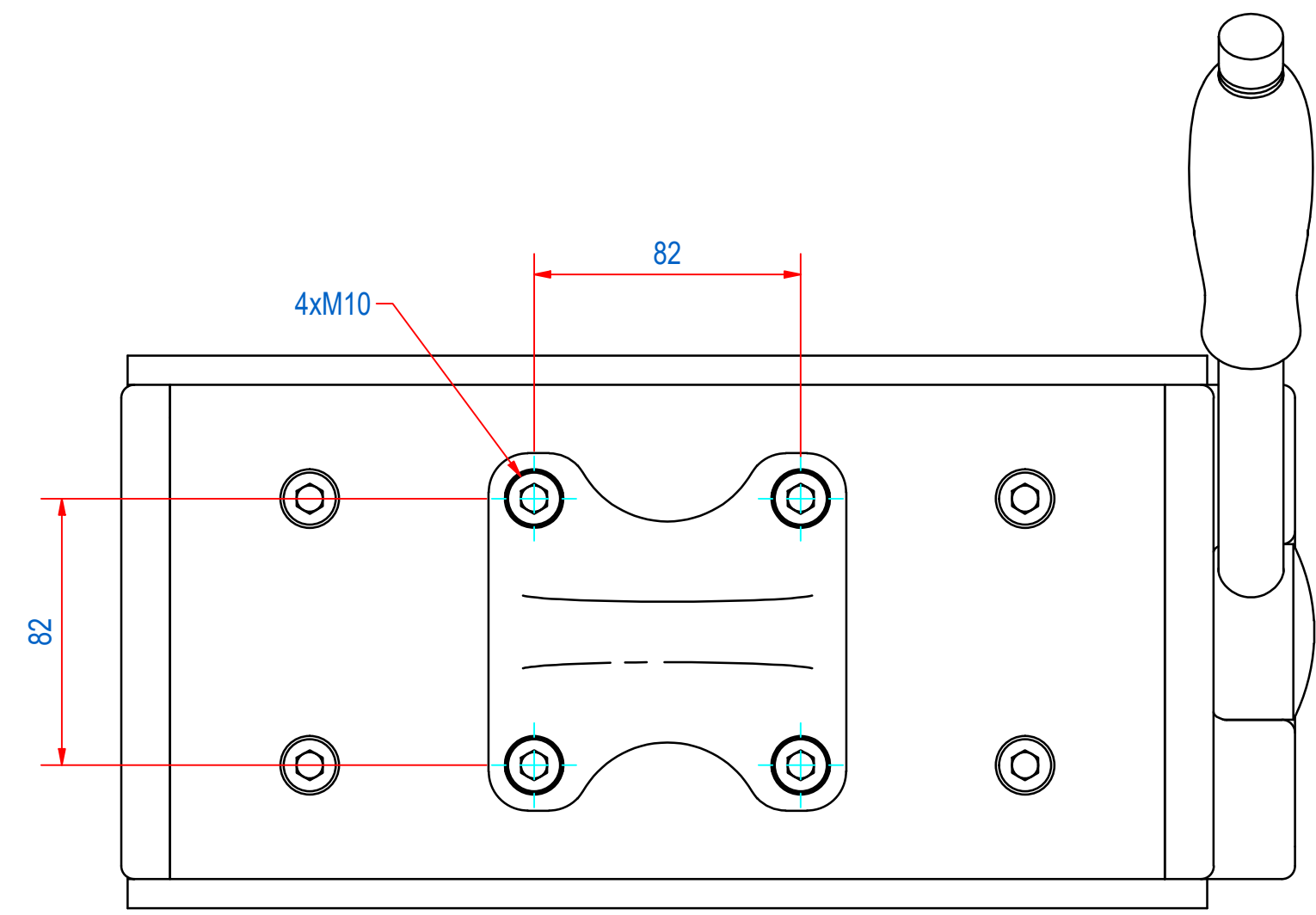


DOC.NR.	REV	DATE	BY	DESCRIPTION
E0161883	-	16-10-2024	EP	ORIGINAL DRAWING
E0161883	A	16-10-2024	EP	ADDED CORRECT WEIGHT



FX-R750	Air gap <0,1mm		Air gap 0,1-0,3mm		Air gap 0,3-0,5mm				
Material Thickness (mm)	Max. Load (kg)	Max. L (mm)	Max. B (mm)	Max. Load (kg)	Max. L (mm)	Max. B (mm)	Max. Load (kg)	Max. L (mm)	Max. B (mm)
>=8	300	2250	1500	280	2250	1500	250	2250	1250
>=10	400	2500	1500	380	2500	1500	300	2500	1250
>=15	700	3000	1500	680	3000	1500	550	3000	1250
>=20	750	3500	1500	720	3000	1500	600	3000	1250
Ø70-370	750	4500	-	600	4000	-	450	3000	-

RAW MAT.	1	Quantity	Material Number	Material Description	Length (mm)	Width (mm)	
Sheet:	A2	Extra info:	General tolerance: ISO 2768 - mK				
Drawn:	EP	Weight (kg):	49	Drawn according: ISO286; ISO1101; ISO2553			
Date:	13-10-2023	Status:		Released			
Spare part:	False	Customer reference number:		E0161883			
Quick search:	FX-R750	Document number:		E0161883	Doc.Rev:	A	
Description:	HPL-RA-0750-170x361-142-FE			Part number:	E0161883	Rev:	A