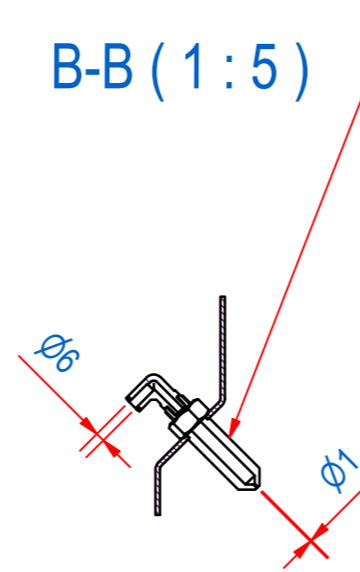
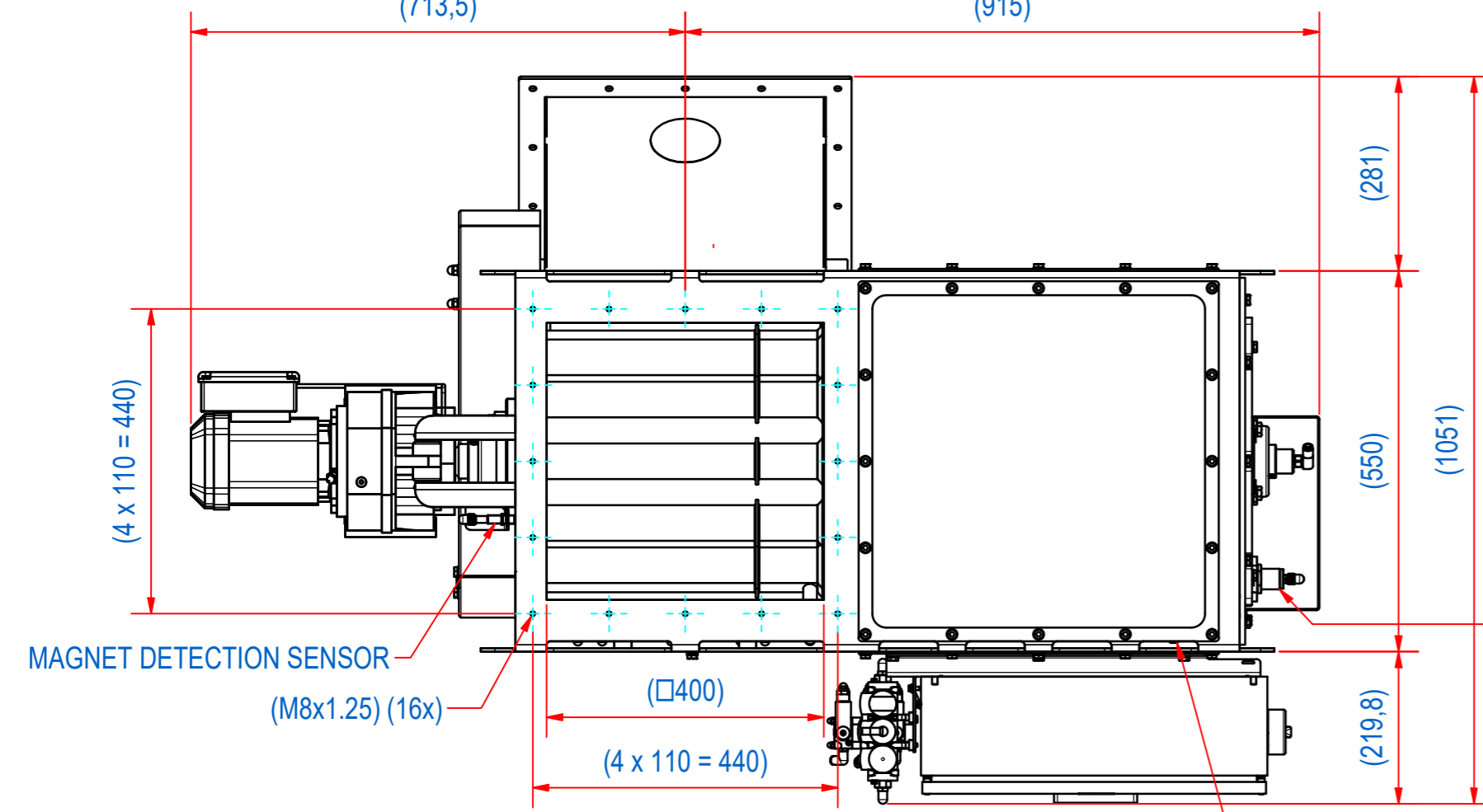
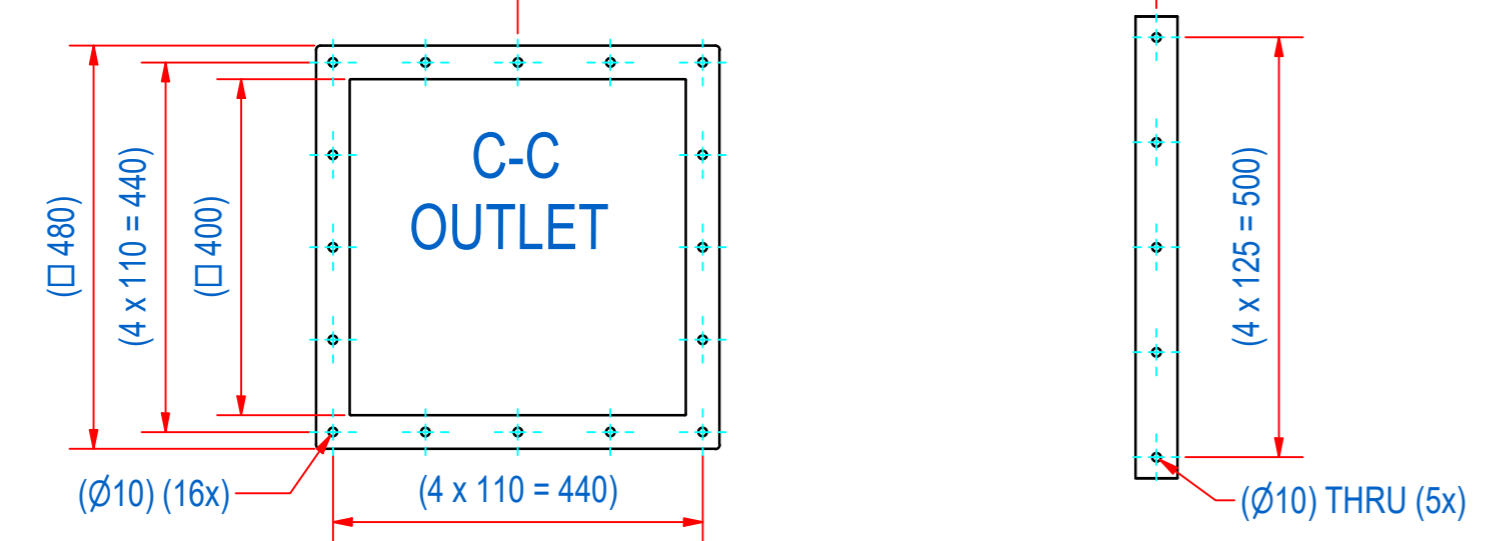
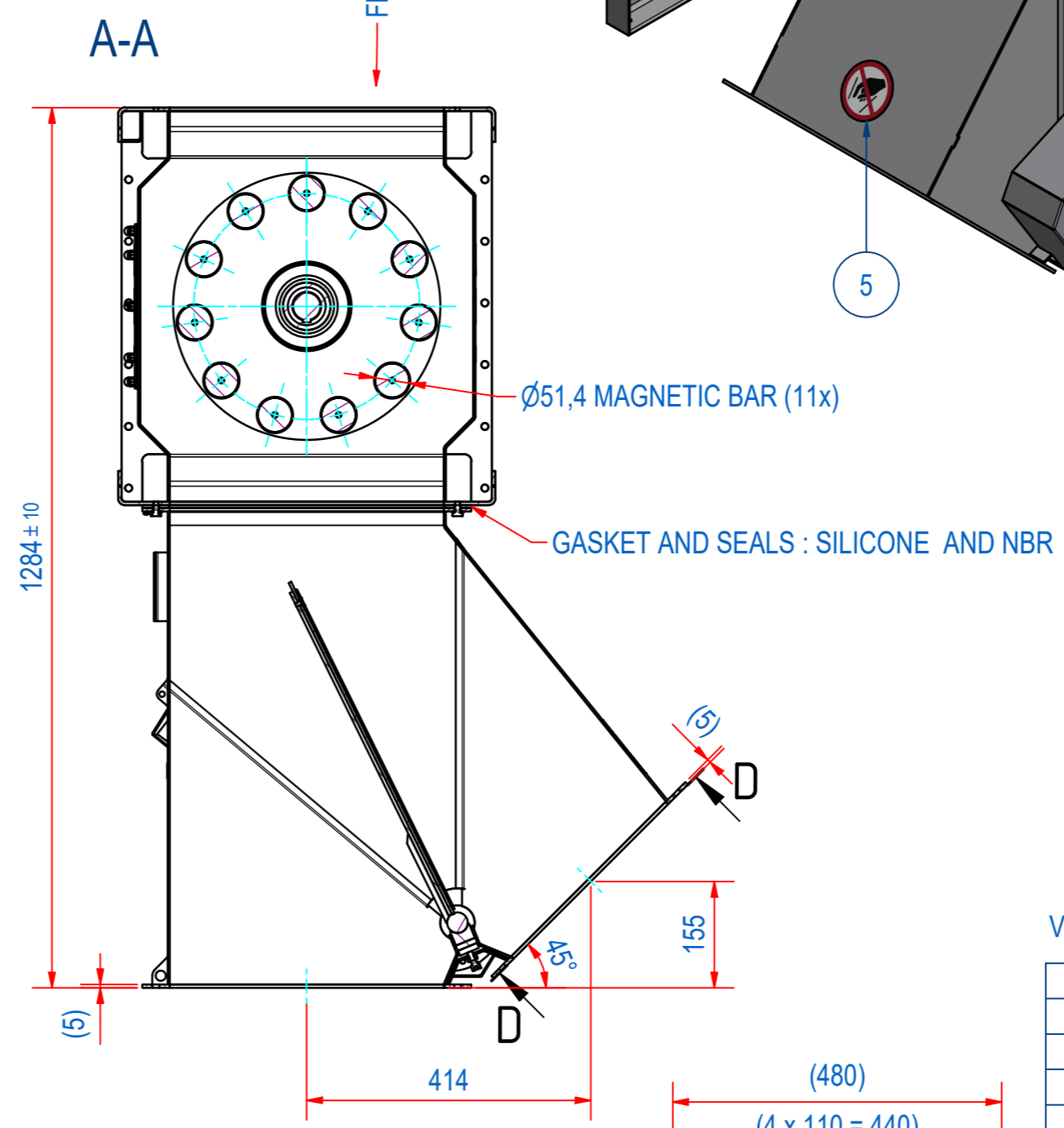
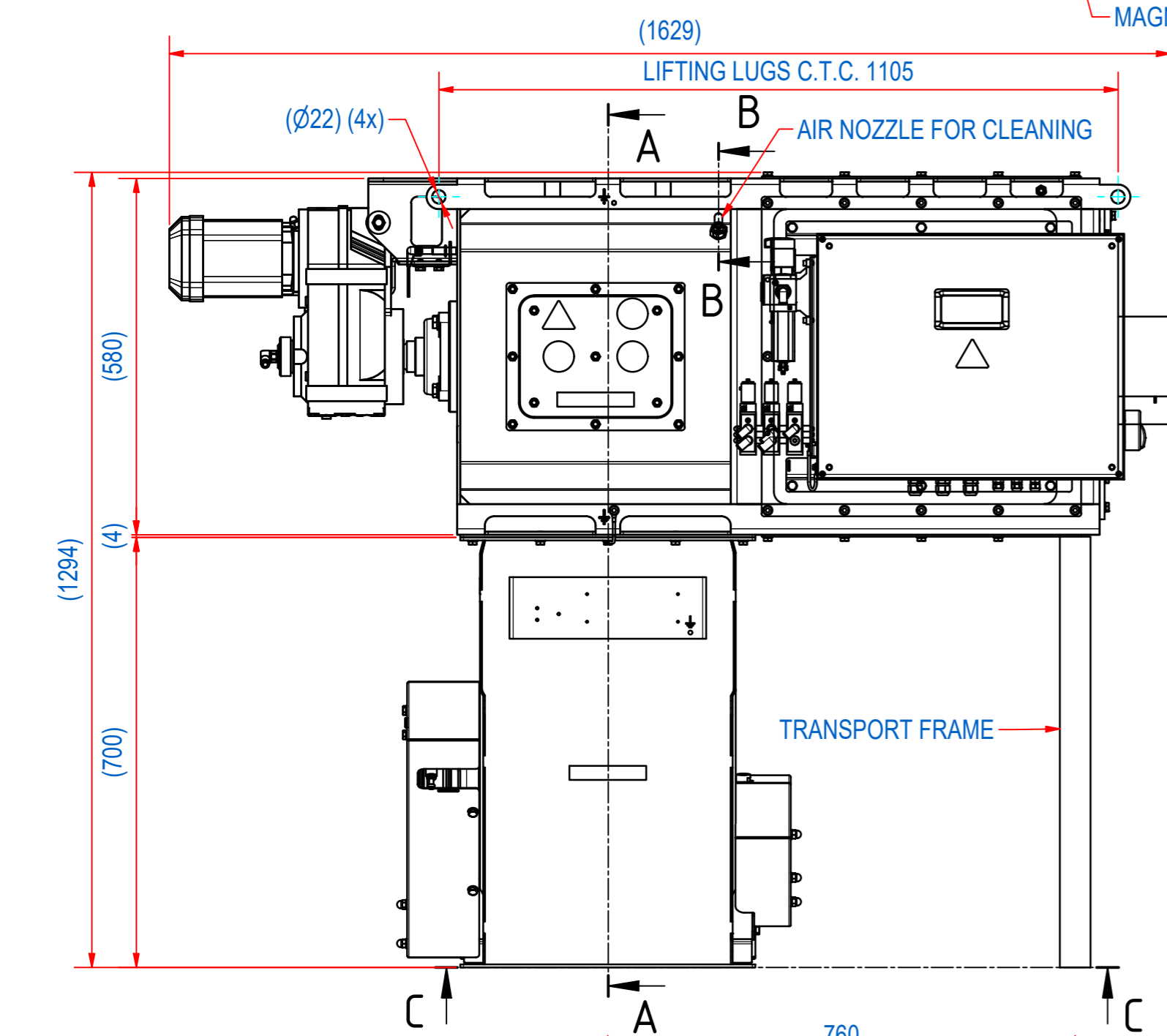
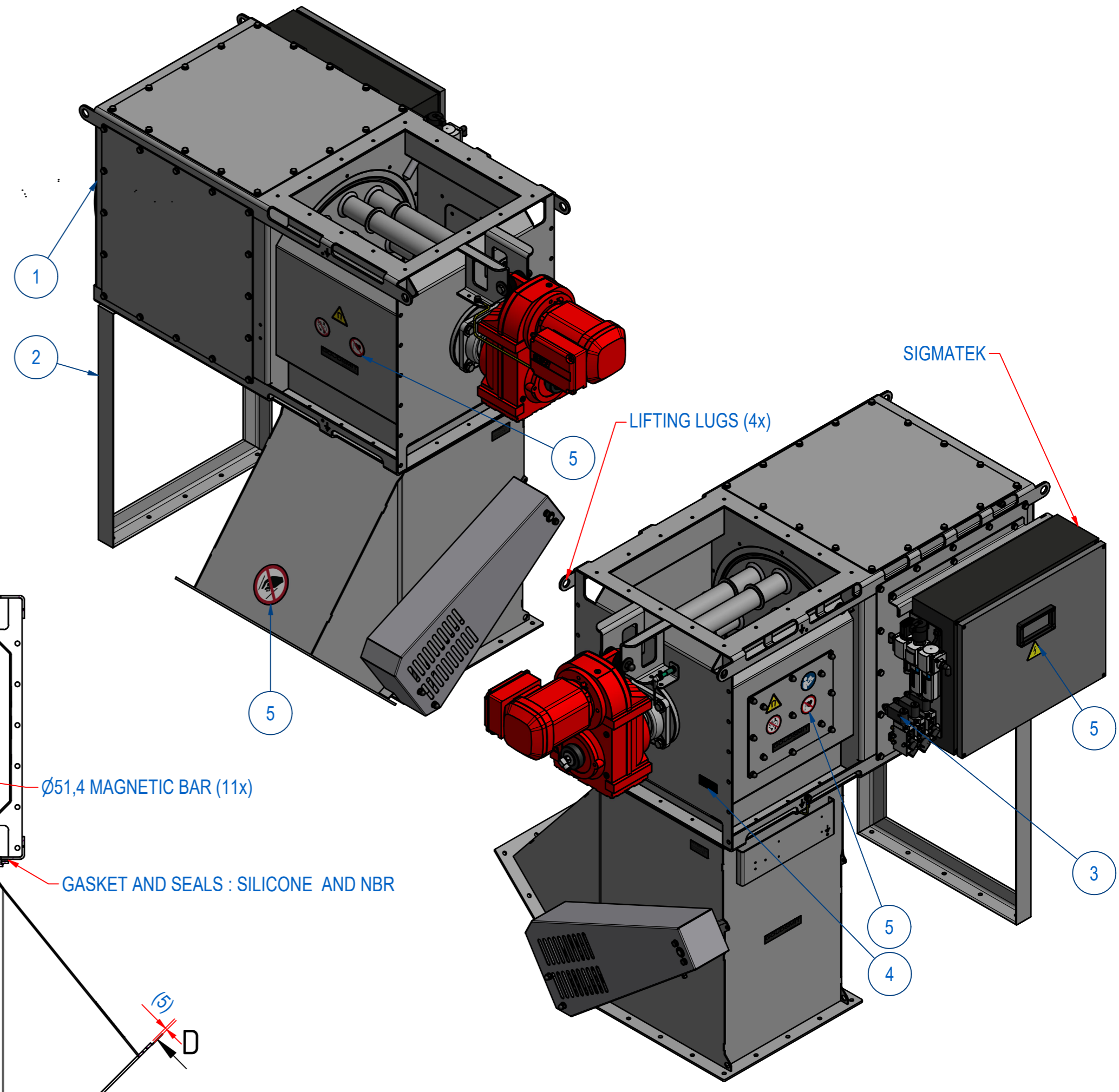


REV	DATE	BY	DESCRIPTION
-	8-11-2023	AvD	REFERENCE DRAWING SRCD320018
A	31-1-2024	CR	MC-C SOURCE CODE ADDED, REFERENCE DIMENSIONS ADDED



B-B (1:5) GIVES A PULSE WHEN MAGNETIC BAR PASSING IF MACHINE IS CLEANED



VALVE BOX CAN BE MOUNTED IN FOUR DIRECTIONS (STANDARD AS ON DRAWING)

ITEM	QTY	PART NUMBER	DESCRIPTION	Dimensions
5	1	E0154563	SRCD-000 WARNING STICKERS	
4	1	E0083890	SRCD ATEX II 3D Ex h IIIC T130°C Dc	
3	1	E0025799	SRCD/VALVE PNEUMATIC SCHEMA	
2	1	E0142434	SRCD-4040-TRANSPORT FRAME	
1	1	E0162422	SRCD-4040-11U-ES-V-S ASSY	

RAW MAT.	Quantity	Material Number	Material Description	Length (mm)	Width (mm)
⊕	1	A2	CLEANFLOW MAGNETIC ROTATING SIGMATEK CONTROL		

Drawn: AvD	Weight (kg): 390		General tolerance: ISO 2768 - fH
Date: 8-11-2023	Spare part: False		Drawn according: ISO286; ISO1101; ISO2553
Quick search: SRCD-4040	Source: MC-C	Status: Standard	Customer reference number:
Description: SRCD-4040-11U-ES-F1H-V-S-B-F-S-X3		Document number: E0162421	Doc.Rev: A
		Part number: E0162421	Rev: A