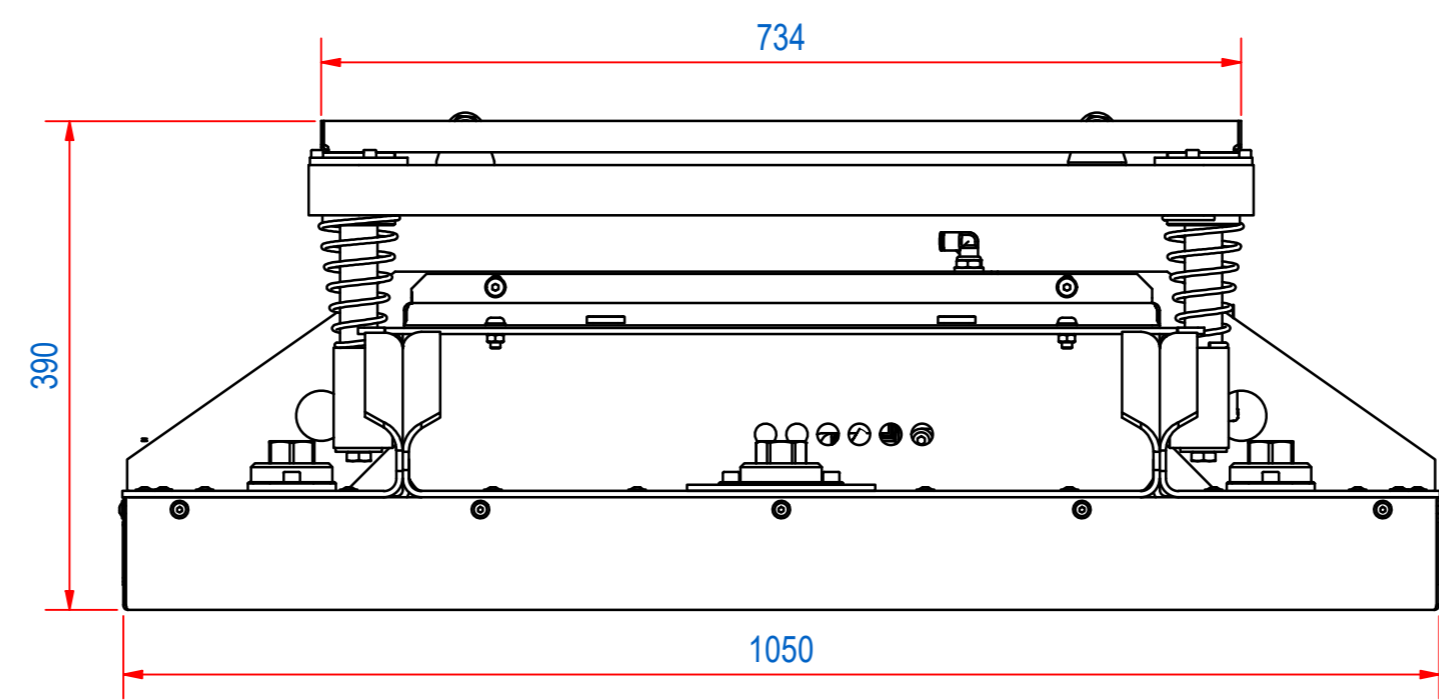
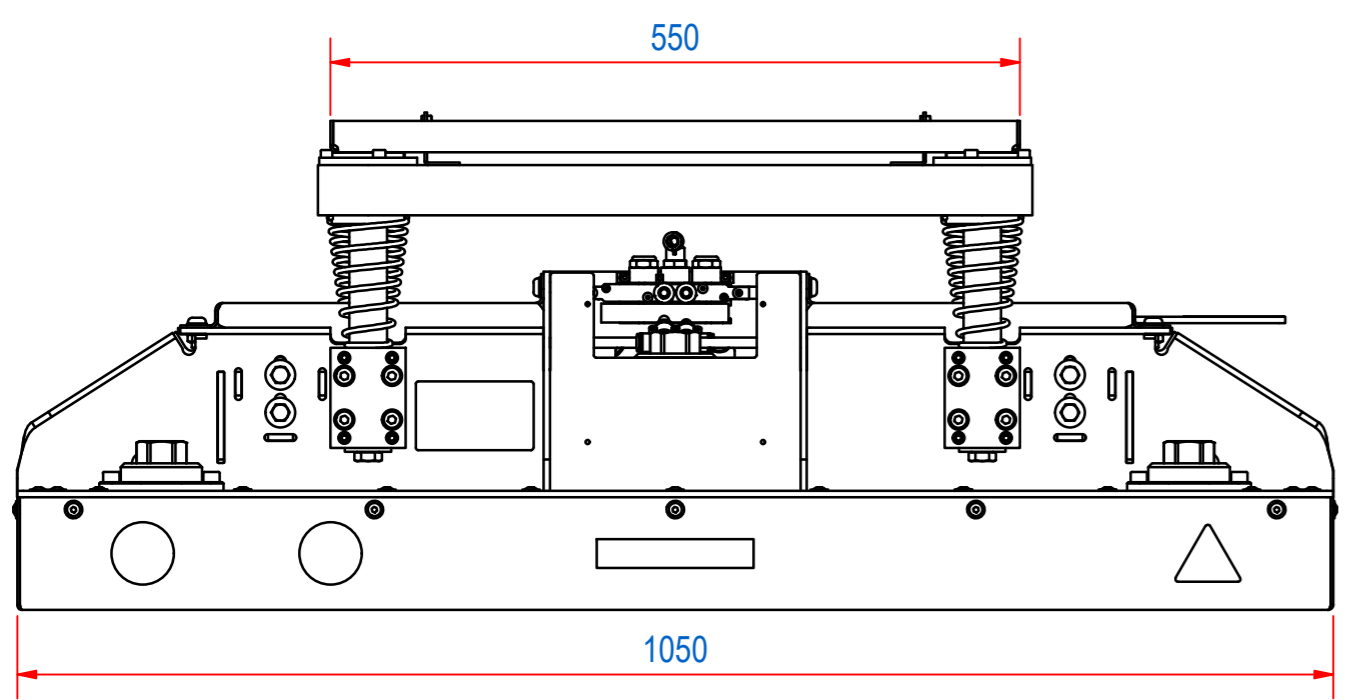
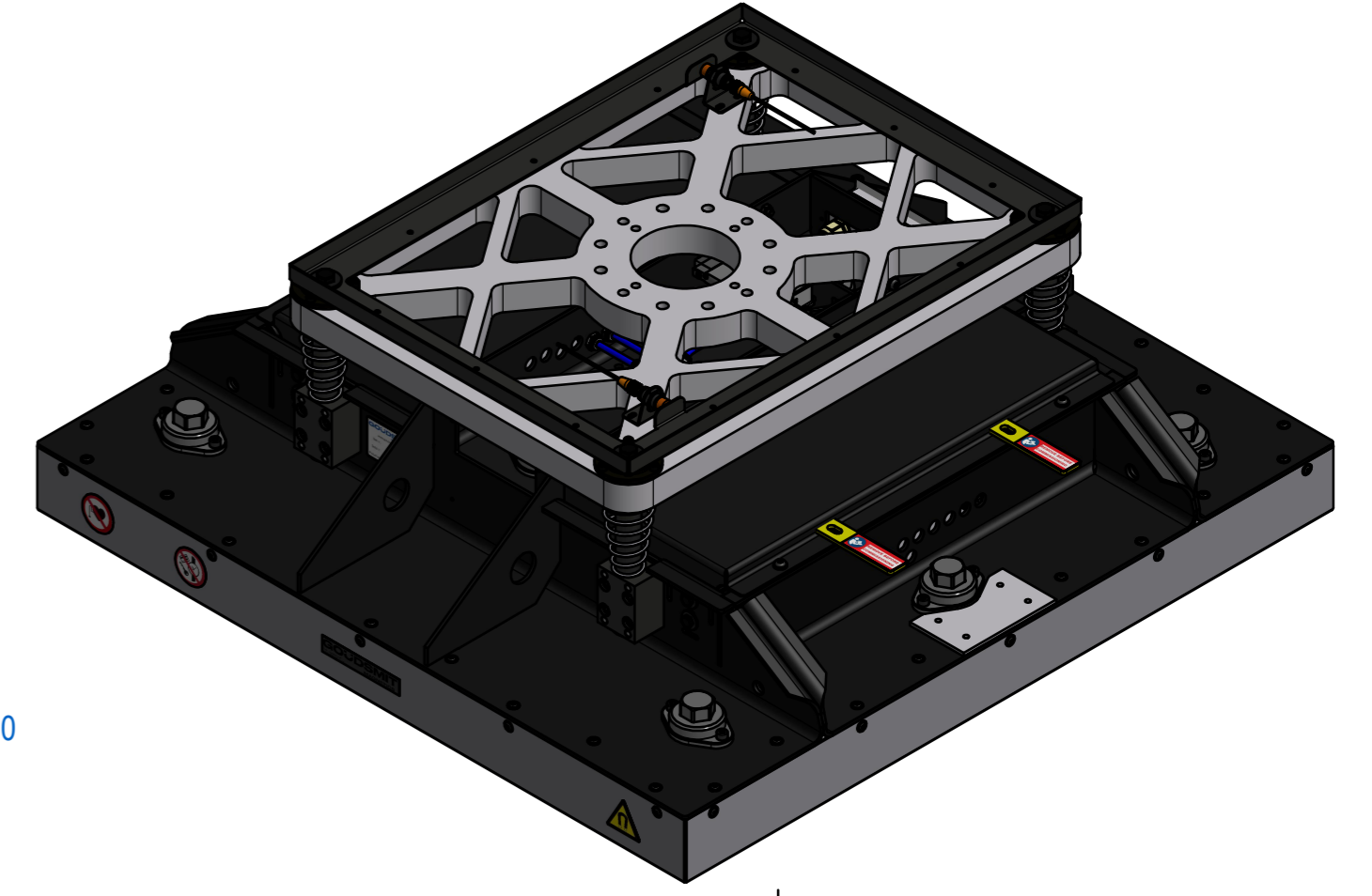
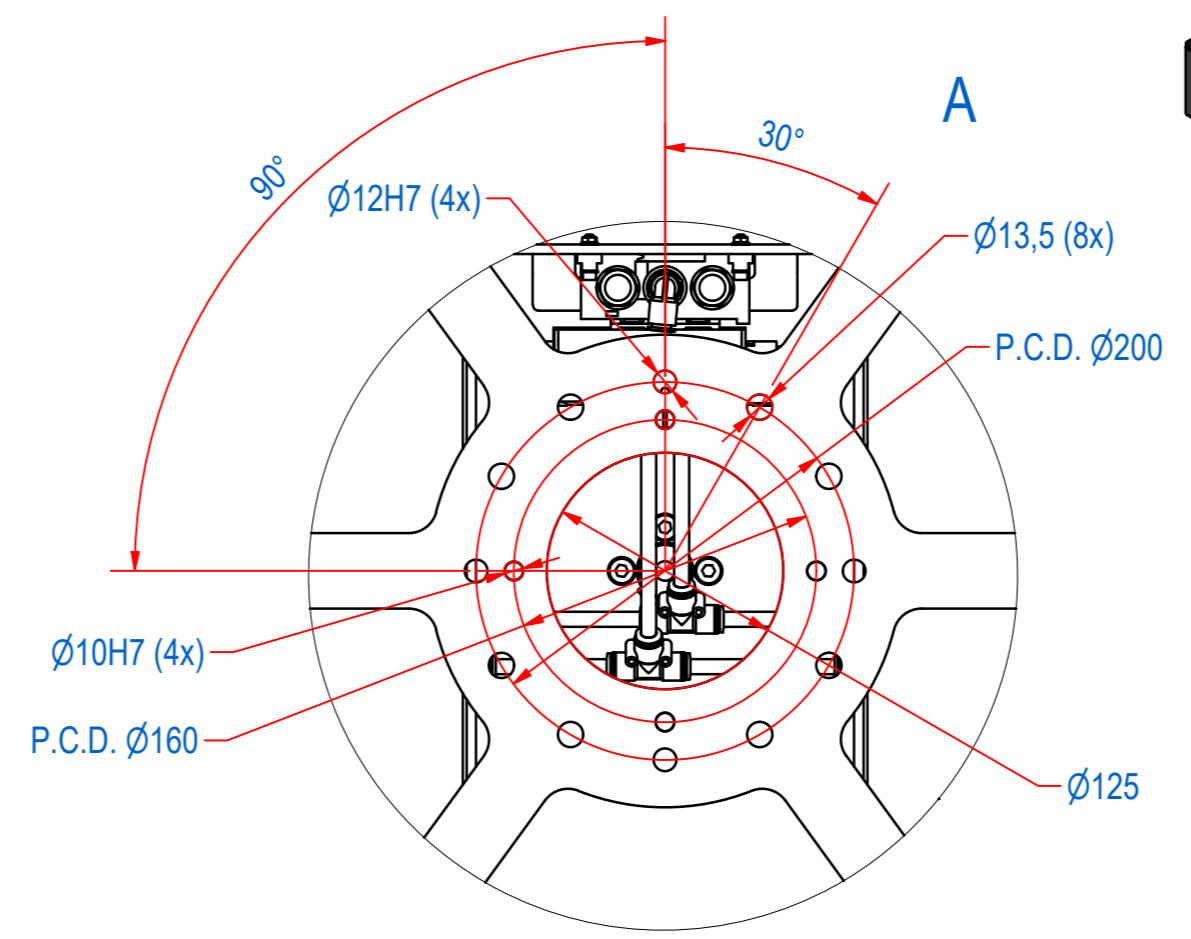
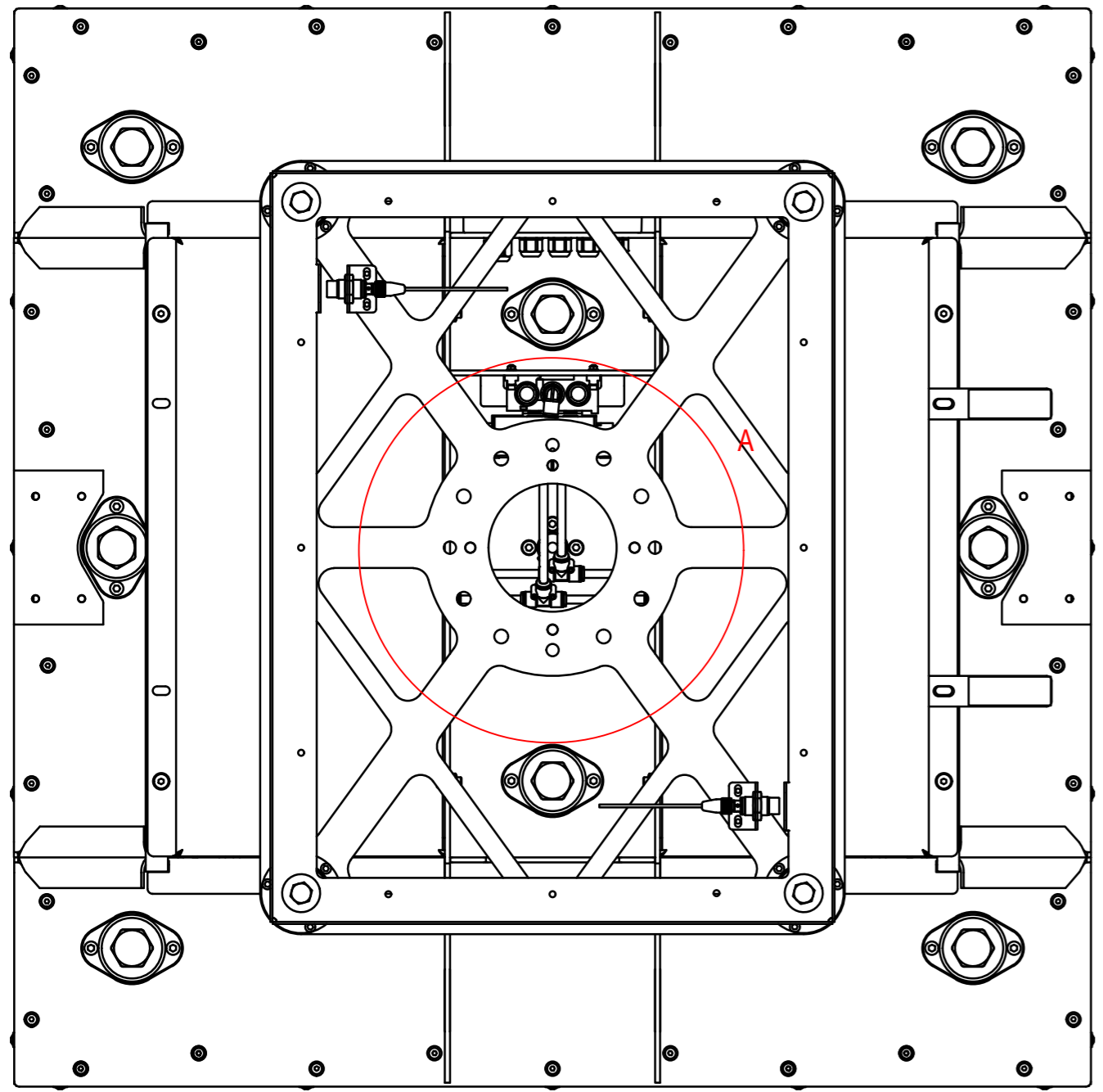


3	2		1	
DOC.NR.	REV	DATE	BY	DESCRIPTION
E0168563	-	29-10-2024	EP	ORIGINAL DRAWING



ITEM	QTY	PART NUMBER	DESCRIPTION	Dimensions
8	8	E0159811	HPA-CO	
7	1	E0159643	HPA-FR-1050x1050-AL	
6	1	E0161267	HPA-SU-3	
5	1	E0160257	HPA-E-TB-NA-N-HW	
4	1	E0164202	HPA-STICKER SET	
3	1	E0161182	HPA-PNEUMATIC MAGNET PLATE MODULE	
2	1	E0160412	HPA-CENTRAL PART	
1	1	E0160356	HPA-MP-1050x1050-M10	

RAW MAT.	Quantity	Material Number	Material Description	Length (mm)	Width (mm)
	1				

Sheet: A2	Extra info:	General tolerance: ISO 2768 - mK
Drawn: EP	Weight (kg): 210	Drawn according: ISO286; ISO1101; ISO2553
Date: 29-10-2024		Status: Released
Spare part: False	Source:	Customer reference number:
Quick search:		Document number: E0168563
Description: HPA-N-IM-AL-1050-1050-S3		Doc.Rev: -
		Part number: E0168563
		Rev: -



© All rights reserved. Reproduction is not permitted without written permission of GOUDSMIT Magnetic Systems BV