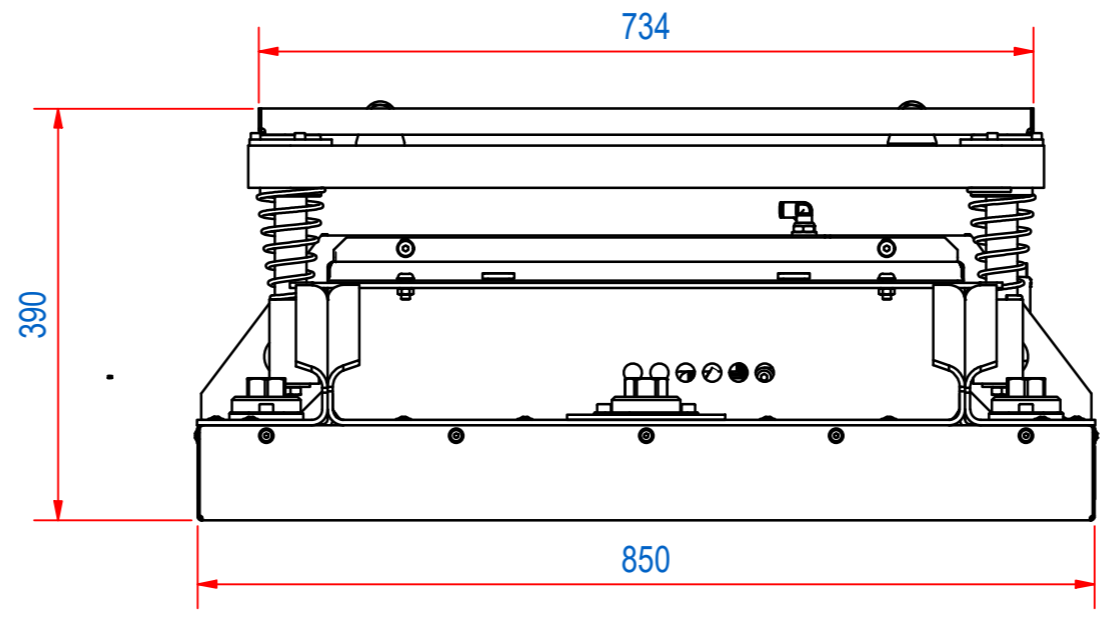
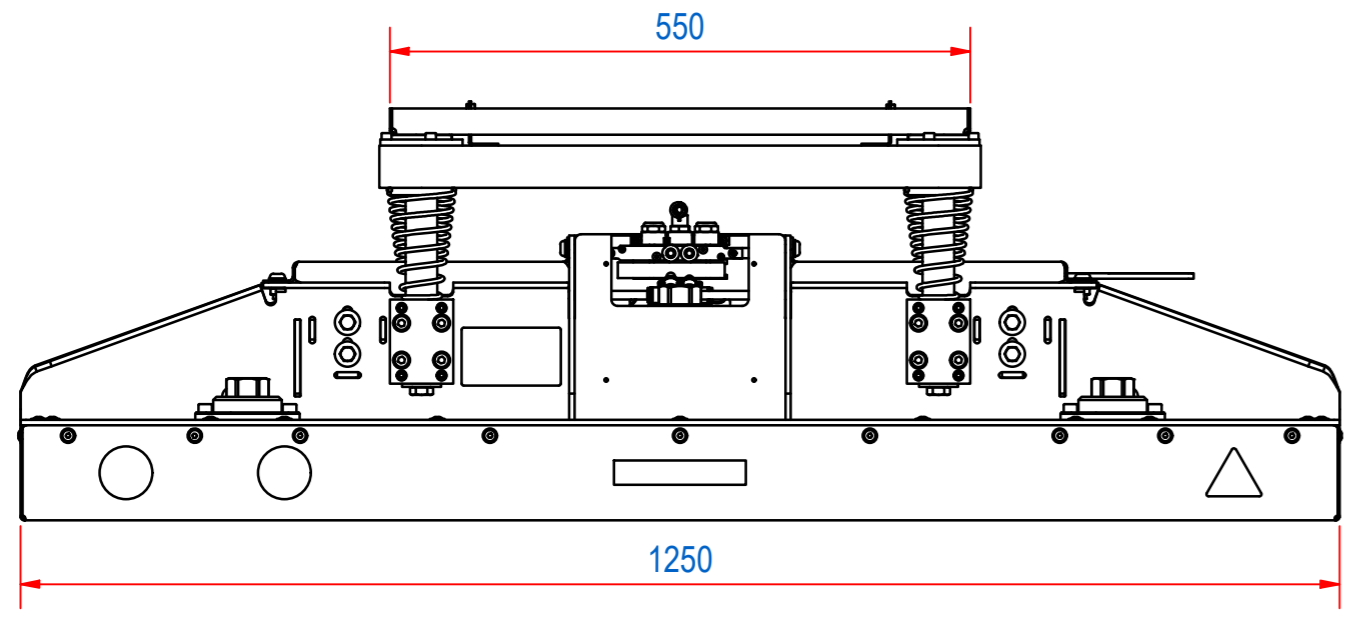
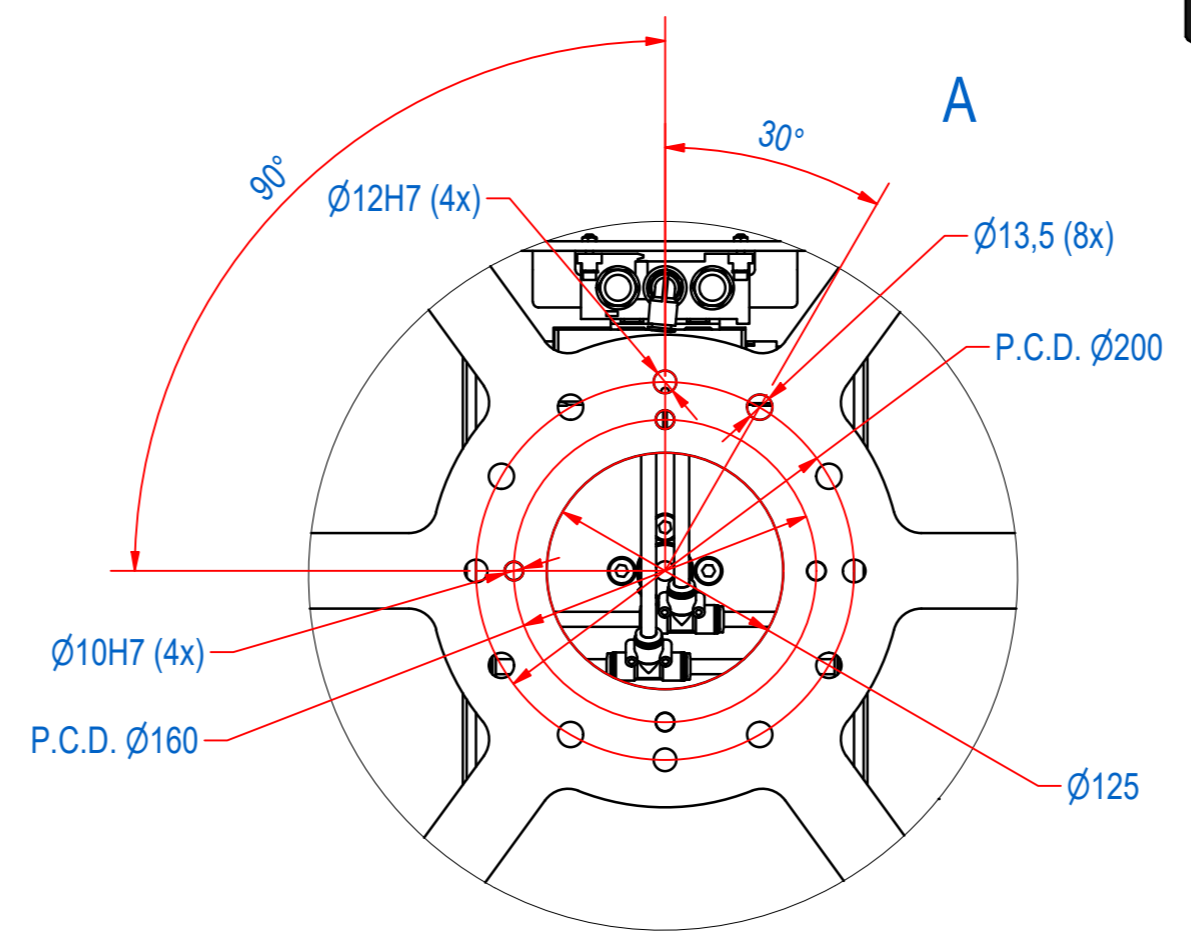
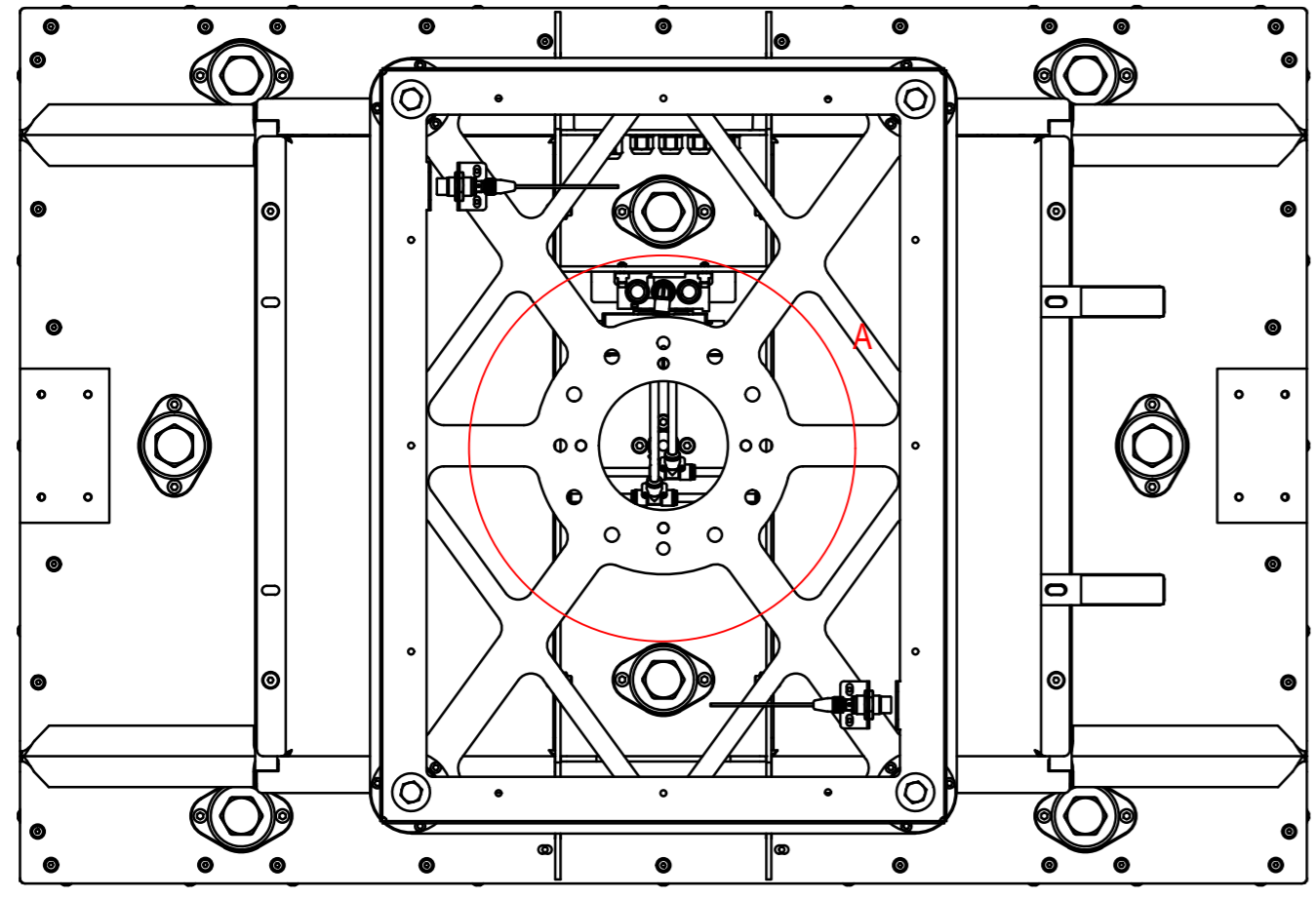


3	2		1	
DOC.NR.	REV	DATE	BY	DESCRIPTION
E0168565	-	29-10-2024	EP	ORIGINAL DRAWING



ITEM	QTY	PART NUMBER	DESCRIPTION	Dimensions
8	8	E0159811	HPA-CO	
7	1	E0158506	HPA-FR-1250x850-AL	
6	1	E0161267	HPA-SU-3	
5	1	E0160257	HPA-E-TB-NA-N-HW	
4	1	E0164202	HPA-STICKER SET	
3	1	E0161182	HPA-PNEUMATIC MAGNET PLATE MODULE	
2	1	E0160412	HPA-CENTRAL PART	
1	1	E0160680	HPA-MP-1250x850-M5	

RAW MAT.	Quantity	Material Number	Material Description	Length (mm)	Width (mm)
⊕	1				
⊕	Sheet:	A2	Extra info:	General tolerance: ISO 2768 - mK	
Drawn:	Weight (kg):	EP	170	Drawn according: ISO286; ISO1101; ISO2553	
Date:	29-10-2024		Status: Released		
Spare part:	Source:	False	Customer reference number:		
Quick search:			Document number: E0168565		Doc.Rev: -
Description:	HPA-N-IM-AL-1250-850-S3		Part number: E0168565		Rev: -



© All rights reserved. Reproduction is not permitted without written permission of GOUDSMIT Magnetic Systems BV