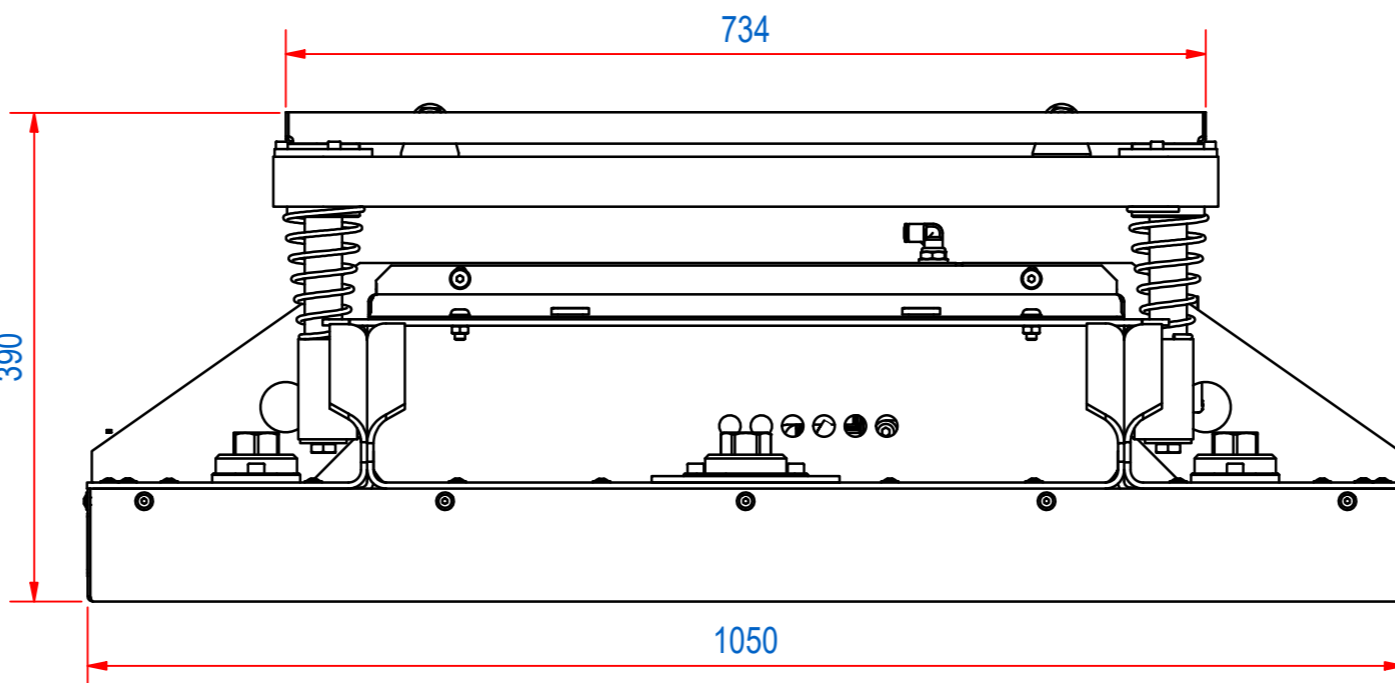
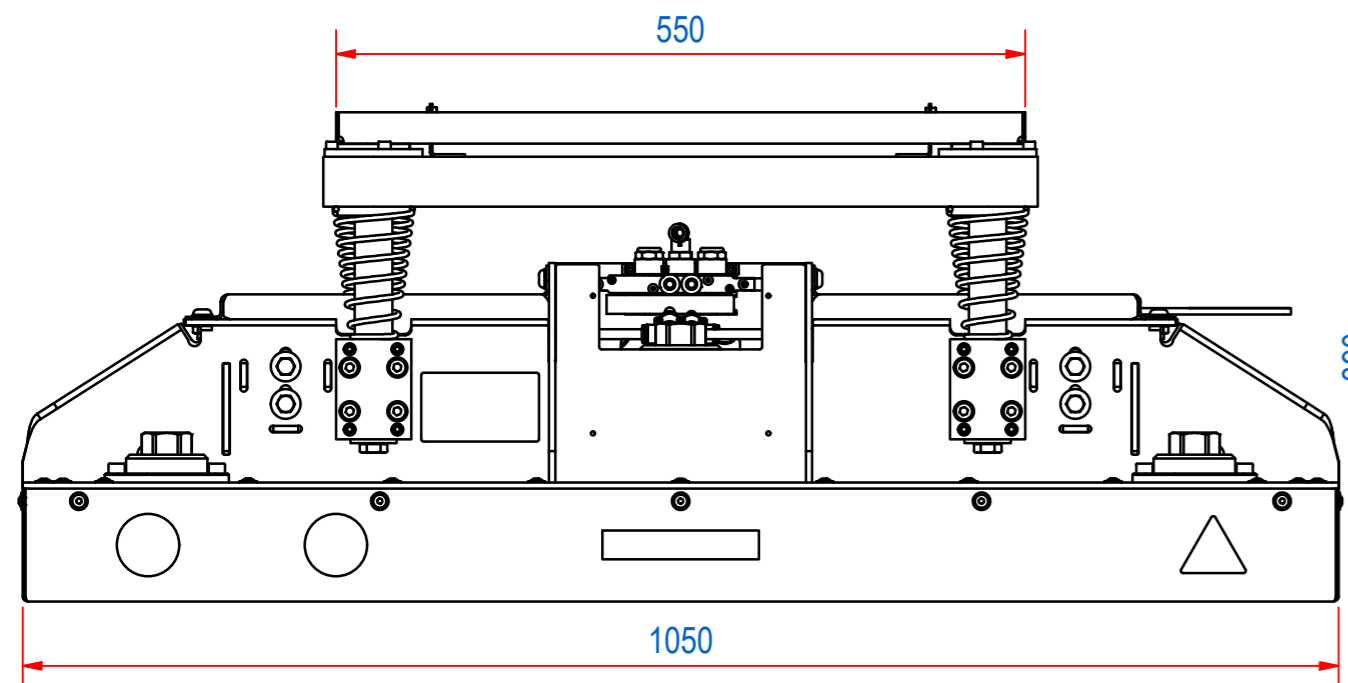
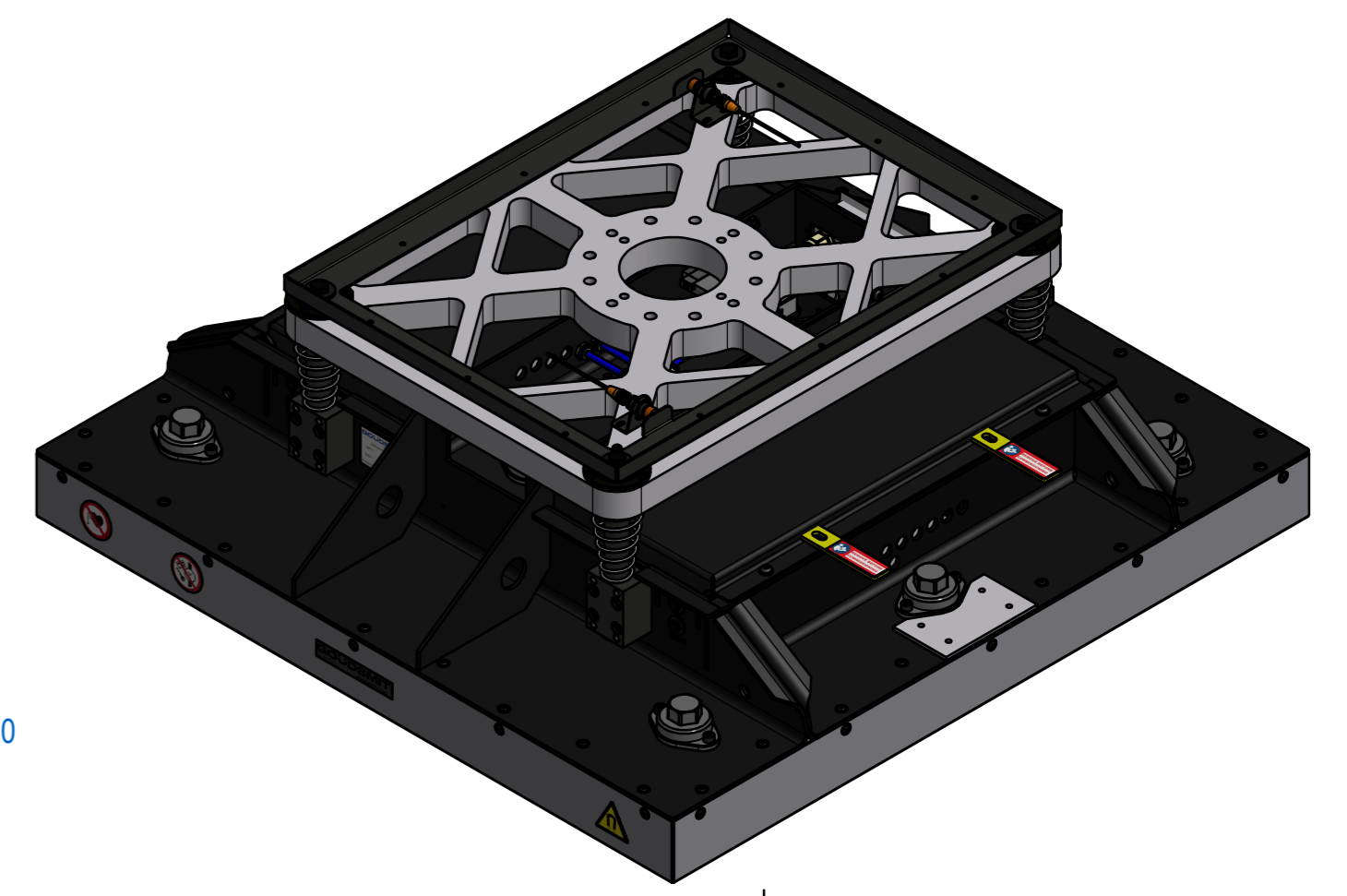
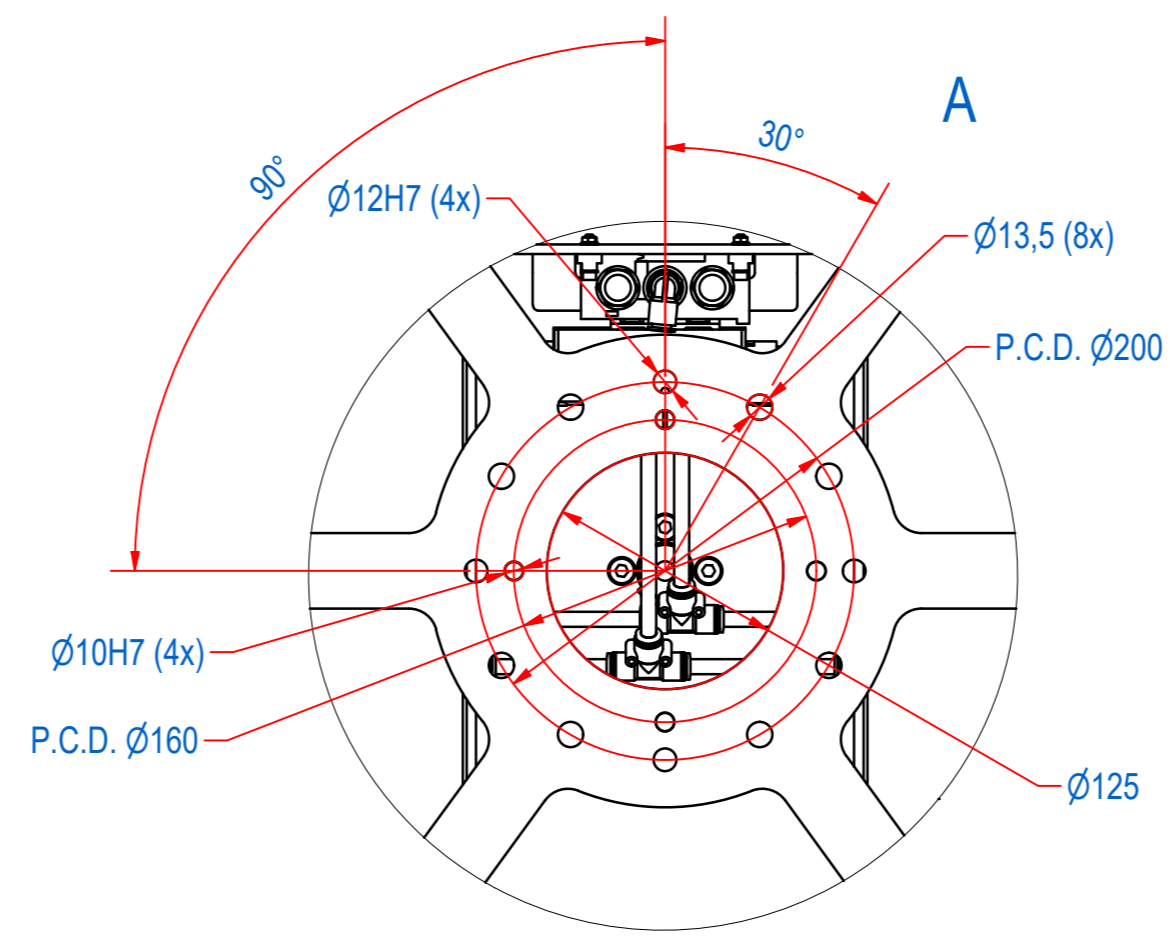
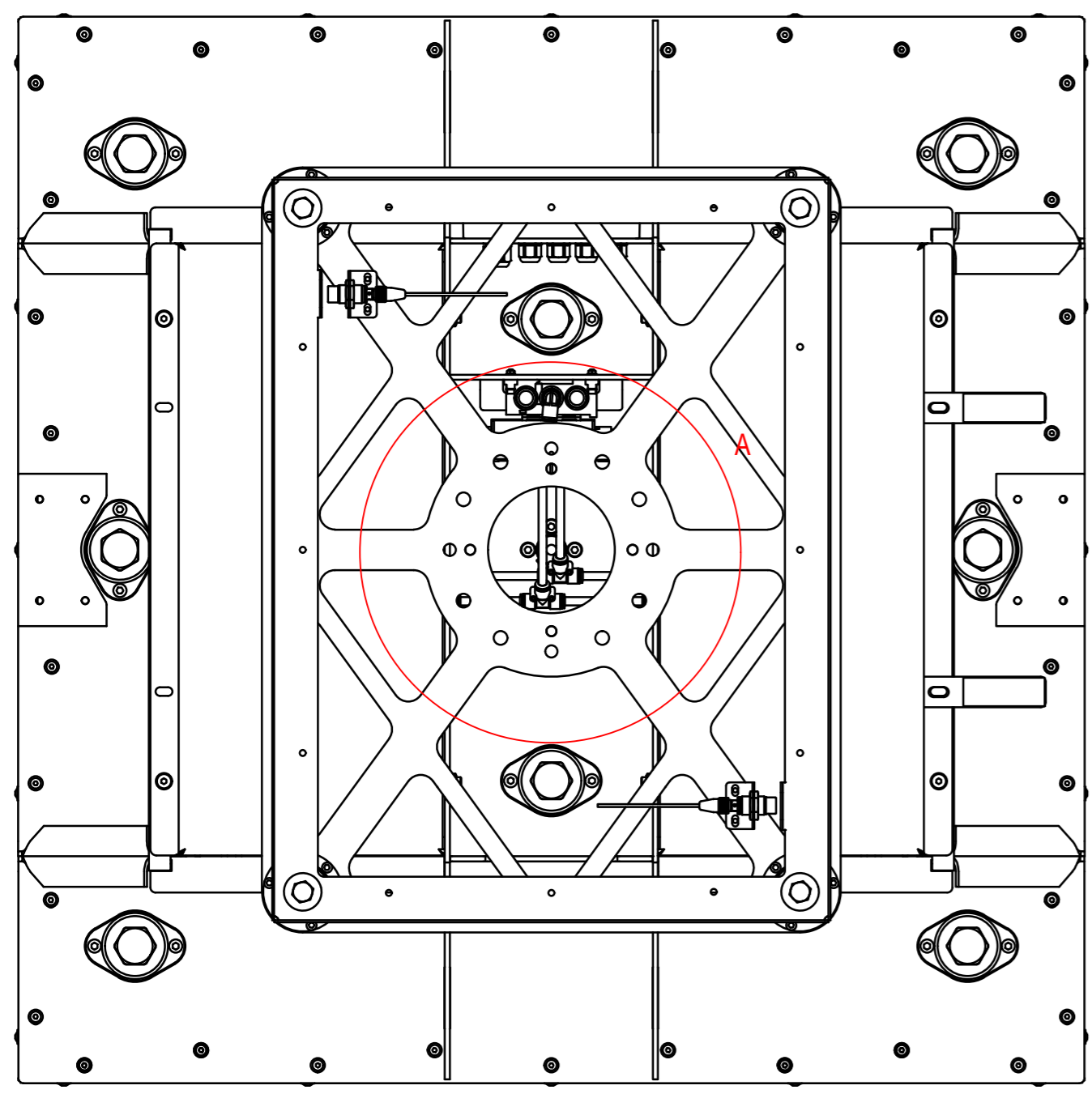


DOC.NR.	REV	DATE	BY	DESCRIPTION
E0168571	-	29-10-2024	EP	ORIGINAL DRAWING
E0168571	A	29-10-2024	EP	CHANGED FROM IF TO I5



ITEM	QTY	PART NUMBER	DESCRIPTION	Dimensions
8	8	E0159811	HPA-CO	
7	1	E0159643	HPA-FR-1050x1050-AL	
6	1	E0161267	HPA-SU-3	
5	1	E0160257	HPA-E-TB-NA-N-HW	
4	1	E0164202	HPA-STICKER SET	
3	1	E0161182	HPA-PNEUMATIC MAGNET PLATE MODULE	
2	1	E0160412	HPA-CENTRAL PART	
1	1	E0160677	HPA-MP-1050x1050-M5	

RAW MAT.	Quantity	Material Number	Material Description	Length (mm)	Width (mm)
	1				

Sheet: A2 Drawn: EP Date: 29-10-2024 Spare part: False	Extra info: Weight (kg): 190 Source: GOUDSMIT MAGNETICS <small>© All rights reserved. Reproduction is not permitted without written permission of GOUDSMIT Magnetic Systems BV</small>	General tolerance: ISO 2768 - mK Drawn according: ISO286; ISO1101; ISO2553 Status: Released Customer reference number: Document number: E0168571 Doc.Rev: A Part number: E0168571 Rev: A
---	--	--

Description: **HPA-N-I5-AL-1050-1050-S3**