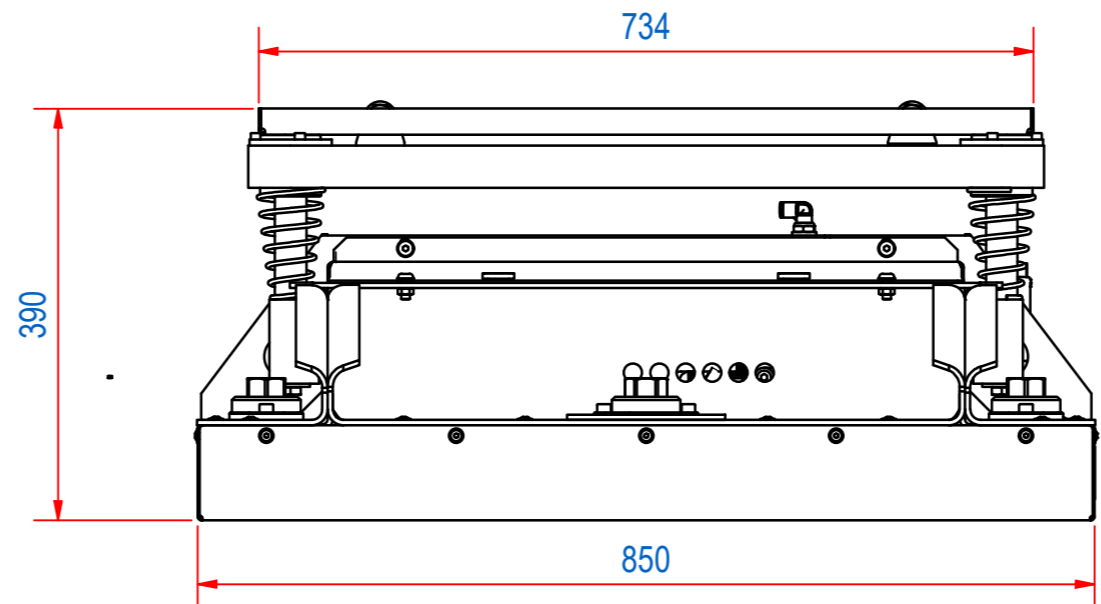
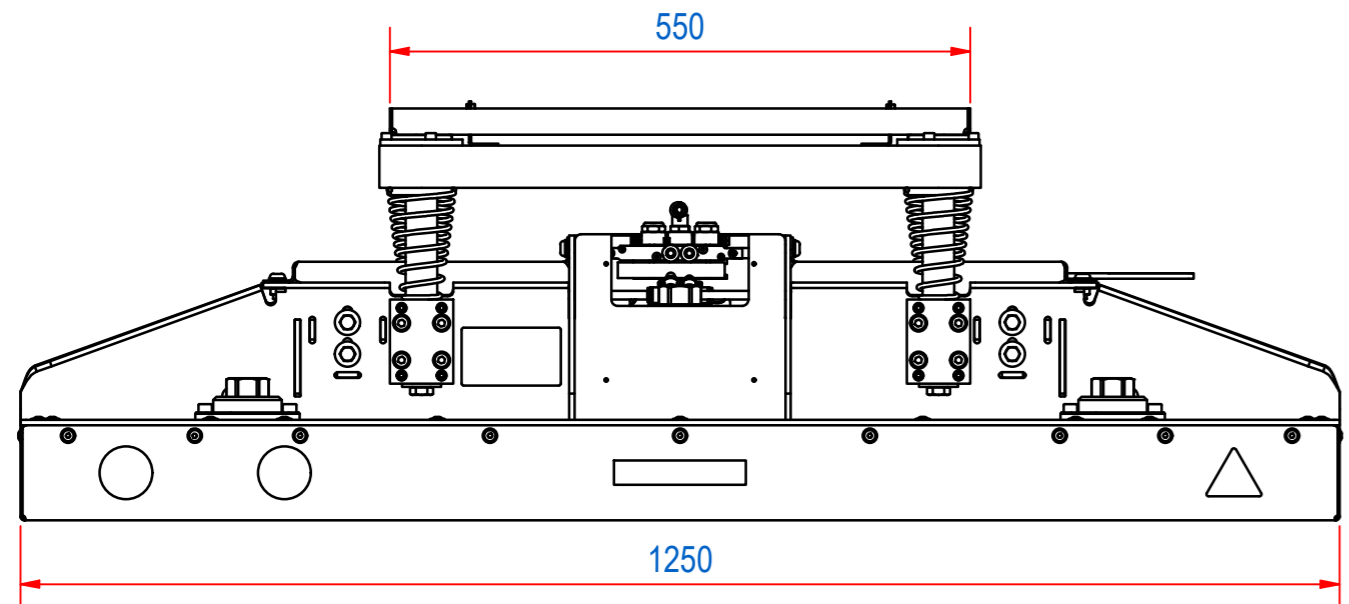
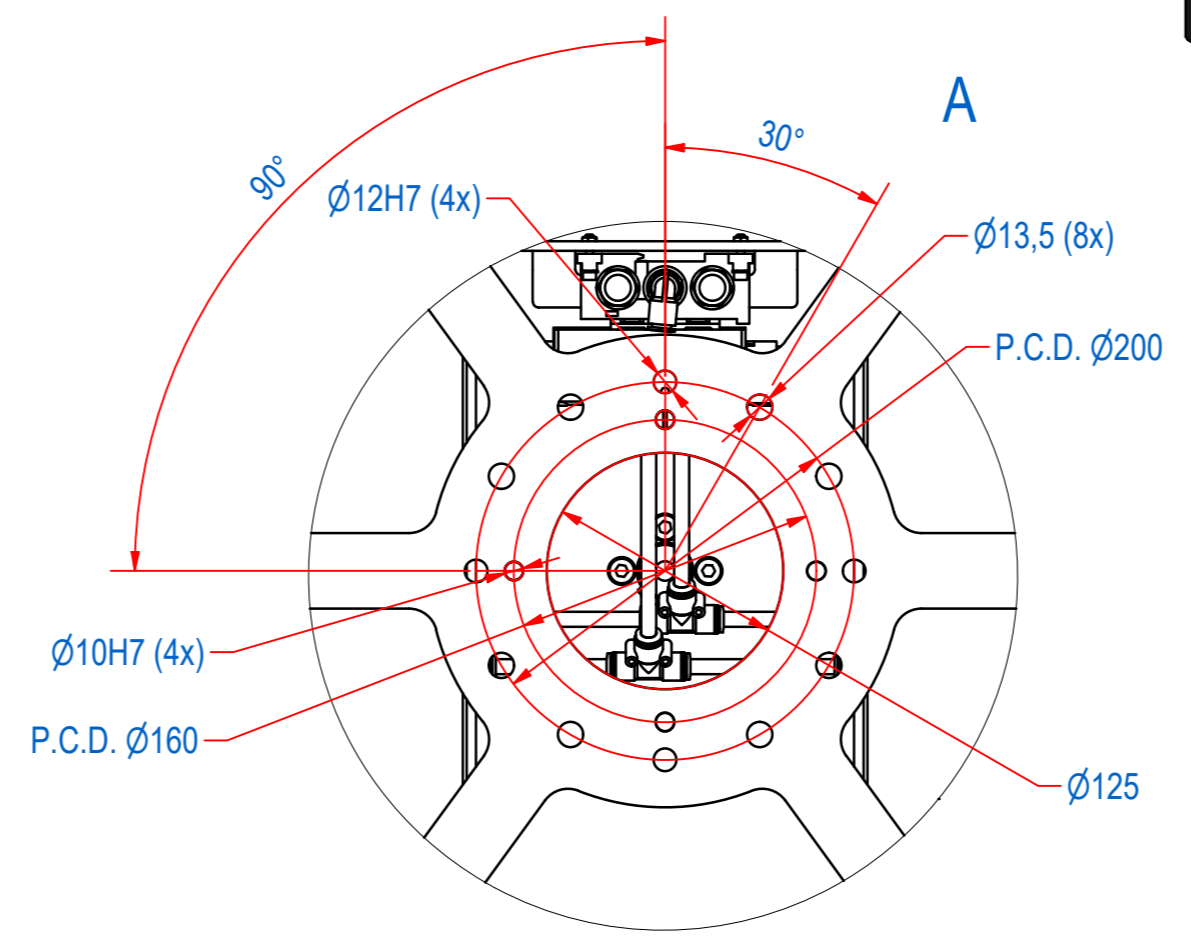
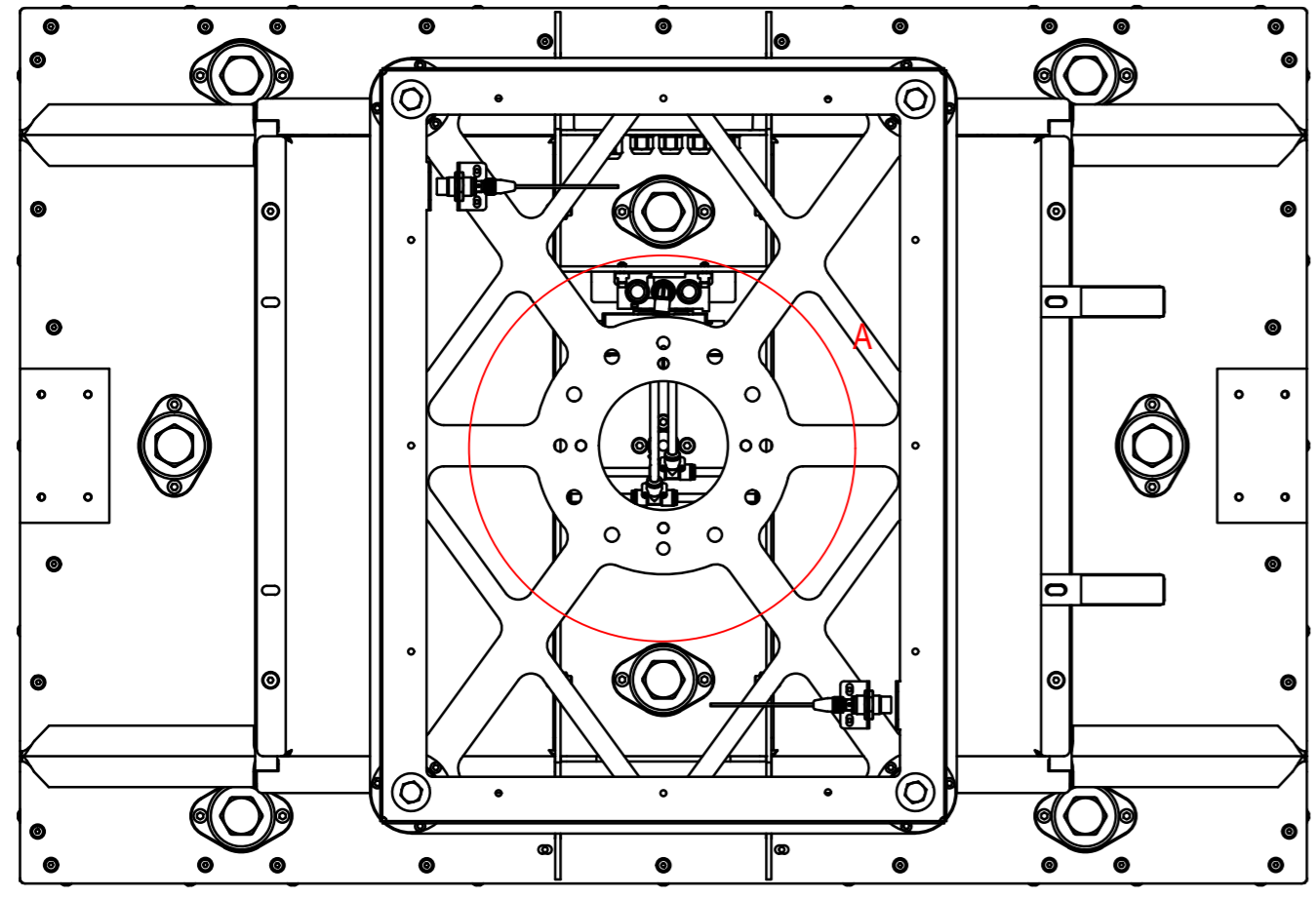


DOC.NR.	REV	DATE	BY	DESCRIPTION
E0168573	-	29-10-2024	EP	ORIGINAL DRAWING
E0168573	A	29-10-2024	EP	CHANGED FROM IF TO I5



ITEM	QTY	PART NUMBER	DESCRIPTION	Dimensions
8	8	E0159811	HPA-CO	
7	1	E0158506	HPA-FR-1250x850-AL	
6	1	E0161267	HPA-SU-3	
5	1	E0160257	HPA-E-TB-NA-N-HW	
4	1	E0164202	HPA-STICKER SET	
3	1	E0161182	HPA-PNEUMATIC MAGNET PLATE MODULE	
2	1	E0160412	HPA-CENTRAL PART	
1	1	E0160680	HPA-MP-1250x850-M5	

RAW MAT.	Quantity	Material Number	Material Description	Length (mm)	Width (mm)
⊕	1				
Sheet:	A2		Extra info:	General tolerance: ISO 2768 - mK	
Drawn:	EP		Weight (kg): 170	Drawn according: ISO286; ISO1101; ISO2553	
Date:	29-10-2024			Status: Released	
Spare part:	False			Customer reference number:	
Quick search:			 <small>© All rights reserved. Reproduction is not permitted without written permission of GOUDSMIT Magnetic Systems BV</small>	Document number:	Doc.Rev:
Description:	HPA-N-I5-AL-1250-850-S3			E0168573	A
				Part number:	Rev:
				E0168573	A