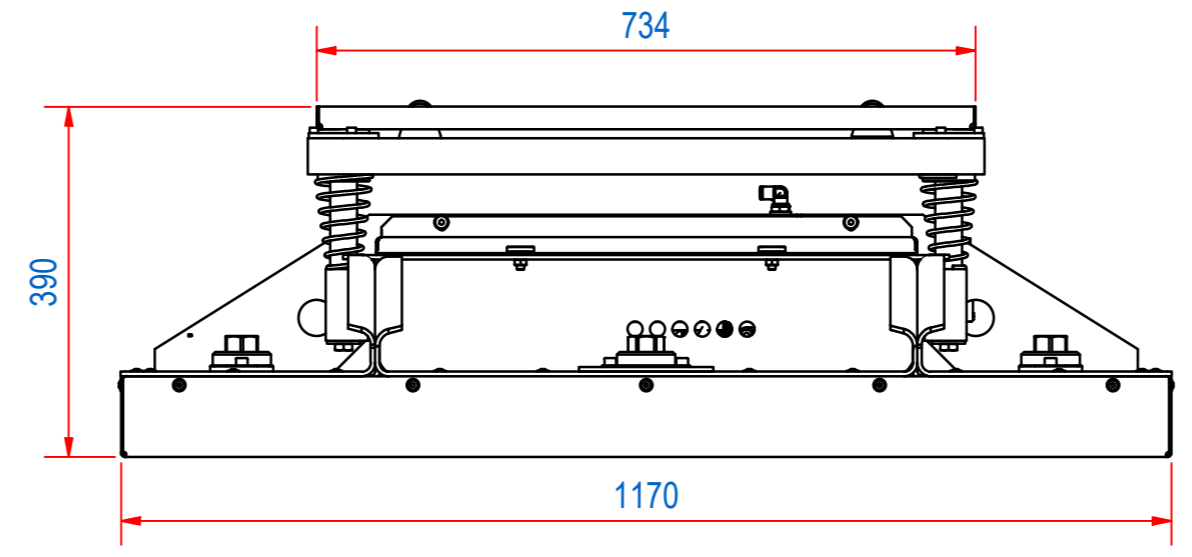
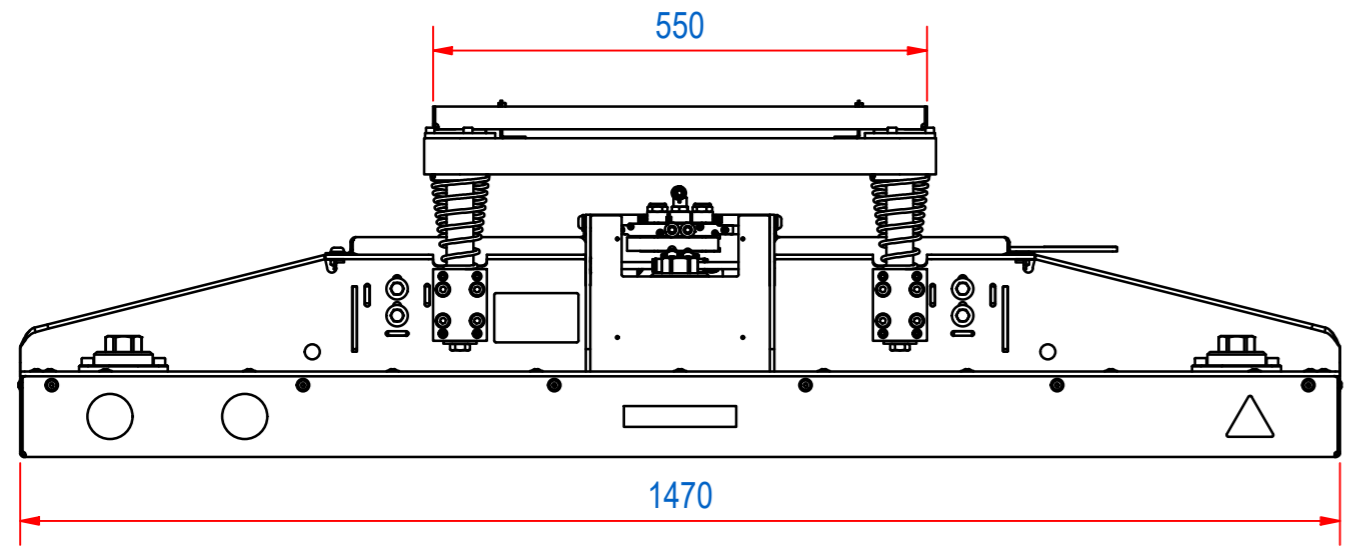
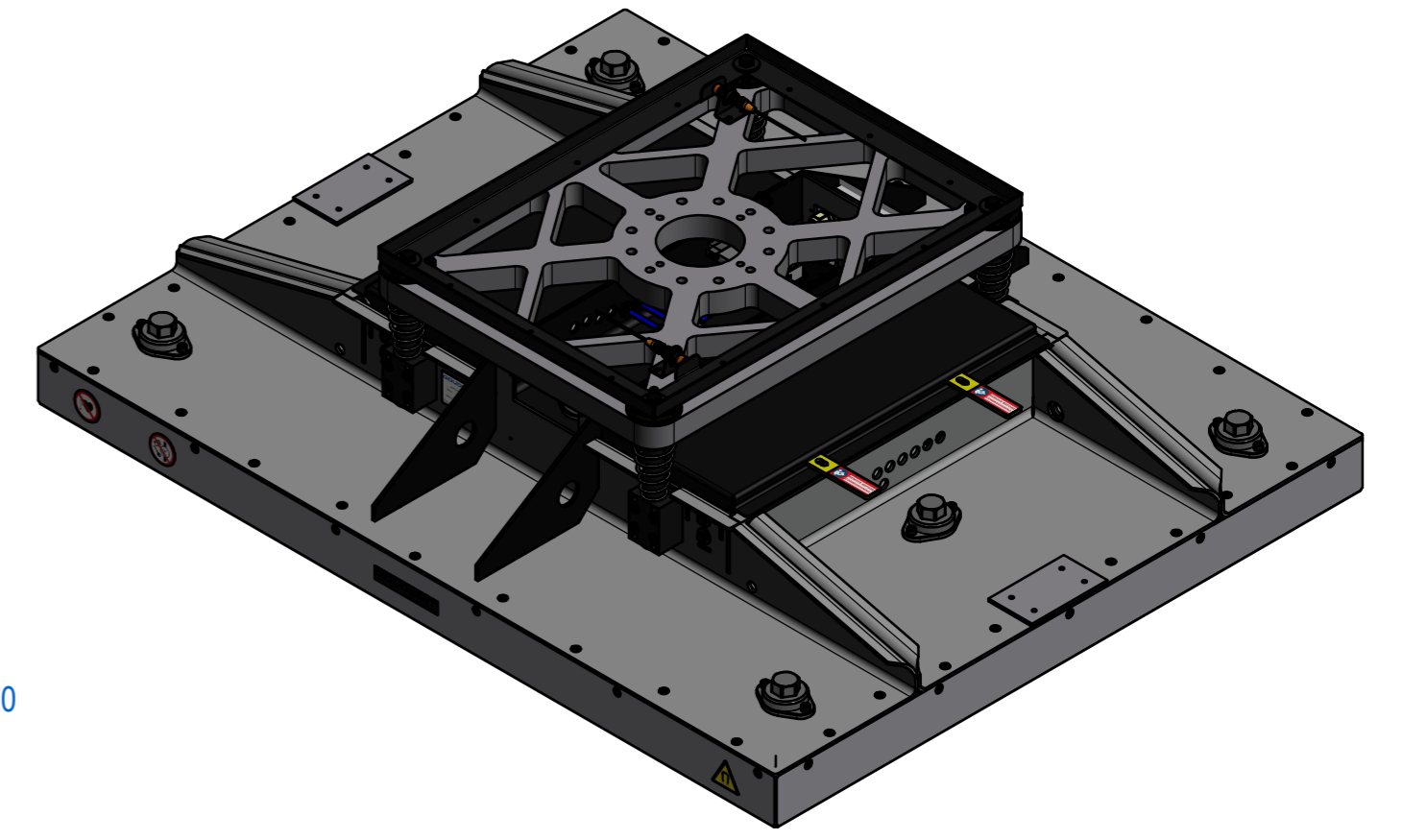
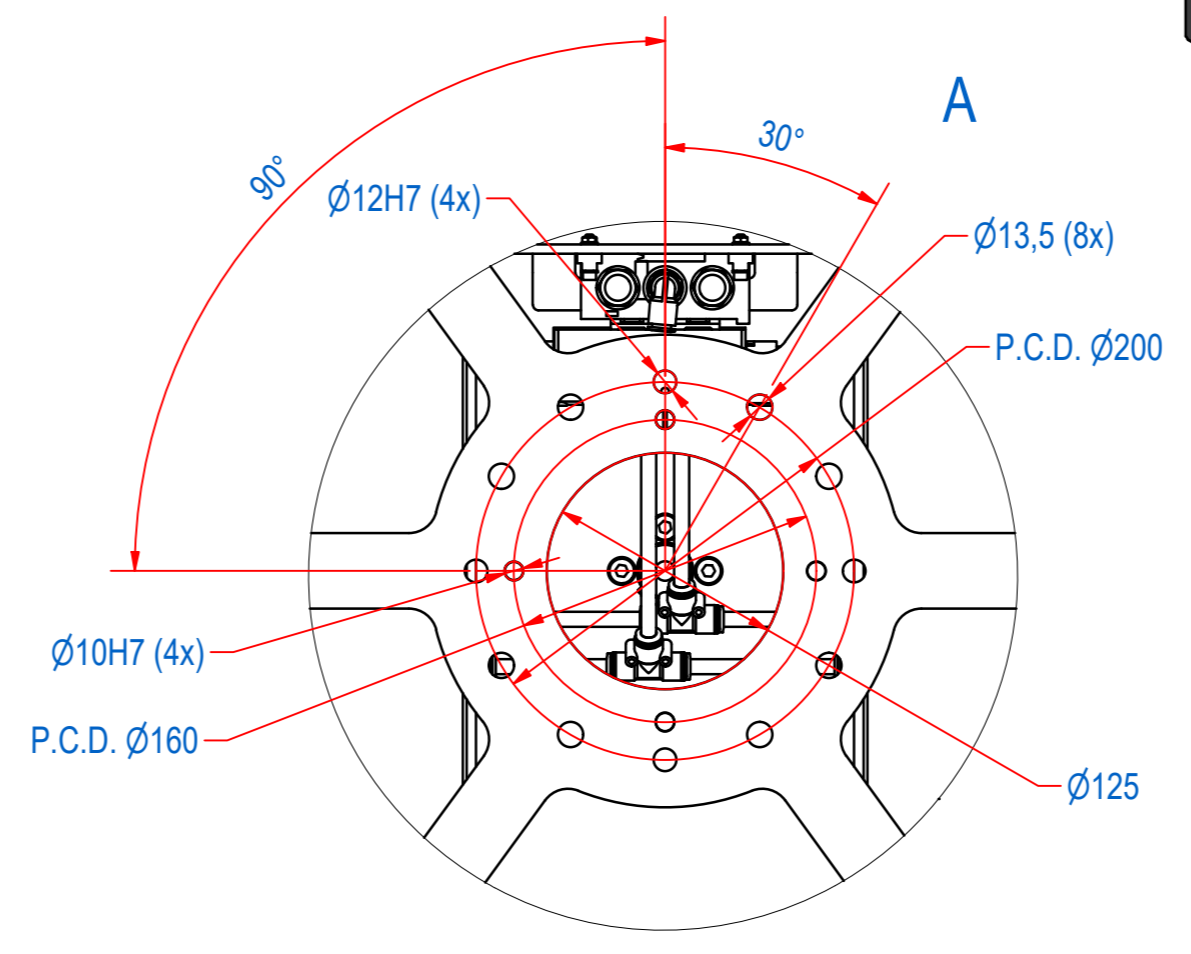
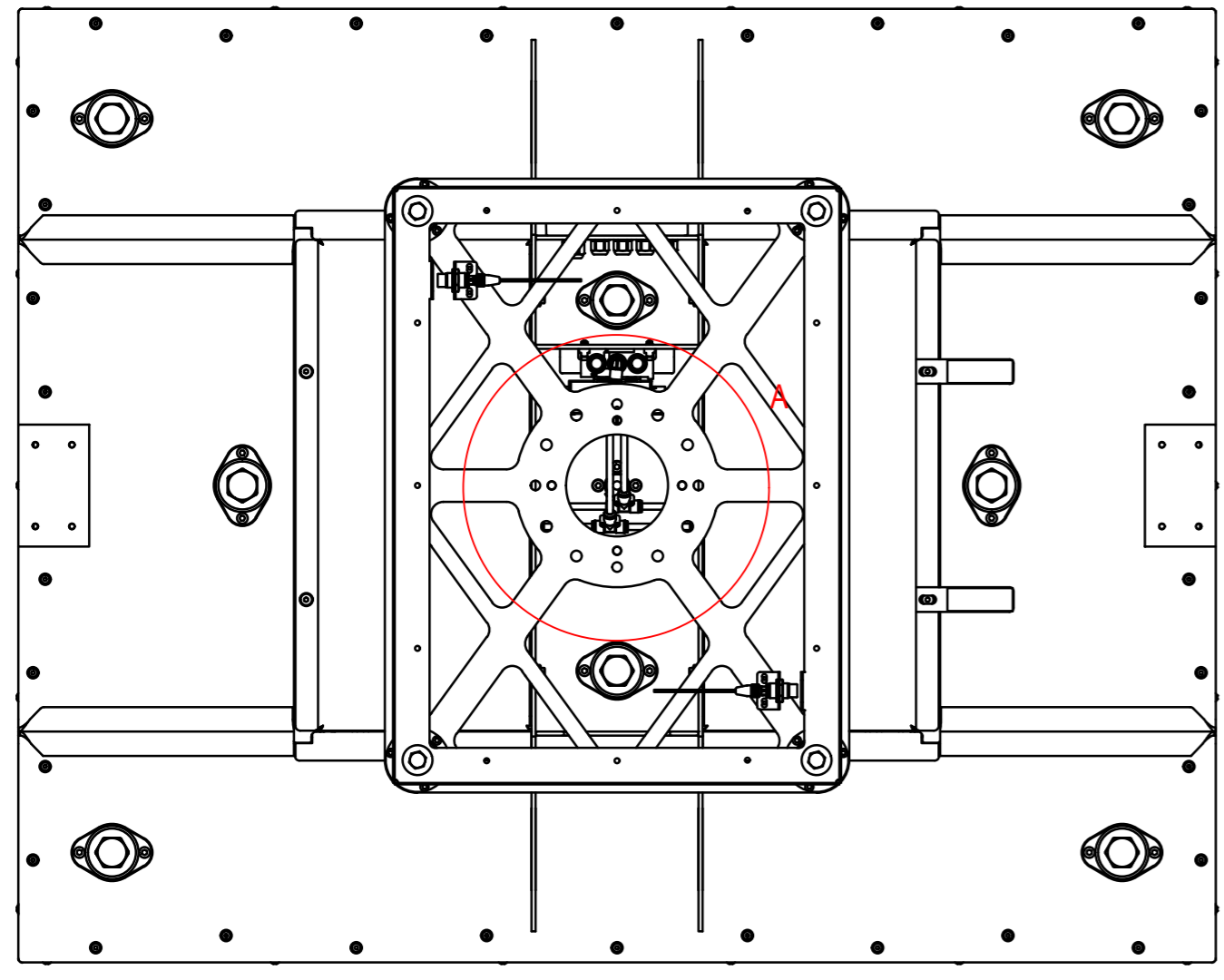


3	2		1	
DOC.NR.	REV	DATE	BY	DESCRIPTION
E0168585	-	29-10-2024	LH	ORIGINAL DRAWING



8	1	E0158794	HPA-FR-1470x1170-AL	
7	8	E0159811	HPA-CO	
6	1	E0161267	HPA-SU-3	
5	1	E0160257	HPA-E-TB-NA-N-HW	
4	1	E0164202	HPA-STICKER SET	
3	1	E0161182	HPA-PNEUMATIC MAGNET PLATE MODULE	
2	1	E0160412	HPA-CENTRAL PART	
1	1	E0160686	HPA-MP-1470x1170-M5	

ITEM	QTY	PART NUMBER	DESCRIPTION	Dimensions
RAW MAT.	1			
Quantity		Material Number	Material Description	Length (mm) Width (mm)
Sheet: A2		Extra info:		General tolerance: ISO 2768 - mK
Drawn: LH		Weight (kg): 245		Drawn according: ISO286; ISO1101; ISO2553
Date: 29-10-2024		Status: Released		Customer reference number:
Spare part: False		Source:		Document number: E0168585 Doc.Rev:
Quick search:		© All rights reserved. Reproduction is not permitted without written permission of GOUDSMIT Magnetic Systems BV		Part number: E0168585 Rev:
Description: HPA-N-I5-AL-1470-1170-S3				