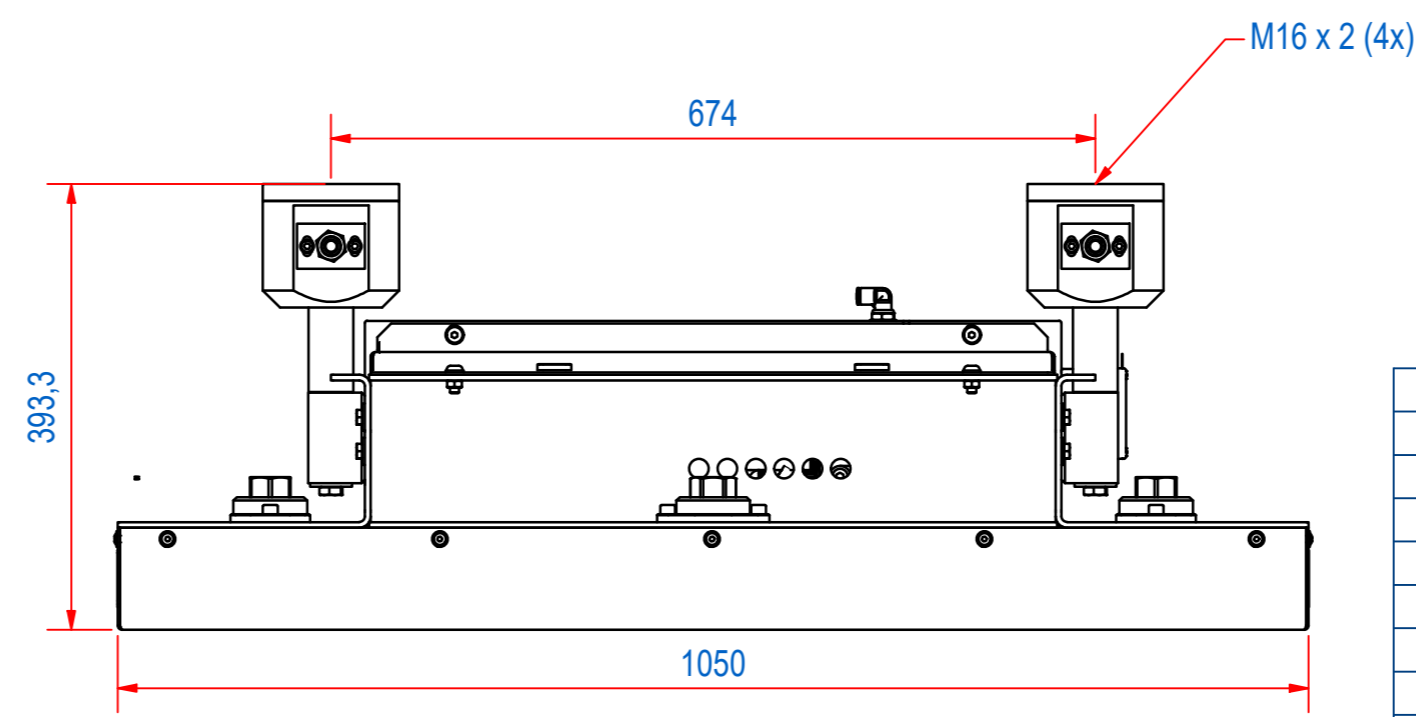
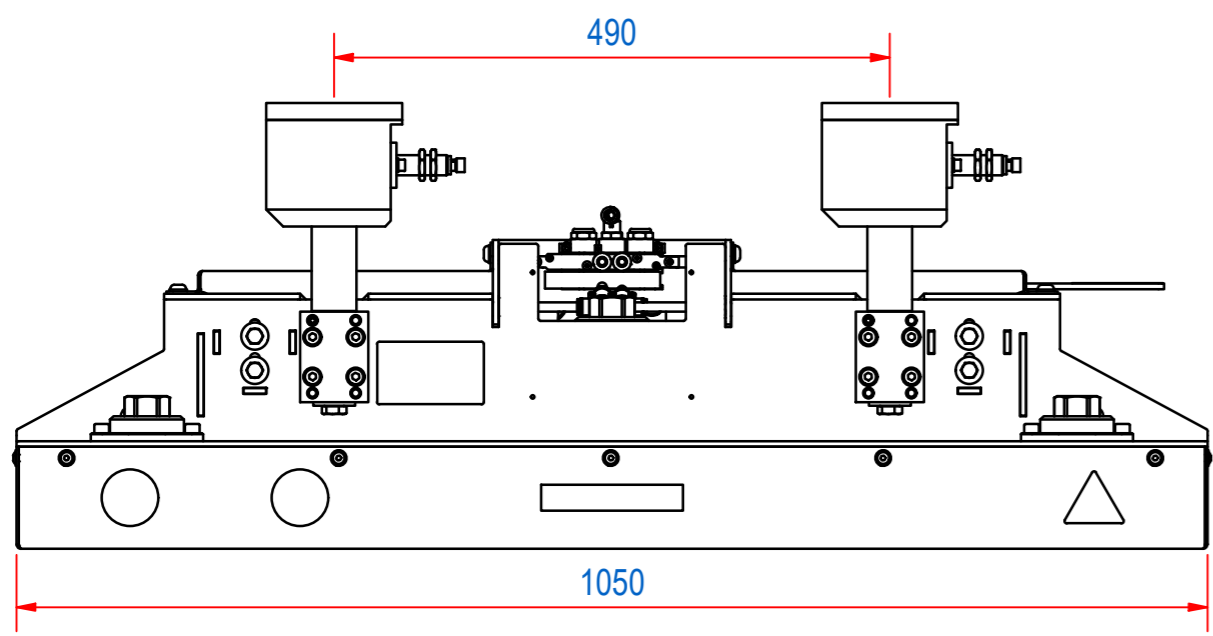
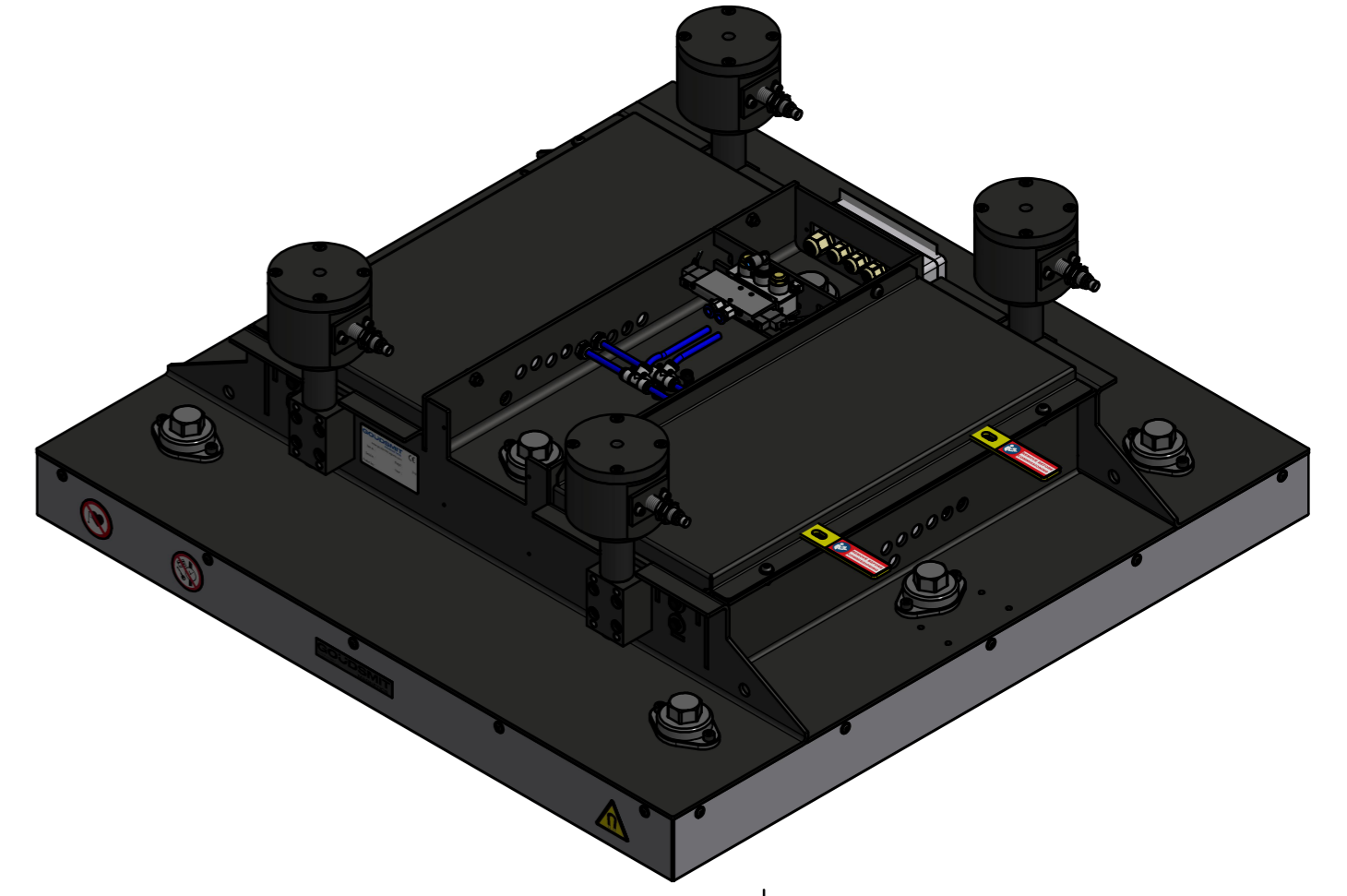
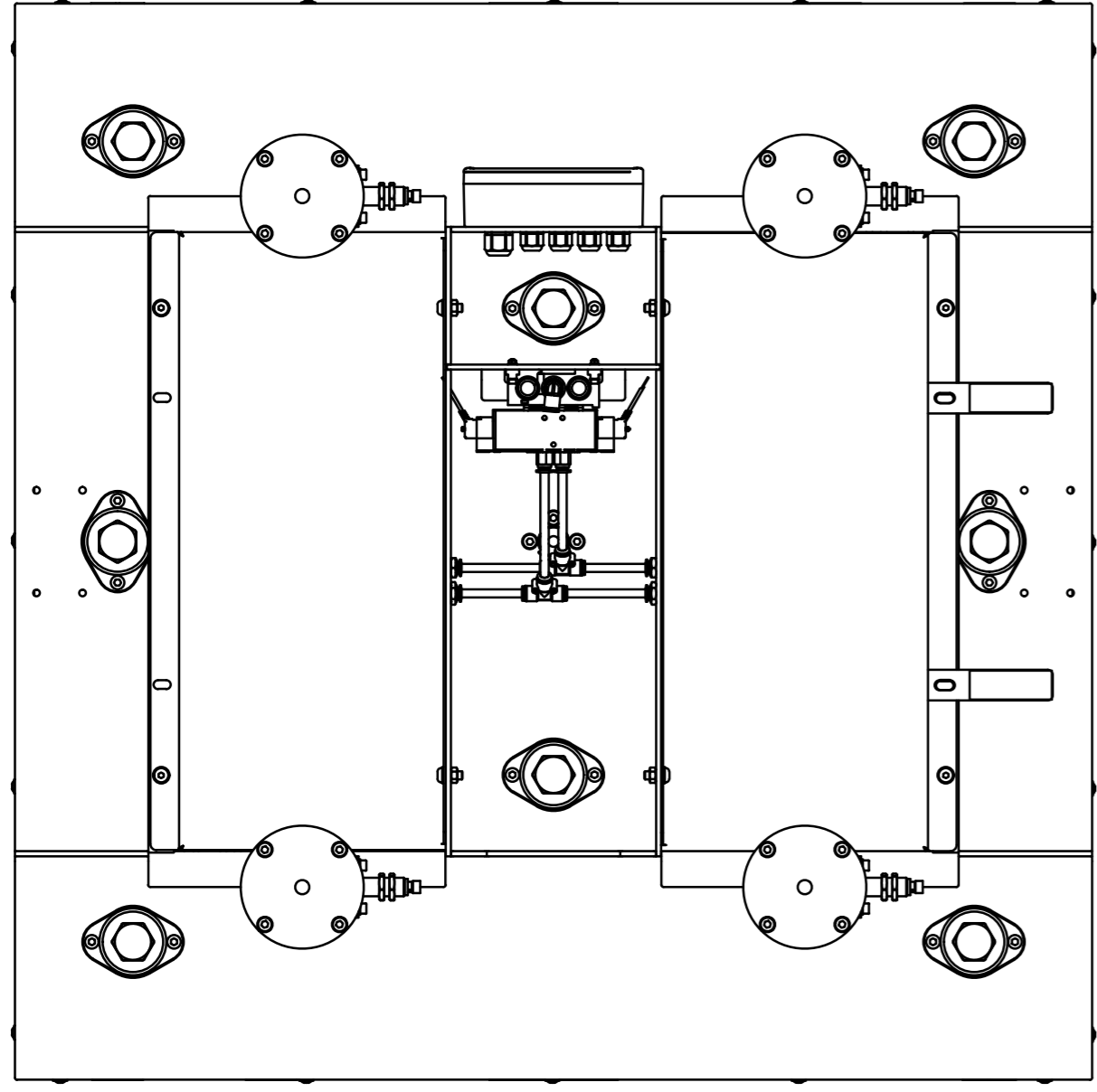


3	2		1	
DOC.NR.	REV	DATE	BY	DESCRIPTION
E0168587	-	29-10-2024	LH	ORIGINAL DRAWING



ITEM	QTY	PART NUMBER	DESCRIPTION	Dimensions
8	1	E0161413	HPA-SU-7	
7	1	E0160617	HPA-FR-1050x1050-SS	
6	8	E0159811	HPA-CO	
5	1	E0160257	HPA-E-TB-NA-N-HW	
4	1	E0164202	HPA-STICKER SET	
3	1	E0161182	HPA-PNEUMATIC MAGNET PLATE MODULE	
2	1	E0160412	HPA-CENTRAL PART	
1	1	E0160356	HPA-MP-1050x1050-M10	

RAW MAT.	Quantity	Material Number	Material Description	Length (mm)	Width (mm)
	1				

Sheet: <b>A2</b> Drawn: <b>LH</b> Date: <b>29-10-2024</b> Spare part: <b>False</b>	Extra info: Weight (kg): <b>235</b> Source: <b>GOUDSMIT MAGNETICS</b> <small>© All rights reserved. Reproduction is not permitted without written permission of GOUDSMIT Magnetic Systems BV</small>	General tolerance: <b>ISO 2768 - mK</b> Drawn according: <b>ISO286; ISO1101; ISO2553</b> Status: <b>Released</b> Customer reference number: Document number: <b>E0168587</b> Part number: <b>E0168587</b>
---------------------------------------------------------------------------------------------	------------------------------------------------------------------------------------------------------------------------------------------------------------------------------------------------------------------	--------------------------------------------------------------------------------------------------------------------------------------------------------------------------------------------------------------------------

Description: **HPA-N-IM-SS-1050-1050-S7**