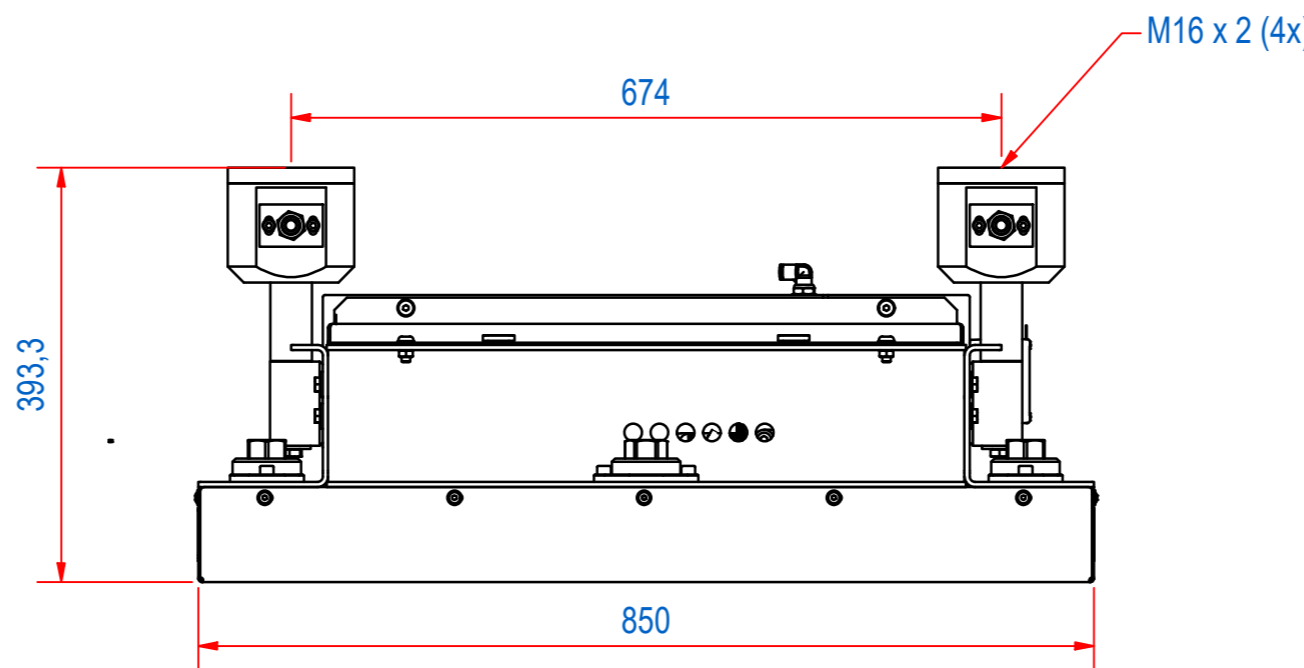
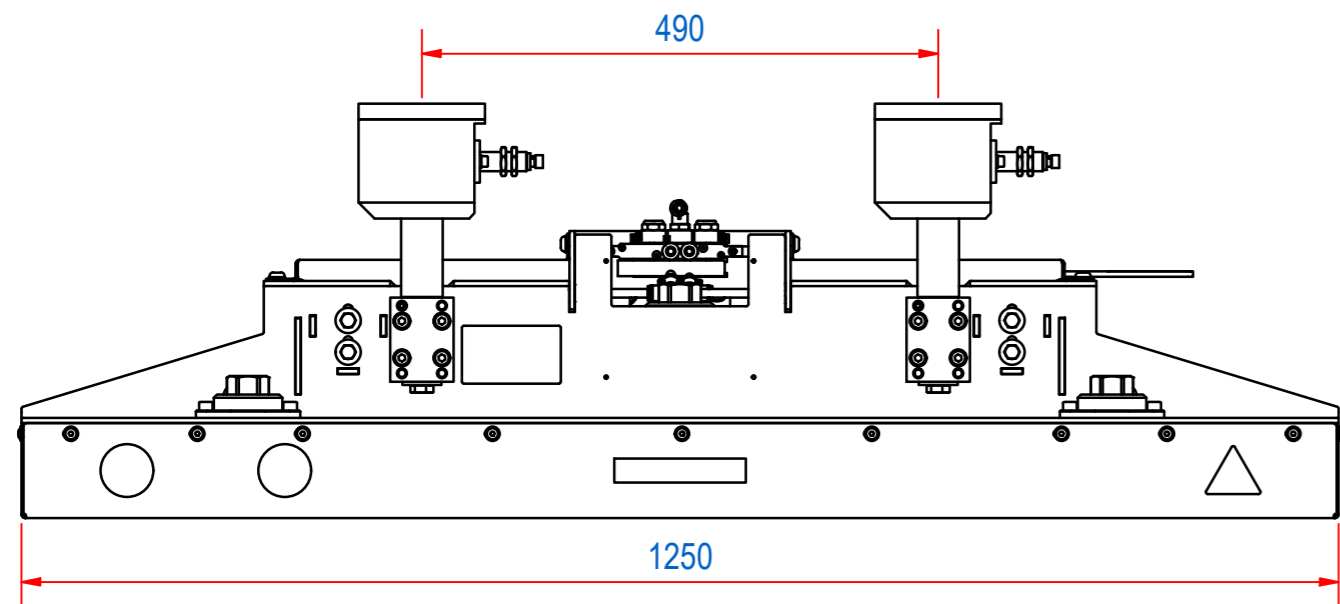
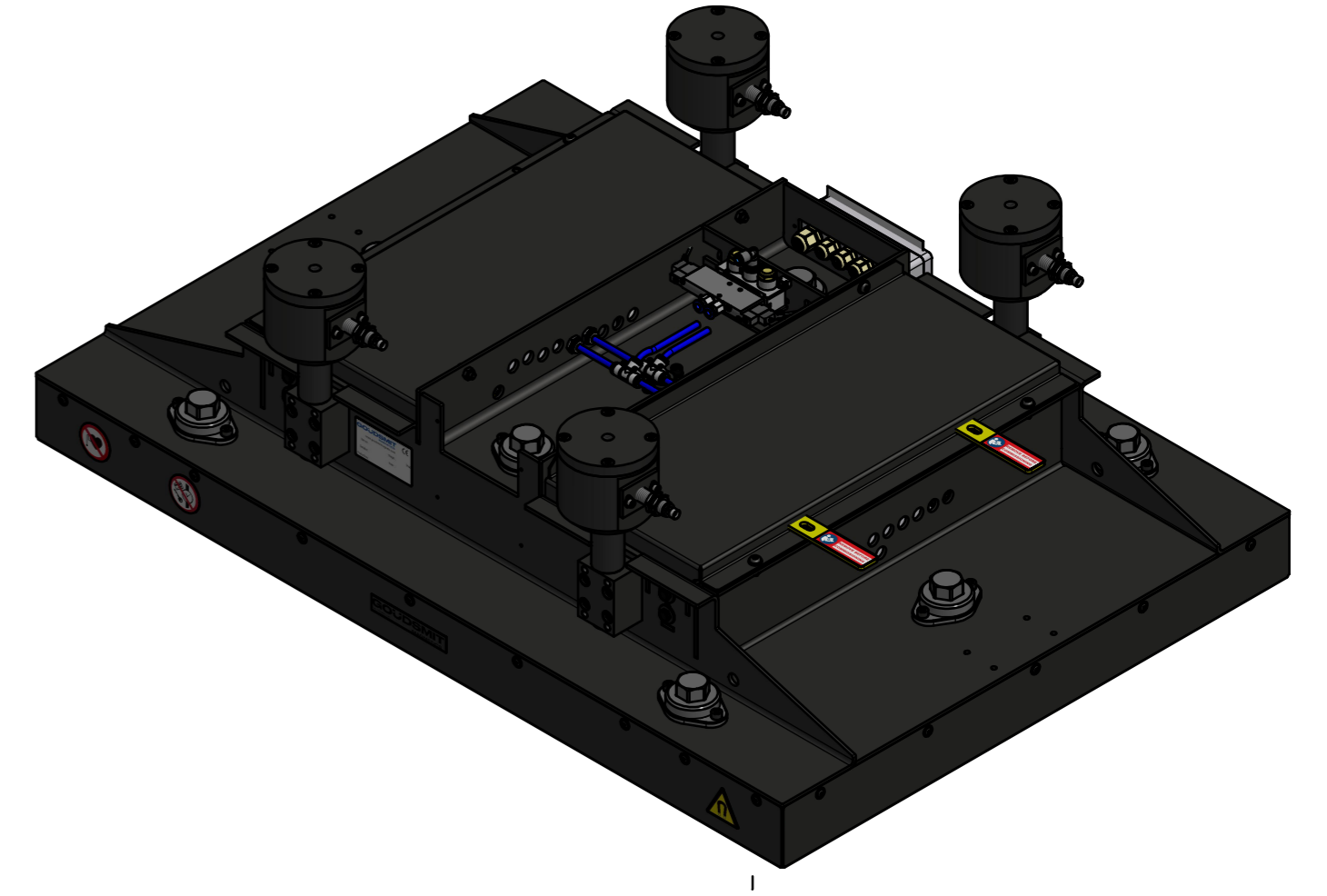
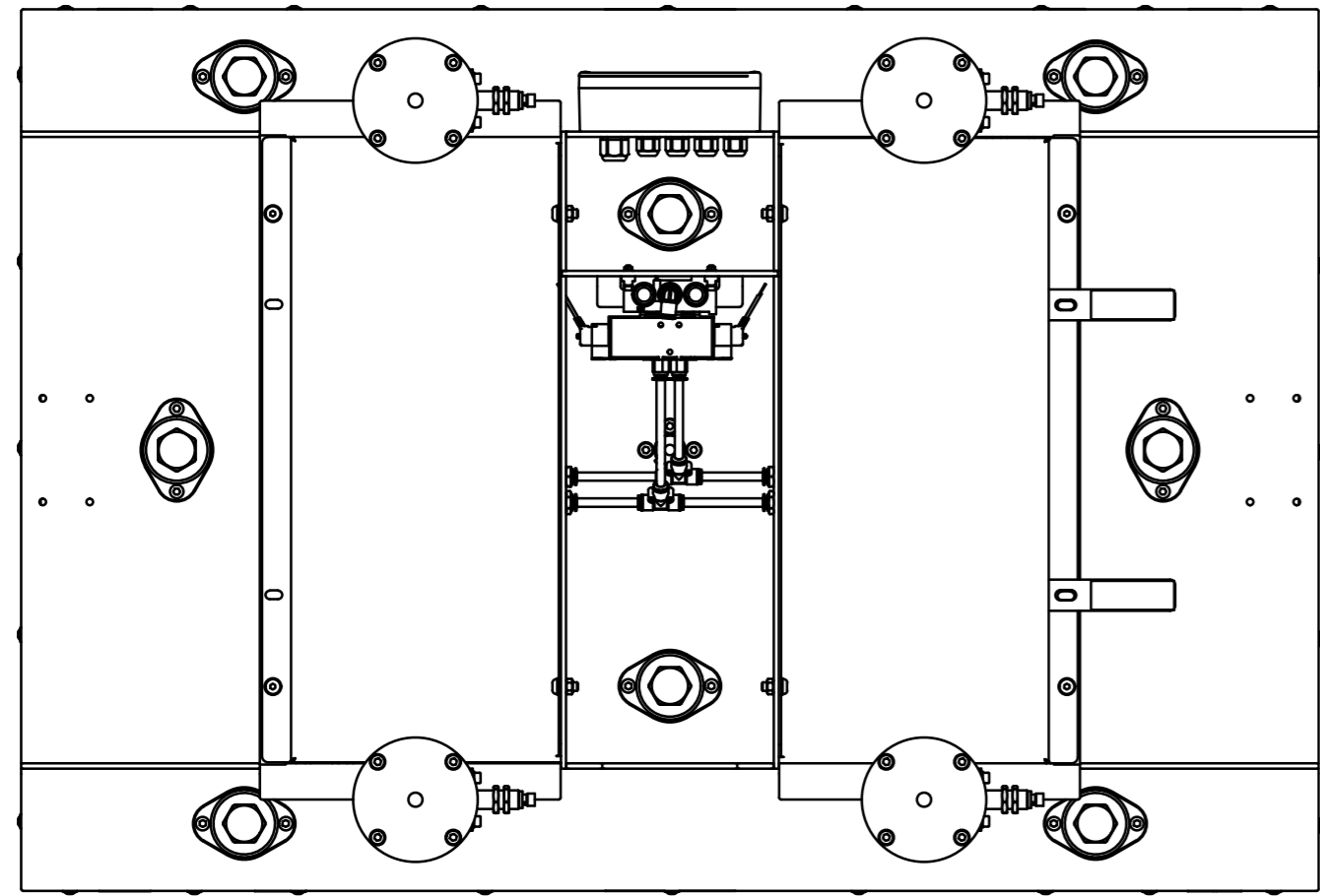


3	2		1	
DOC.NR.	REV	DATE	BY	DESCRIPTION
E0168591	-	29-10-2024	LH	ORIGINAL DRAWING



ITEM	QTY	PART NUMBER	DESCRIPTION	Dimensions
8	1	E0161413	HPA-SU-7	
7	1	E0160610	HPA-FR-1250x850-SS	
6	8	E0159811	HPA-CO	
5	1	E0160257	HPA-E-TB-NA-N-HW	
4	1	E0164202	HPA-STICKER SET	
3	1	E0161182	HPA-PNEUMATIC MAGNET PLATE MODULE	
2	1	E0160412	HPA-CENTRAL PART	
1	1	E0160264	HPA-MP-1250x850-M10	

RAW MAT.	Quantity	Material Number	Material Description	Length (mm)	Width (mm)
	1				

Sheet: <b>A2</b>	Extra info:	General tolerance: <b>ISO 2768 - mK</b>
Drawn: <b>LH</b>	Weight (kg): <b>225</b>	Drawn according: <b>ISO286; ISO1101; ISO2553</b>
Date: <b>29-10-2024</b>		Status: <b>Released</b>
Spare part: <b>False</b>	Source:	Customer reference number:
Quick search:	<b>GOUDSMIT MAGNETICS</b>	
Description: <b>HPA-N-IM-SS-1250-850-S7</b>	<small>© All rights reserved. Reproduction is not permitted without written permission of GOUDSMIT Magnetic Systems BV</small>	
	Document number: <b>E0168591</b>	Doc.Rev: <b>-</b>
	Part number: <b>E0168591</b>	Rev: <b>-</b>