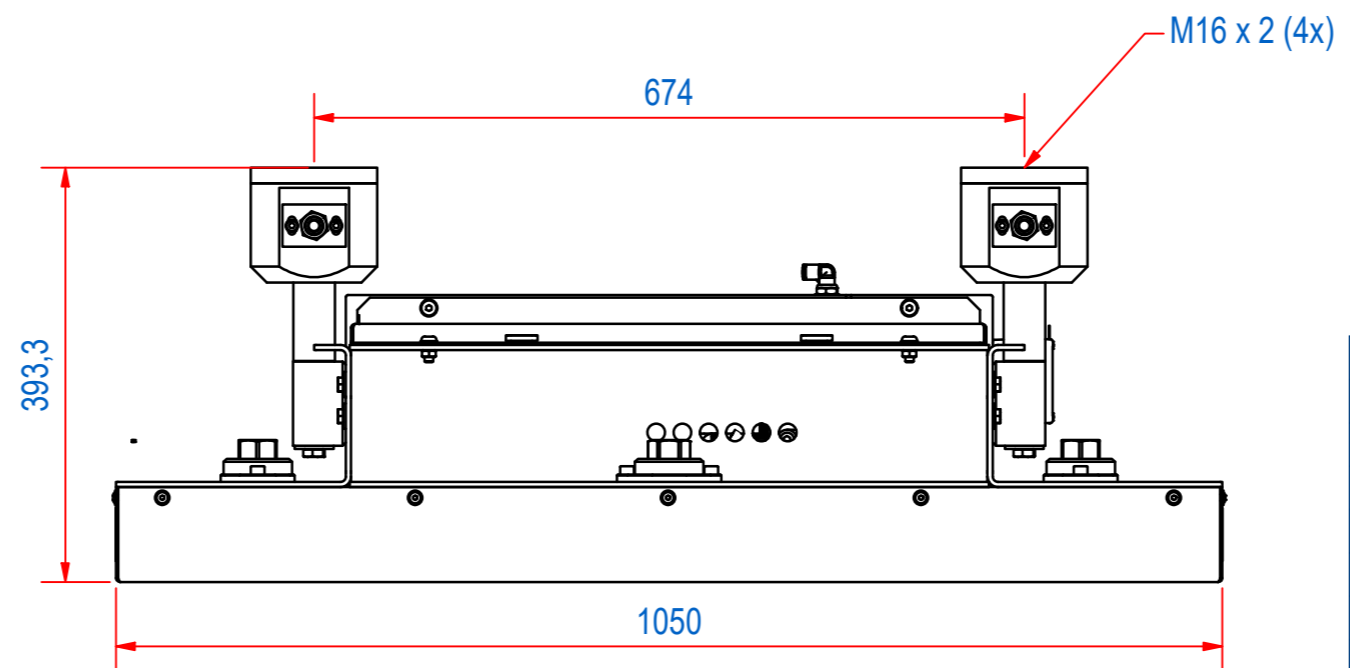
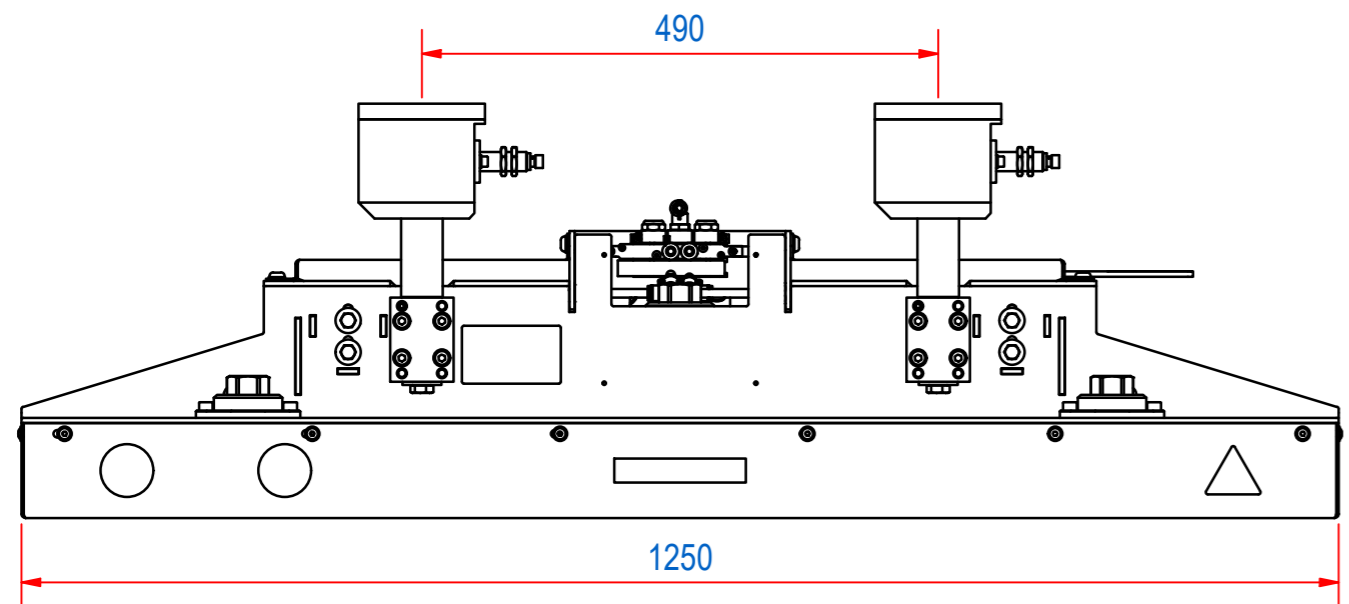
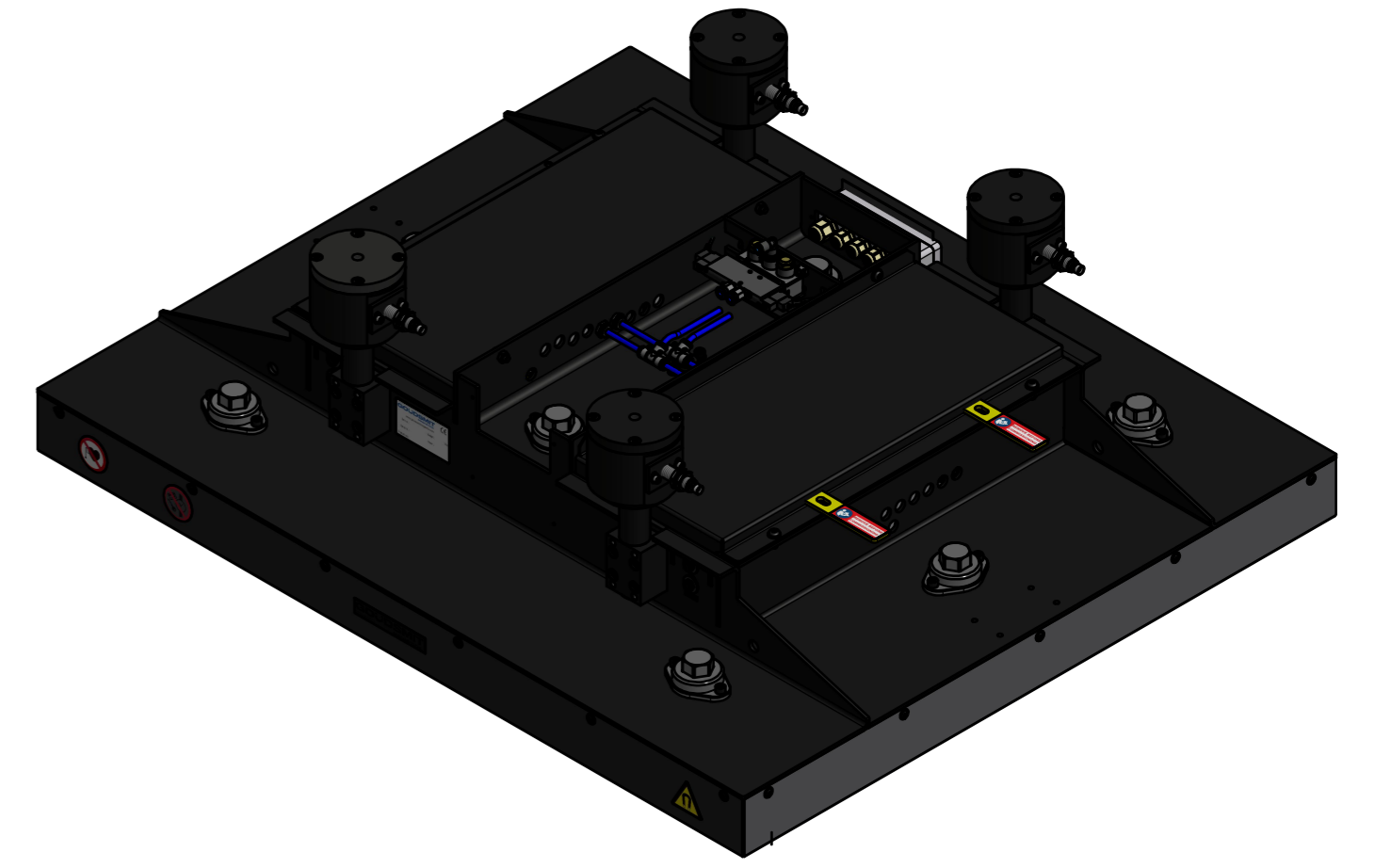
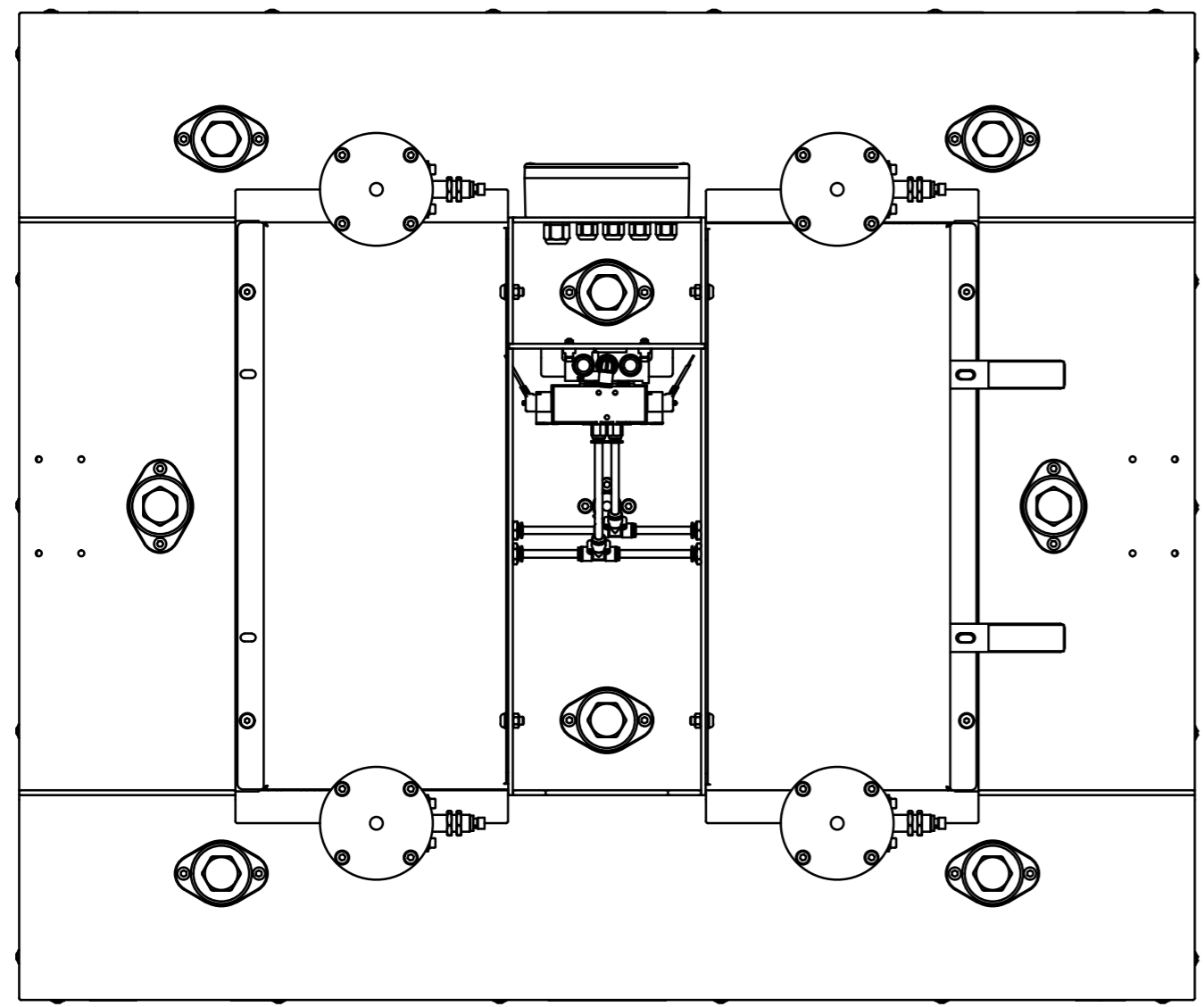


3	2		1	
DOC.NR.	REV	DATE	BY	DESCRIPTION
E0168593	-	29-10-2024	LH	ORIGINAL DRAWING



ITEM	QTY	PART NUMBER	DESCRIPTION	Dimensions
8	1	E0161413	HPA-SU-7	
7	1	E0160603	HPA-FR-1250x1050-SS	
6	8	E0159811	HPA-CO	
5	1	E0160257	HPA-E-TB-NA-N-HW	
4	1	E0164202	HPA-STICKER SET	
3	1	E0161182	HPA-PNEUMATIC MAGNET PLATE MODULE	
2	1	E0160412	HPA-CENTRAL PART	
1	1	E0159025	HPA-MP-1250x1050-M10	

RAW MAT.	Quantity	Material Number	Material Description	Length (mm)	Width (mm)
	1				
Sheet: A2		Extra info:		General tolerance: ISO 2768 - mK	
Drawn: LH		Weight (kg): 270		Drawn according: ISO286; ISO1101; ISO2553	
Date: 29-10-2024				Status: Released	
Spare part: False				Customer reference number:	
Quick search:		© All rights reserved. Reproduction is not permitted without written permission of GOUDSMIT Magnetic Systems BV		Document number: E0168593 Doc.Rev: -	
Description: HPA-N-IM-SS-1250-1050-S7		Part number: E0168593		Rev: -	