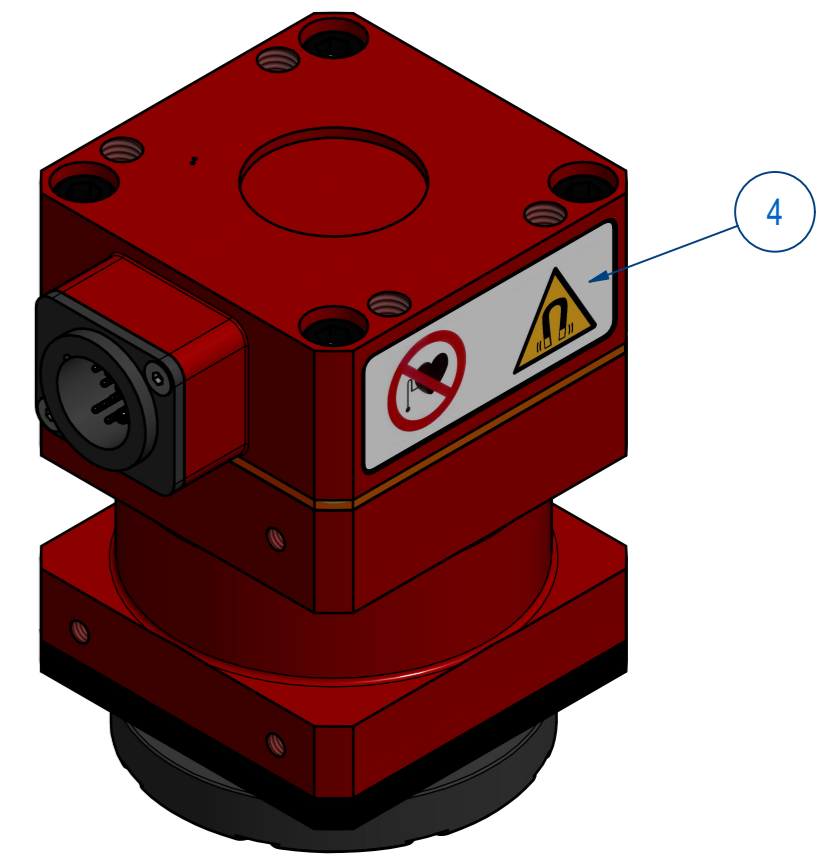
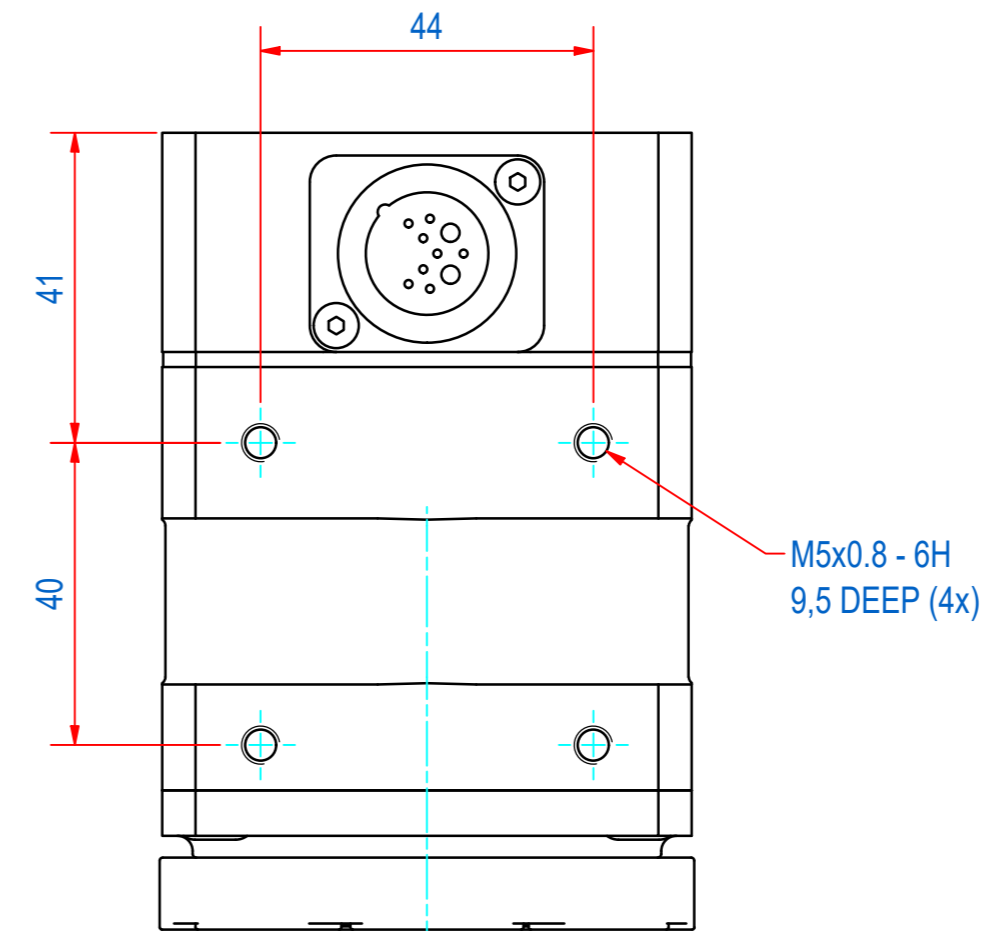
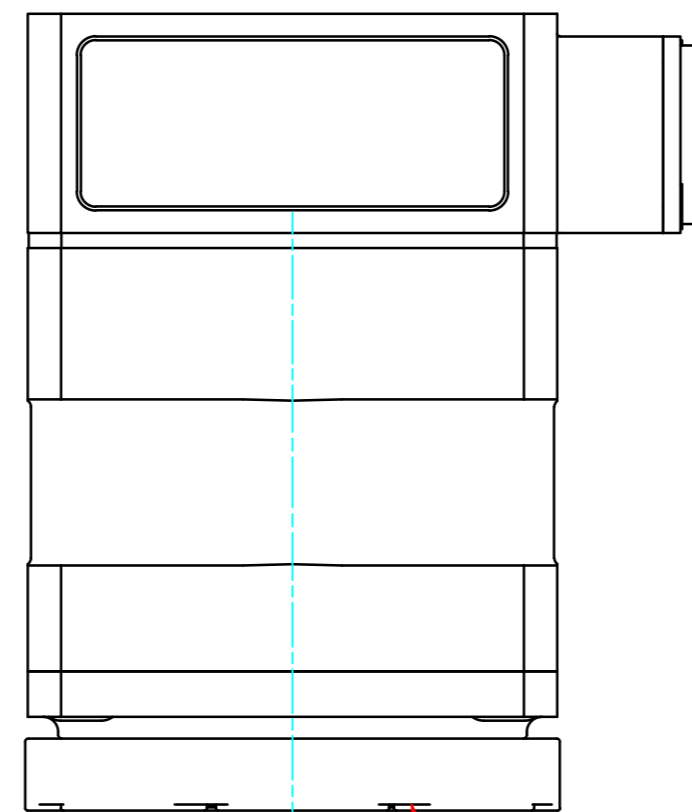
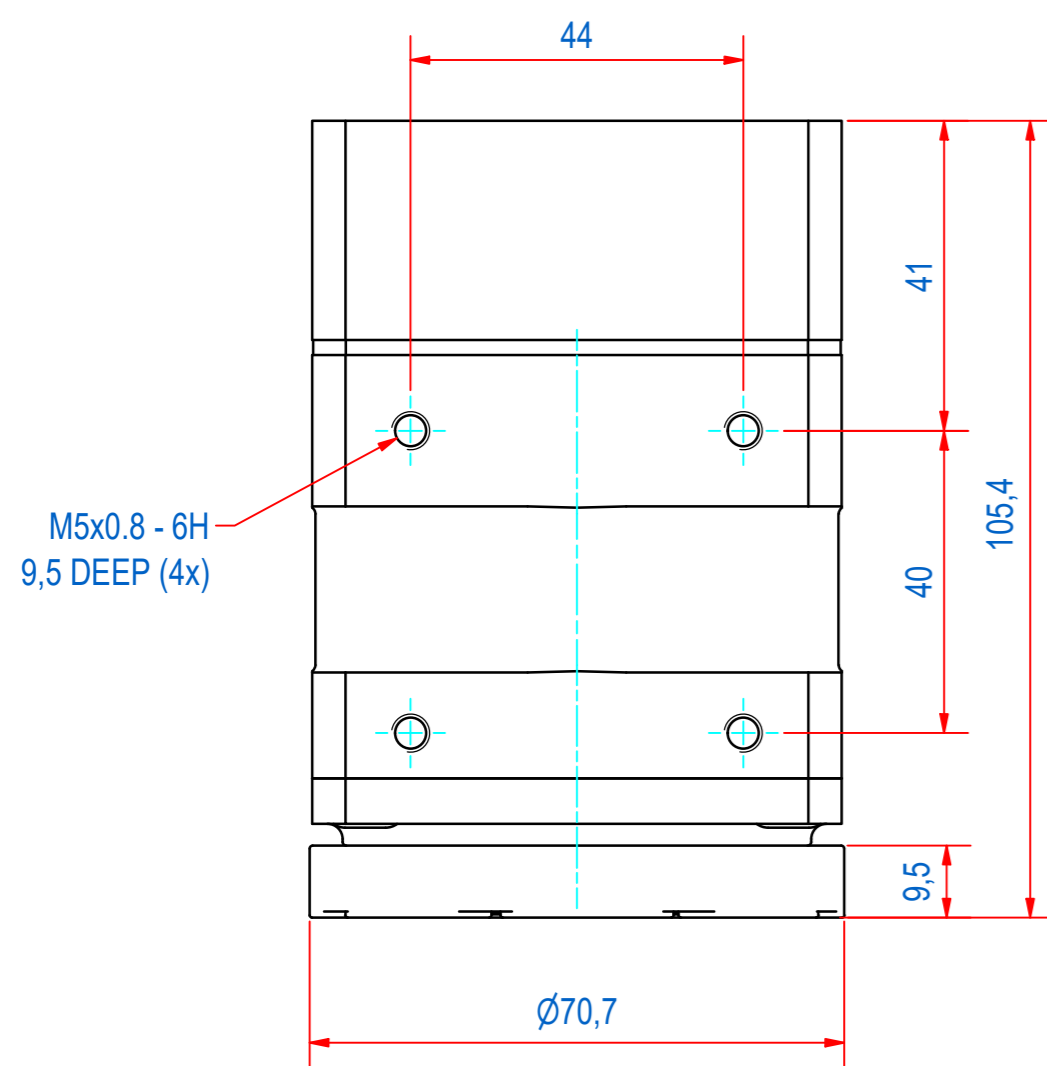
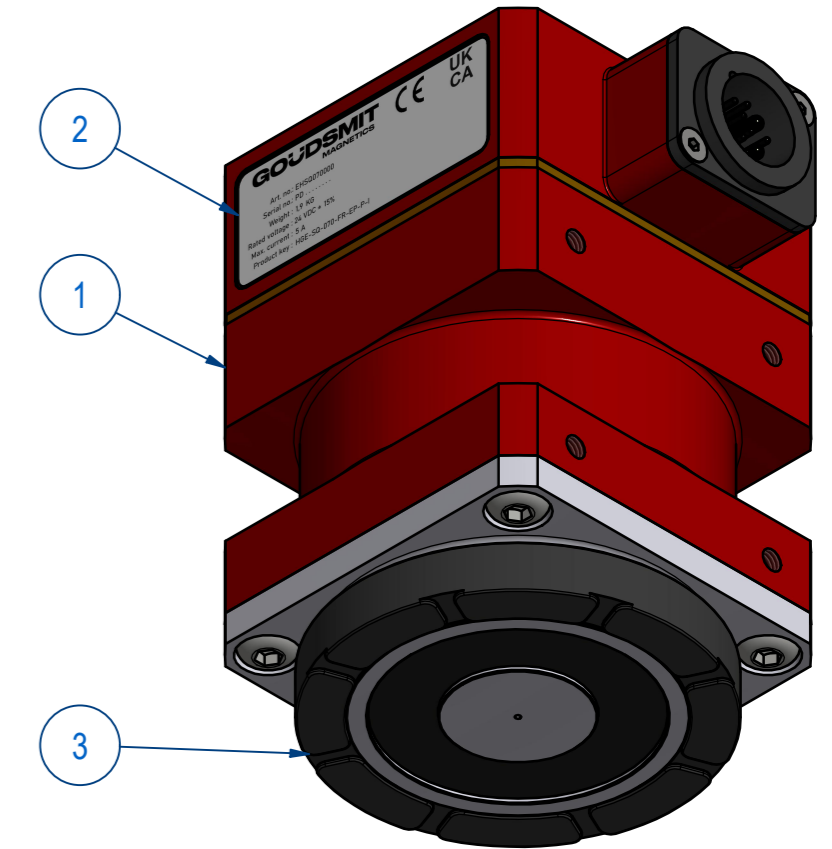
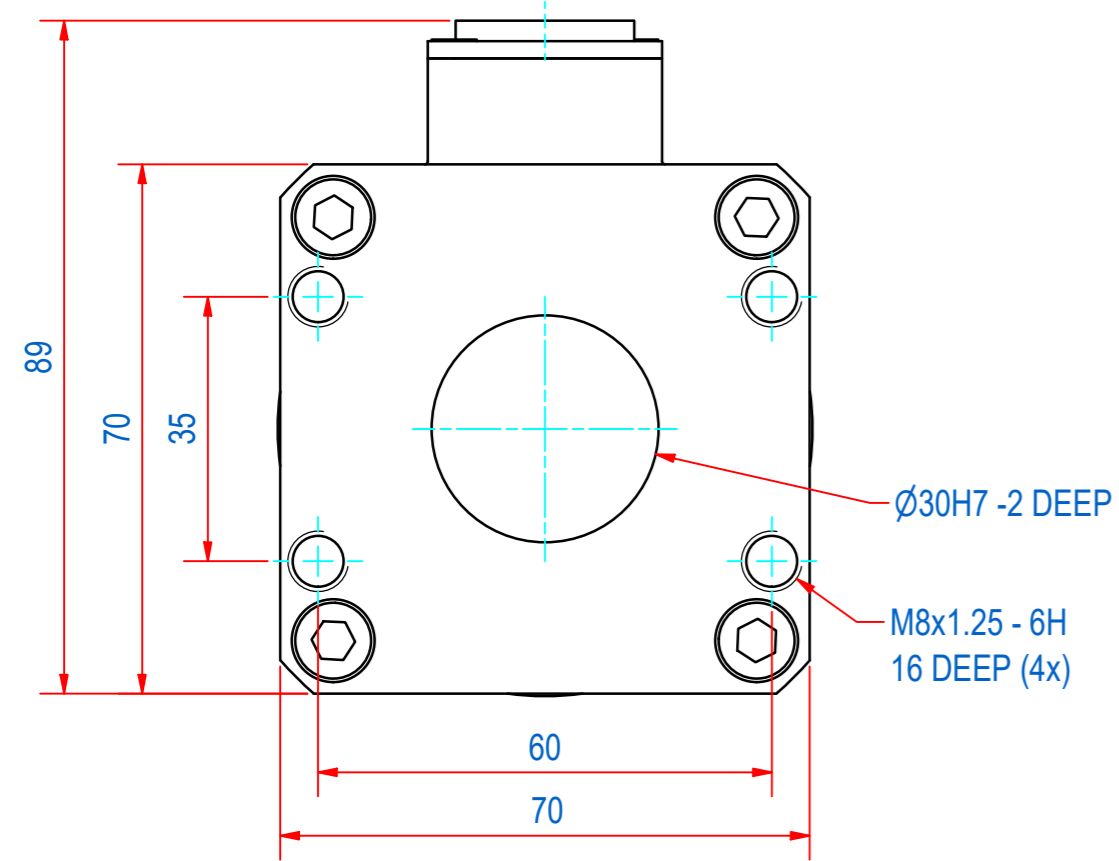


DOC.NR.	REV	DATE	BY	DESCRIPTION
EHSQ070000	E	7-3-2023	GS	changed color to red; changed PCBA-0
EHSQ070000	F	6-6-2023	GS	info 4.84A was 4.6A; up-dated several components
EHSQ070000	G	13-11-2024	GS	added safety sticker; changed E0127797



ITEM	QTY	PART NUMBER	DESCRIPTION	Dimensions
4	1	E0168975	HGE-SAFETY STICKER 56x22	
3	1	E0156922	HGE-070 FRICTION RING NBR60	
2	1	E0130123	HGE-070 STICKER	
1	1	E0127797	HGE-070 MAIN ASSY	

RAW MAT.	Quantity	Material Number	Material Description	Length (mm)	Width (mm)
	1				

Sheet: <b>A2</b> Drawn: <b>GS</b> Date: <b>19-3-2020</b> Spare part: <b>False</b> Quick search: <b>HGE070</b>	Extra info: <b>RATED VOLTAGE = 24 V DC</b> <b>MAX. CURRENT POWER = 4.84 A</b> <b>ACTIVATION TIME = 600 ms</b>	General tolerance: <b>ISO 2768 - mK</b> Drawn according: <b>ISO286; ISO1101; ISO2553</b> Status: <b>Released</b> Customer reference number: Document number: <b>EHSQ070000</b> Doc.Rev: <b>G</b> Part number: <b>EHSQ070000</b> Rev: <b>G</b>
---	--	--

Description: **HGE-SQ-070-FR-EP-P-I**  
 © All rights reserved. Reproduction is not permitted without written permission of GOUDSMIT Magnetic Systems BV.