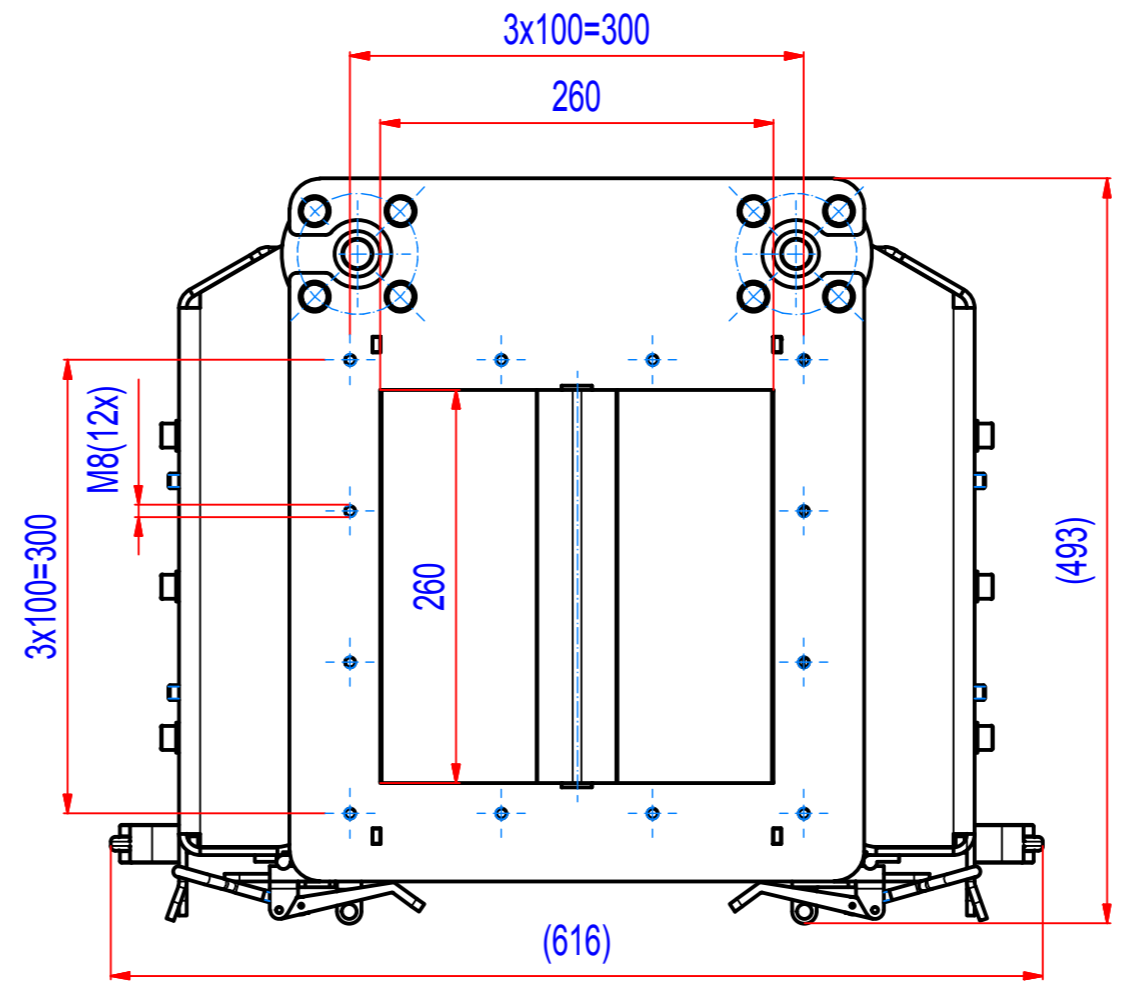
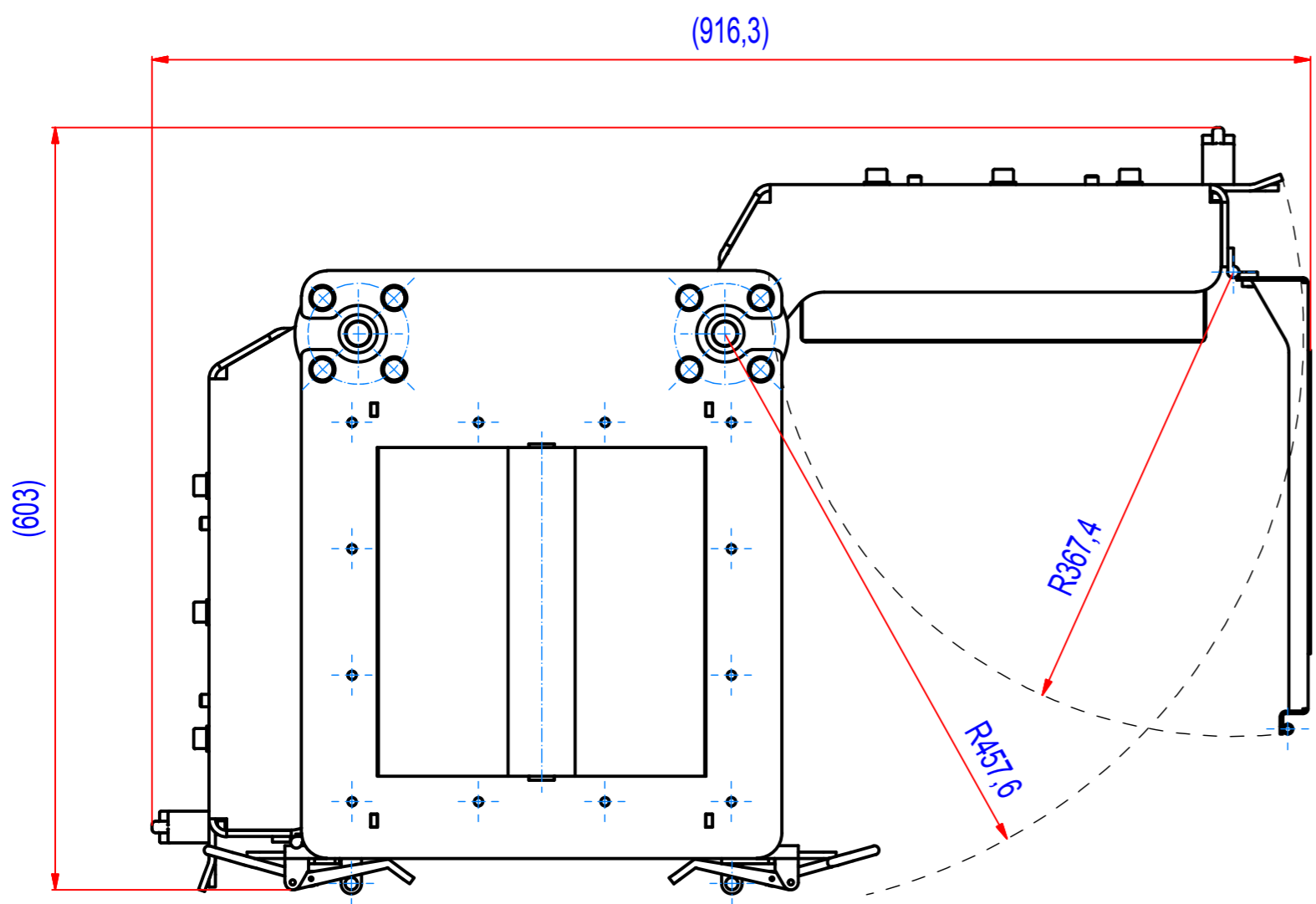
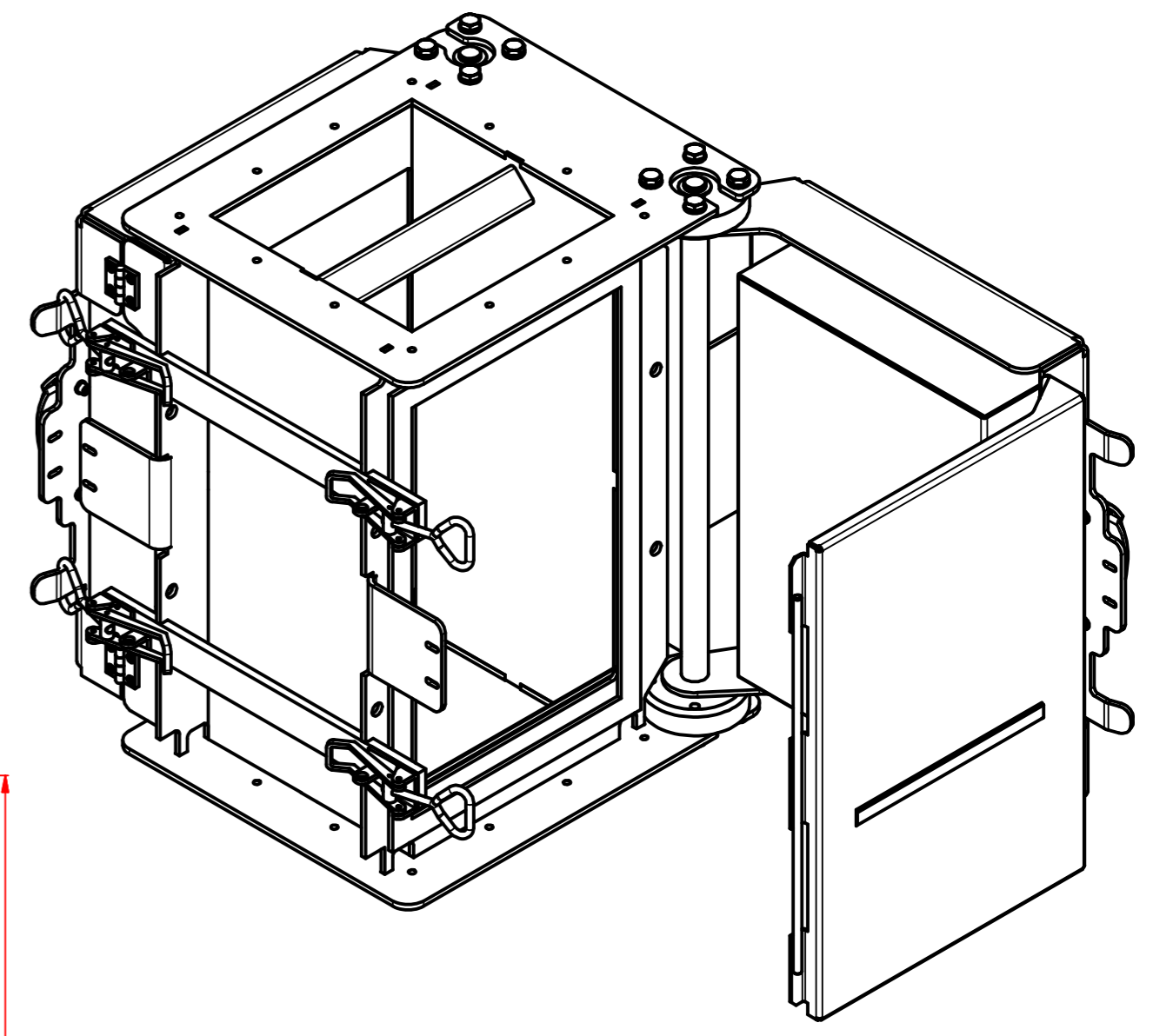
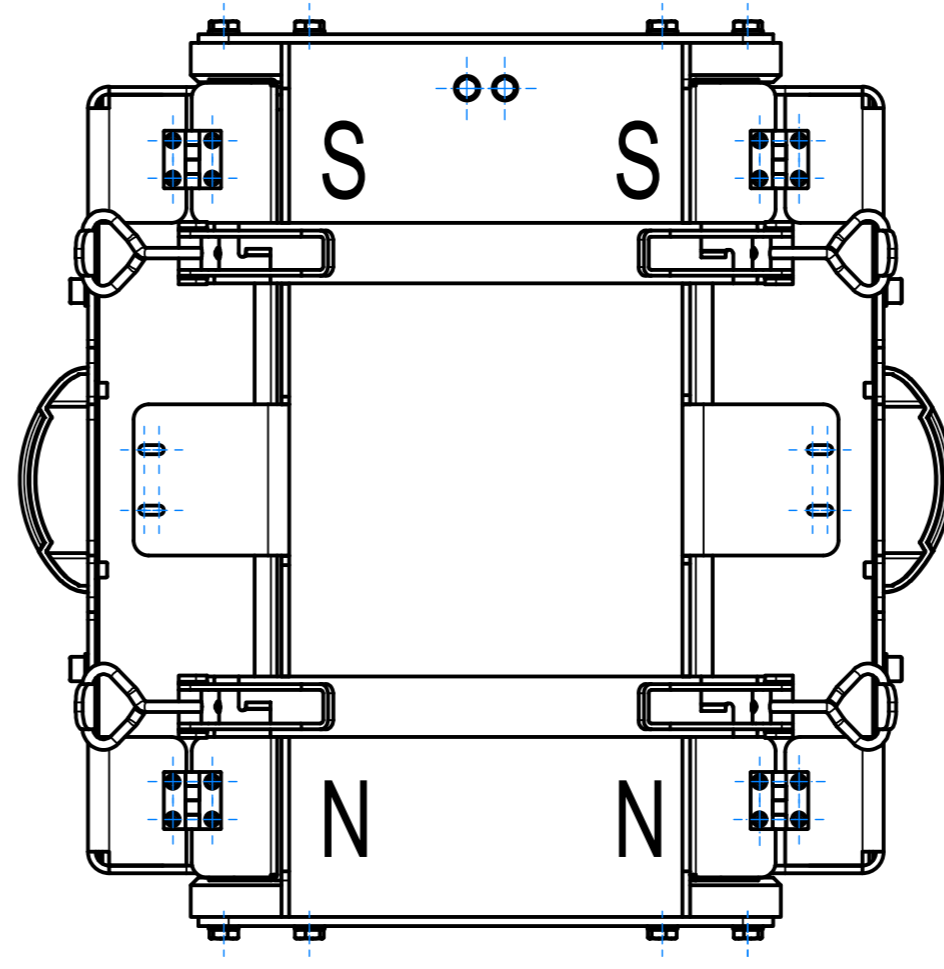
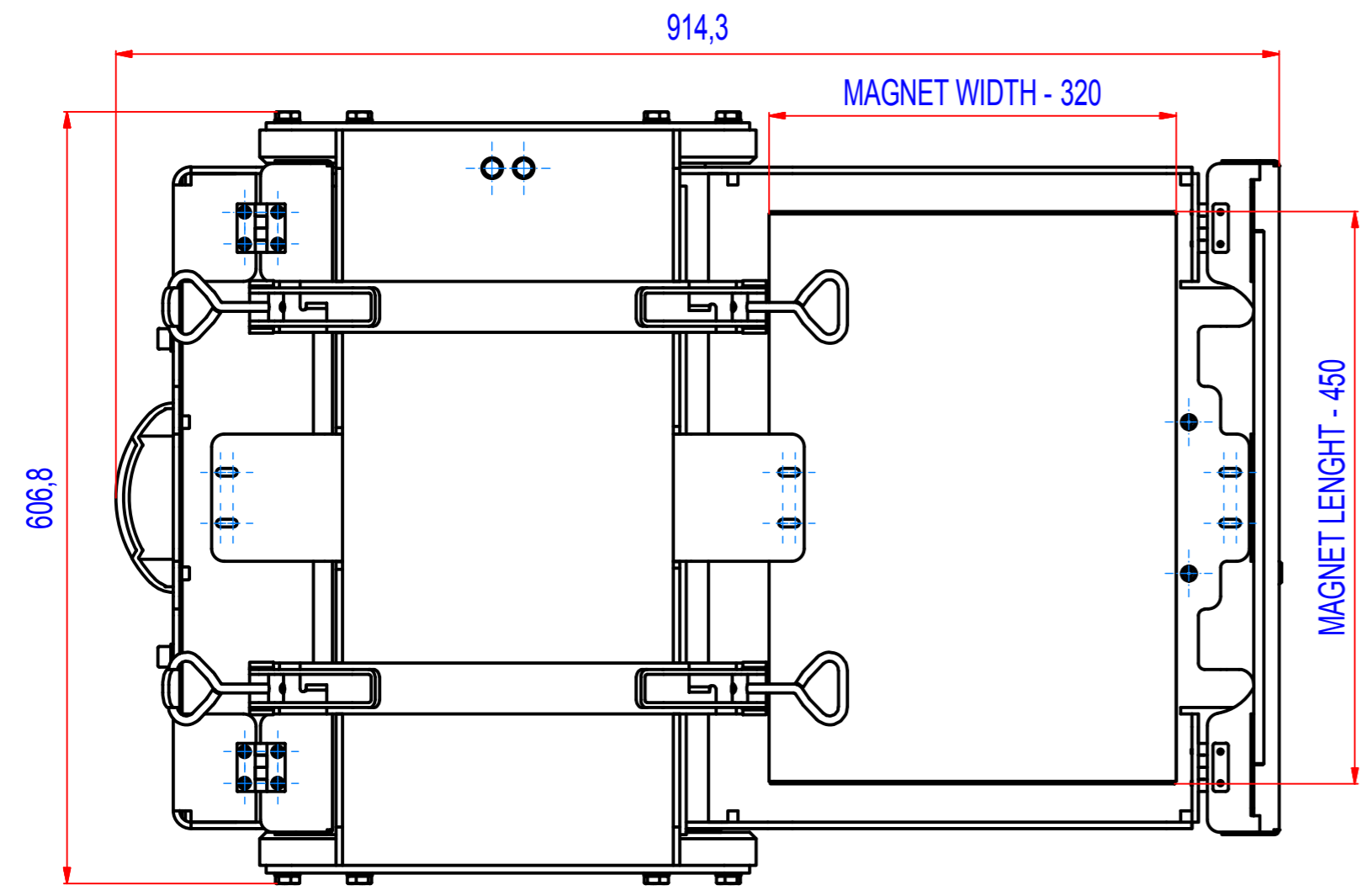


REV	BY	DATE	DESCRIPTION
-	PW	14.09.2017	New Vault, nothing changed, old rev.F



1	A063_000000	SBPF260001	239,7
POZ./POS.	Č. SOUČÁSTI / PART NUMBER	POPIS / DESCRIPTION	HMOT. / WEIGHT
 Sheet: A2 Drawn: PW Date: 14.09.2017 Predecessor:	Weight (kg): 239,7 © All rights reserved. Reproduction is not permitted without written permission of GOUDSMIT Magnetic Systems BV	General tolerance: ISO 2768 - cL Drawn according: ISO268; ISO1101; ISO2553 Status: Customer reference number:	Product key: SBP-2626-F-F1B-B-B Part number: SBPF260001 Rev: -
Quick search: XSBP 260 Description: External pole magnet, Ferrite, 260			