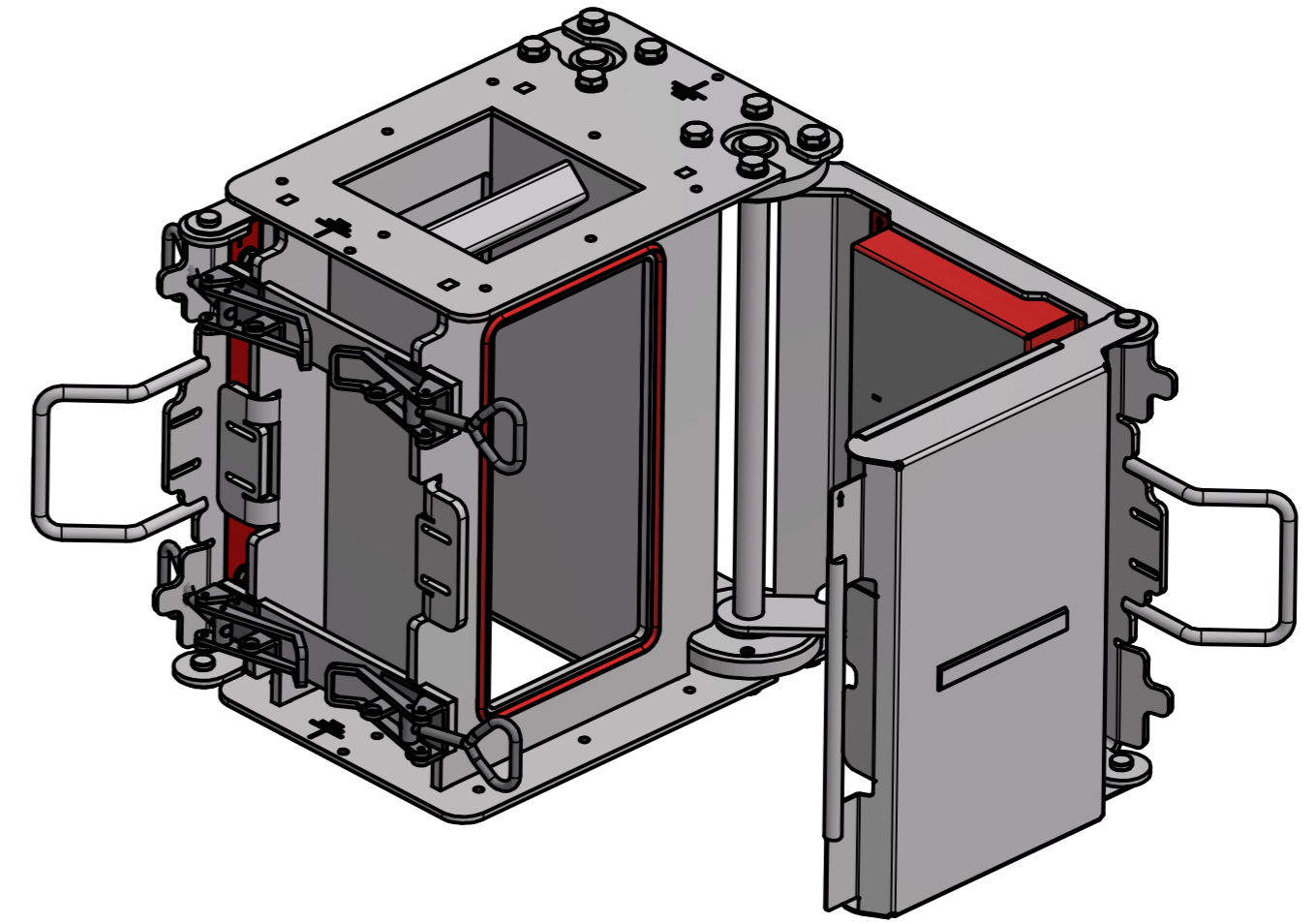
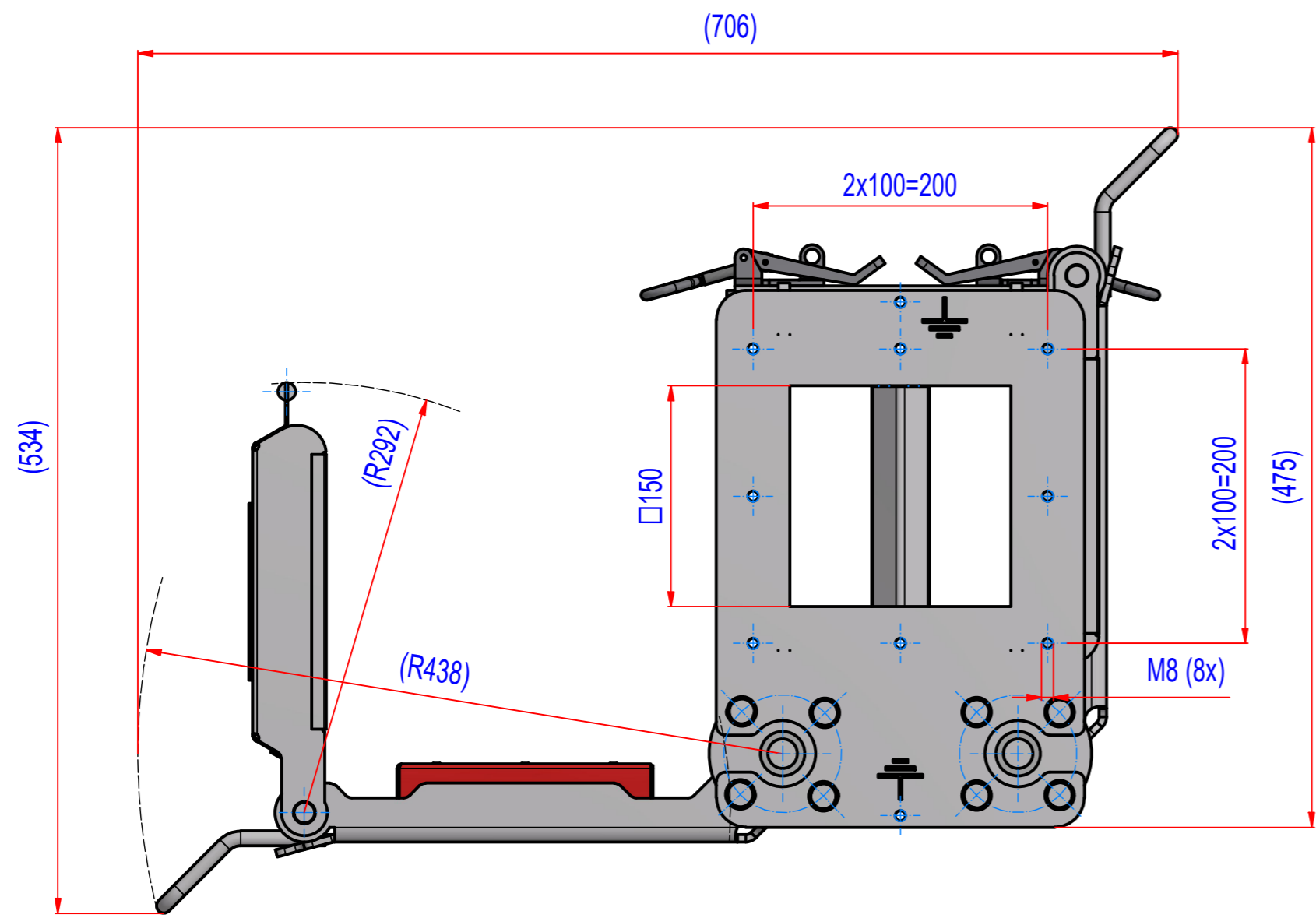
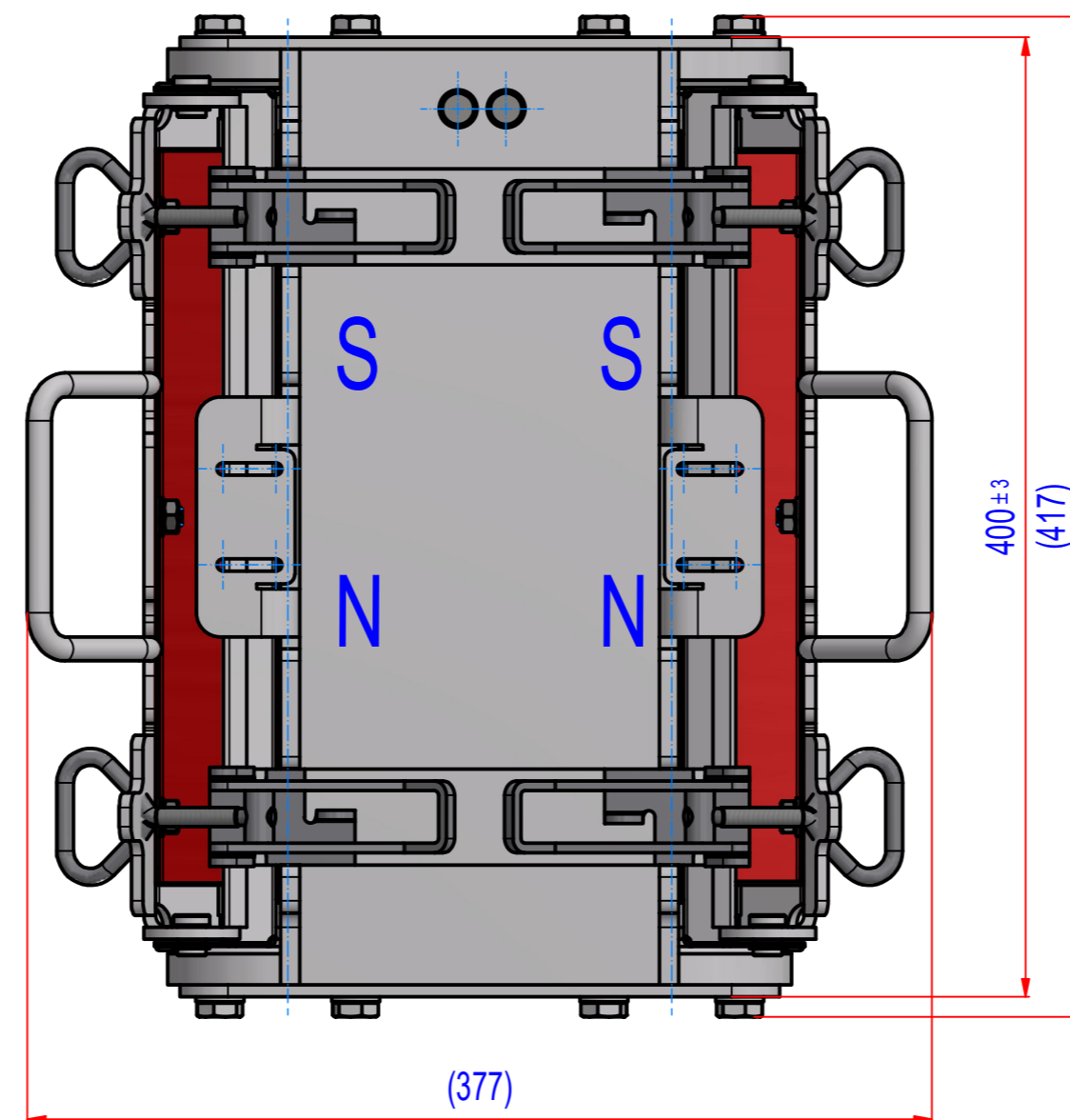
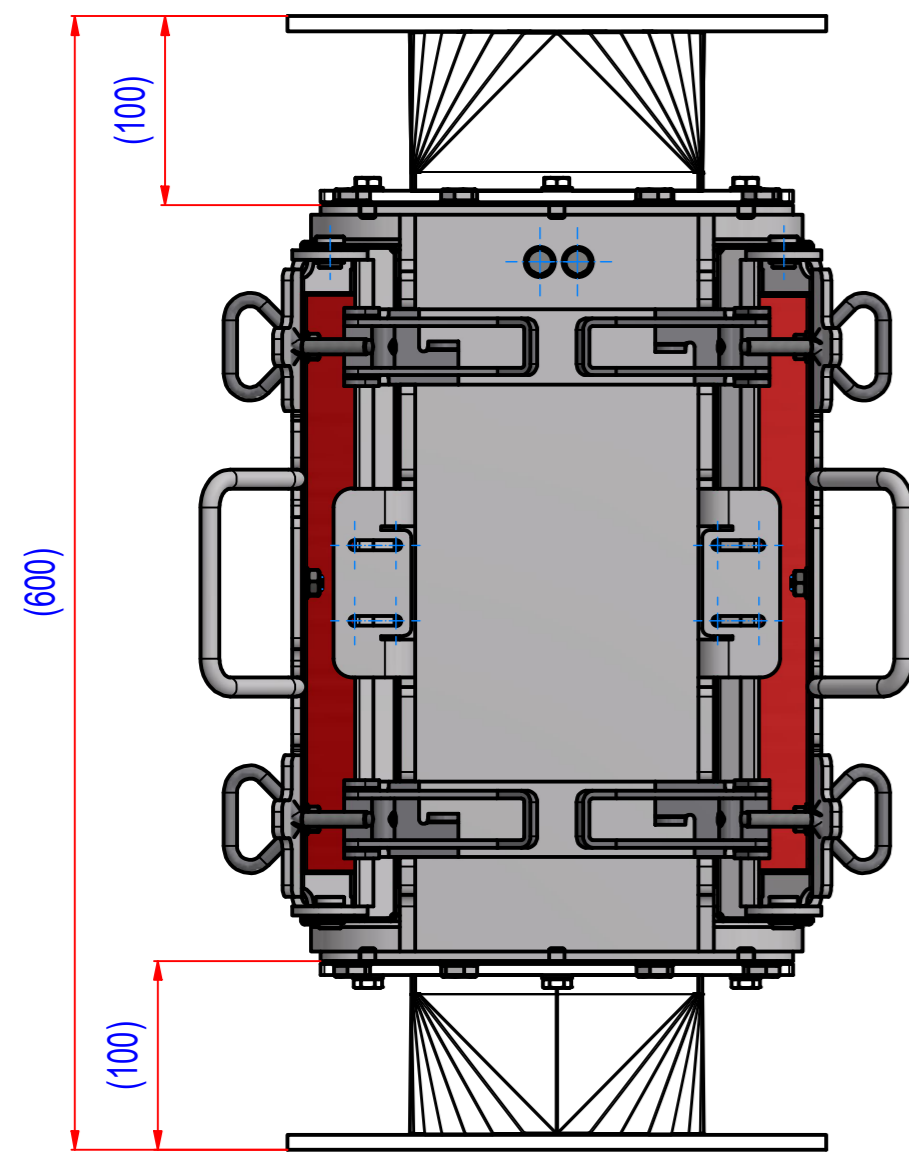


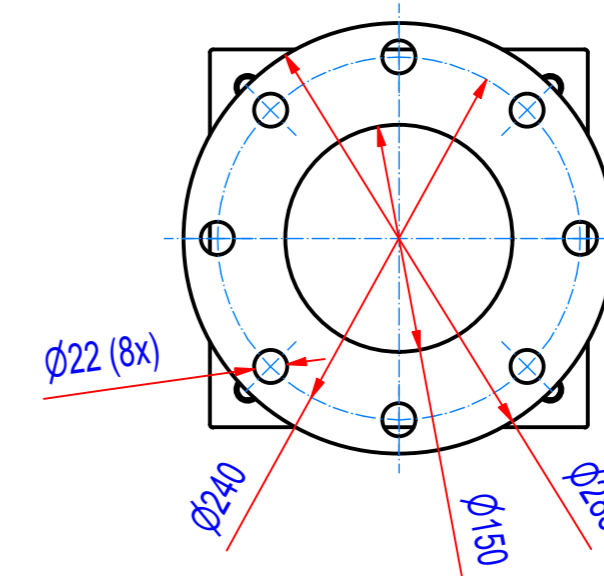
REV	DATE	BY	DESCRIPTION
-	25.04.2019	PW	Source SBPN202000, change dimension to #150
A	26.06.2023	PW	Change magnetic system
B	26.06.2023	PW	Modified extractor, 10000Gs on boost plate



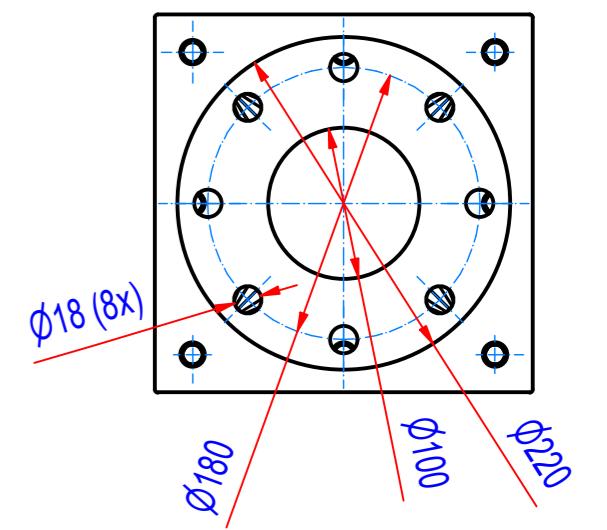
OPTION: SBPN151500 WITH ADAPTER TO DN150



IN/OUTLET ADAPTER FLANGE DN150



IN/OUTLET ADAPTER FLANGE DN100



1	A707_000000	SBPN151500	66,1
POZ./POS.	Č. SOUČÁSTI/ PART NUMBER	POPIS / DESCRIPTION	HMOT./ WEIGHT
Sheet: A2	Extra info:	General tolerance: ISO 2768 - cL	
Drawn: PW	Weight (kg): 66.1	Drawn according: ISO268; ISO1101; ISO2553	
Date: 26.6.2023		Status:	
Predecessor:		Customer reference number:	
Quick search: XSBP 150	© All rights reserved. Reproduction is not permitted without written permission of GOUDSMIT Magnetic Systems BV	Product key: SBP-1515-N-F1E-B-B	
Description: External pole magnet with square connection		Part number: SBPN151500	Rev: B