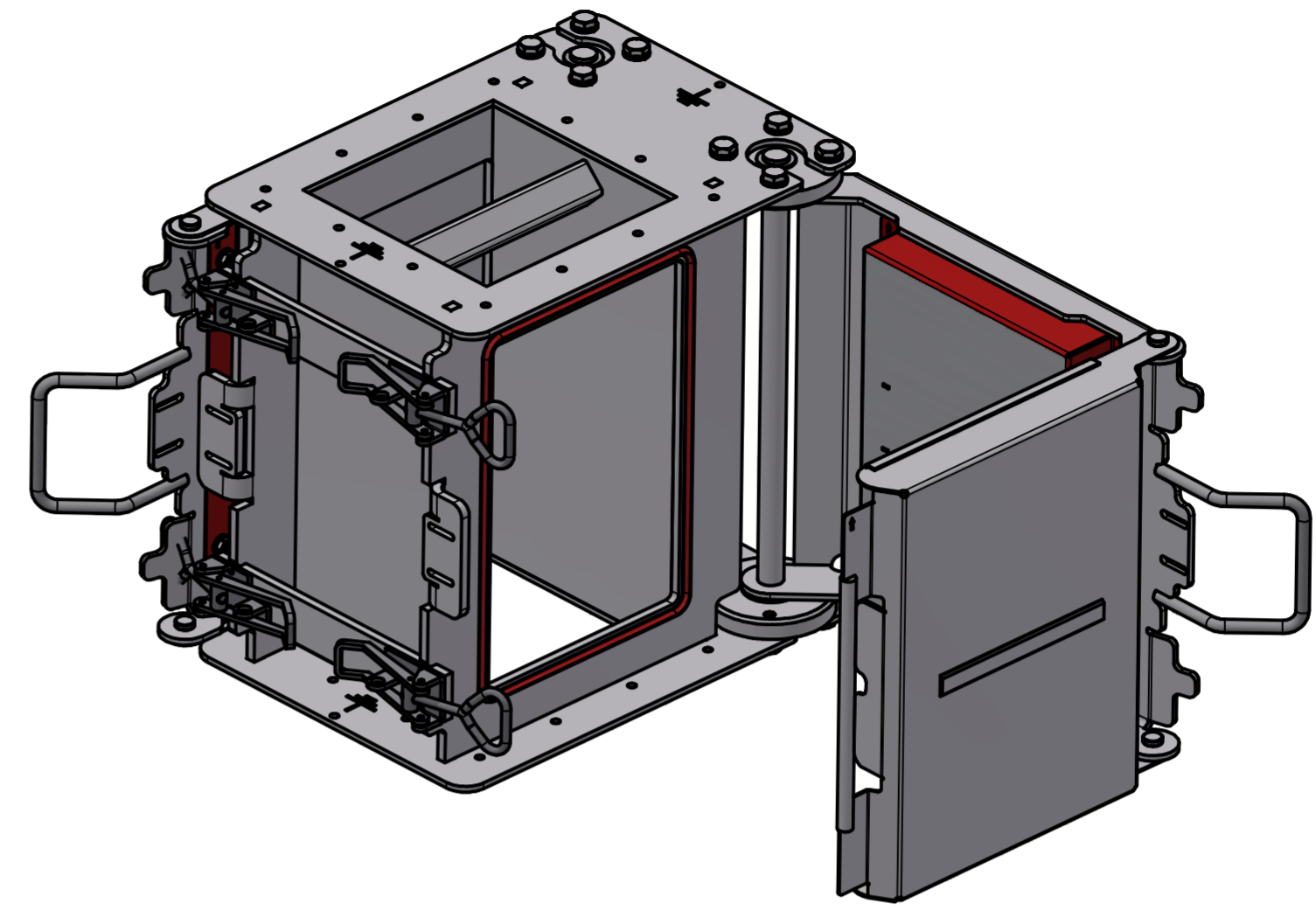
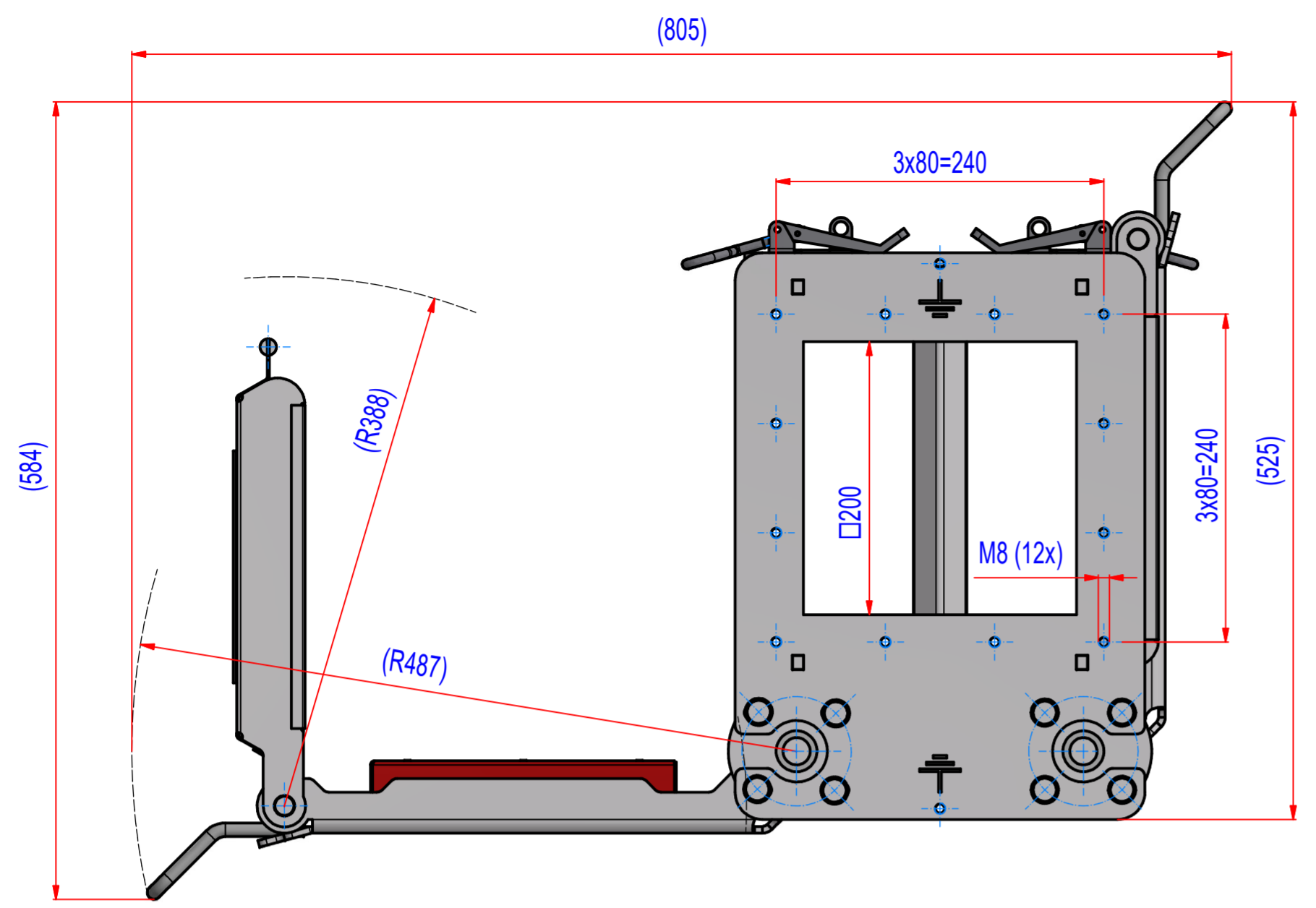
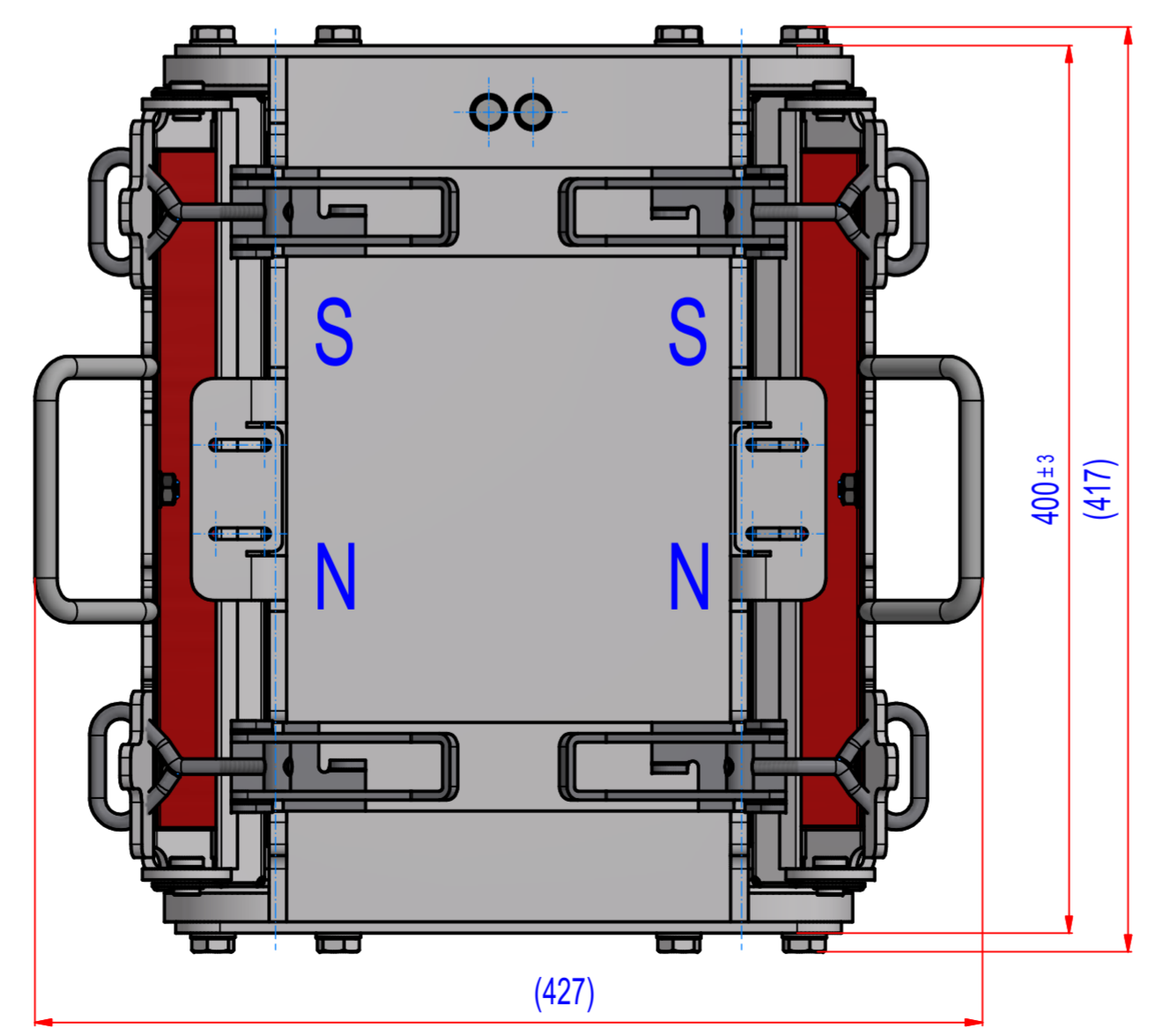
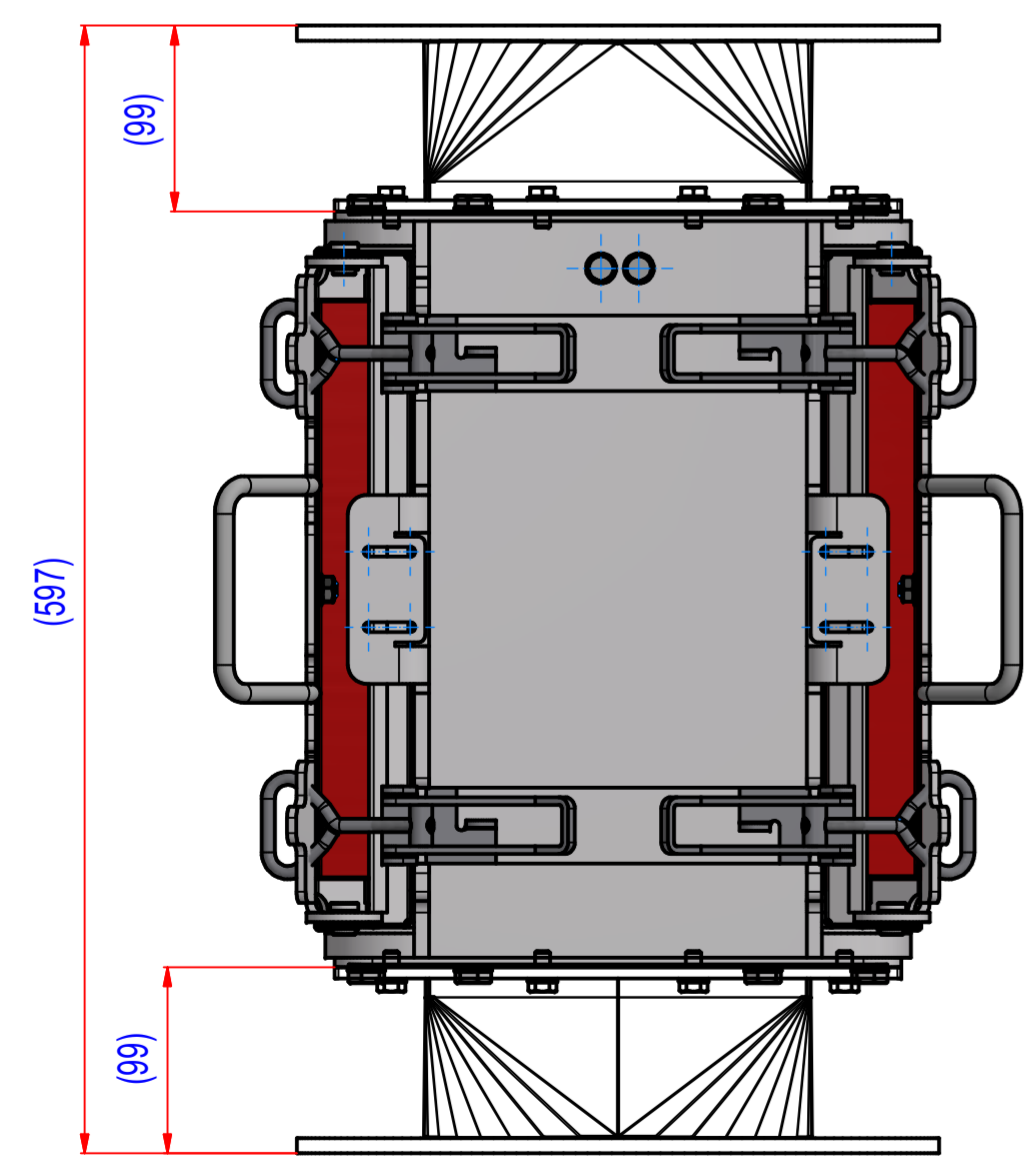


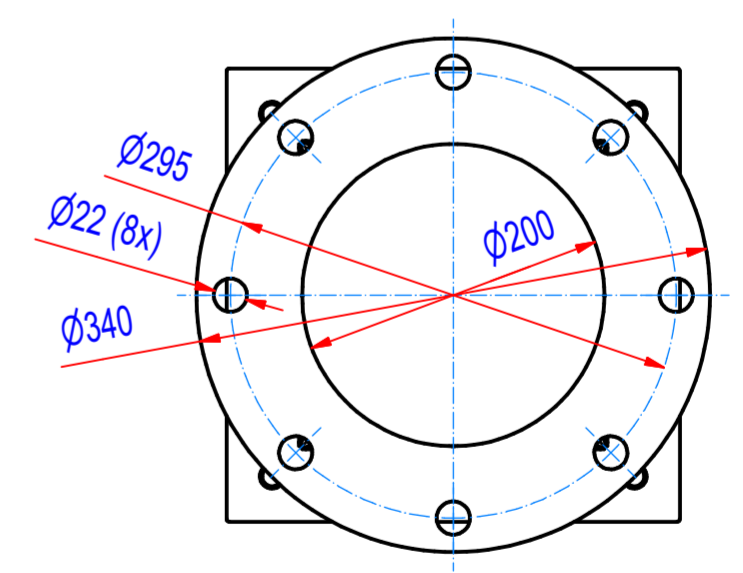
REV	DATE	BY	DESCRIPTION
-	25.10.2018	PW	Source SBPN252500, change dimension to #200
A	22.01.2021	PW	Changing the magnet weld assy
B	27.03.2023	PW	Change magnetic system
C	02.02.2024	PW	Modified extractor, 10000Gs on boost plate



OPTION: SBPN202000 WITH ADAPTER TO DN200



IN/OUTLET ADAPTER FLANGE



1	A564_000000	SBPN202000	78,3
POZ./POS.	Č. SOUČÁSTI/ PART NUMBER	POPIS / DESCRIPTION	HMOT./ WEIGHT
<b>APPROVAL PLEASE</b>			
Date:	Order ref.:	Responsible person:	
Sheet: A2	Extra info:	General tolerance: ISO 2768 - cL	
Drawn: PW	Weight (kg): 78.3	Drawn according: ISO268; ISO1101; ISO2553	
Date: 02.02.2024	<b>GOUDSMIT</b> MAGNETICS	Status:	
Predecessor:		Customer reference number:	
Quick search: XSBP 200	© All rights reserved. Reproduction is not permitted without written permission of GOUDSMIT Magnetic Systems BV		Product key: SBP-2020-N-F1E-B-B
Description: External pole magnet with square connection			Part number: SBPN202000