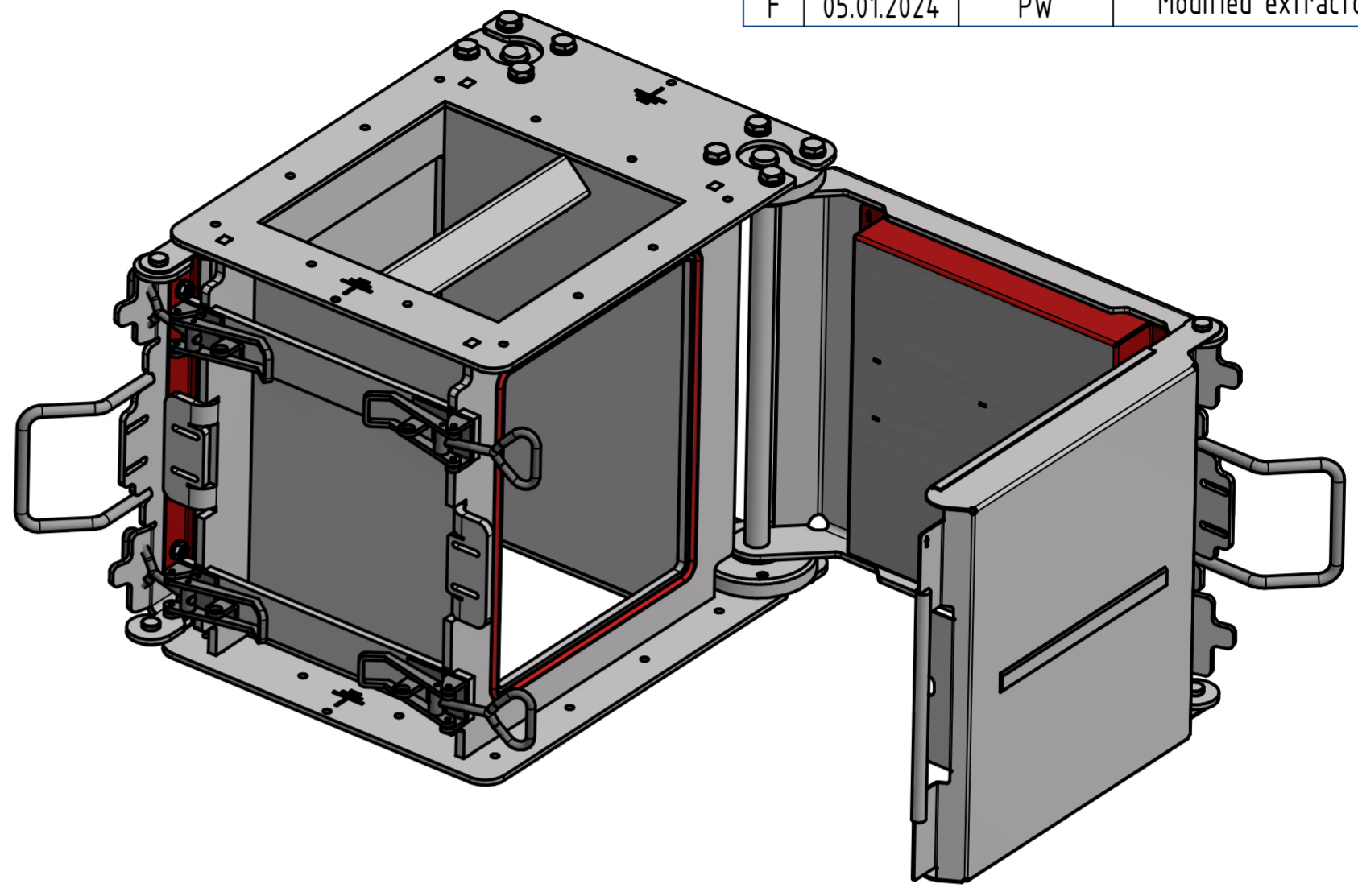
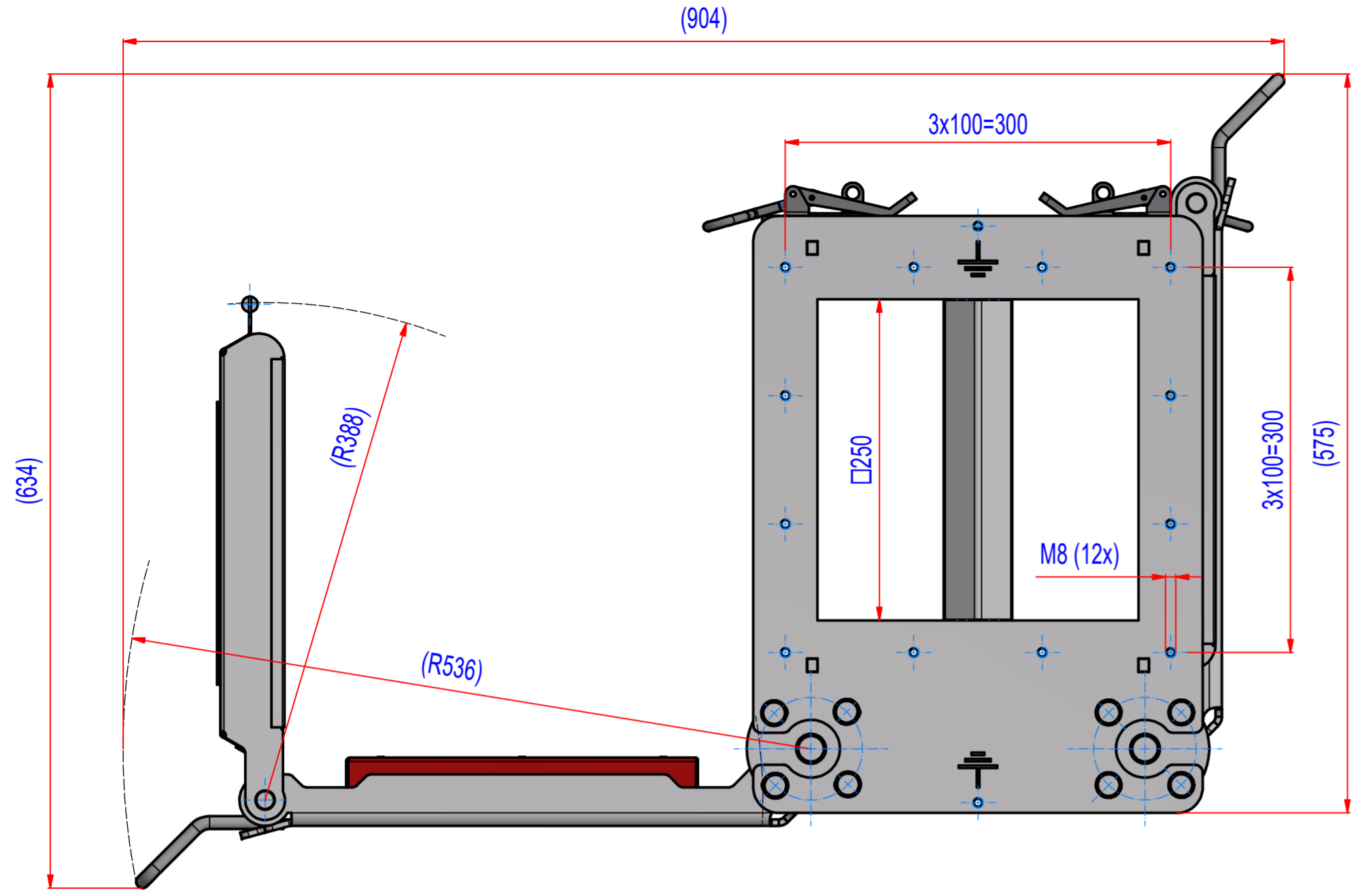
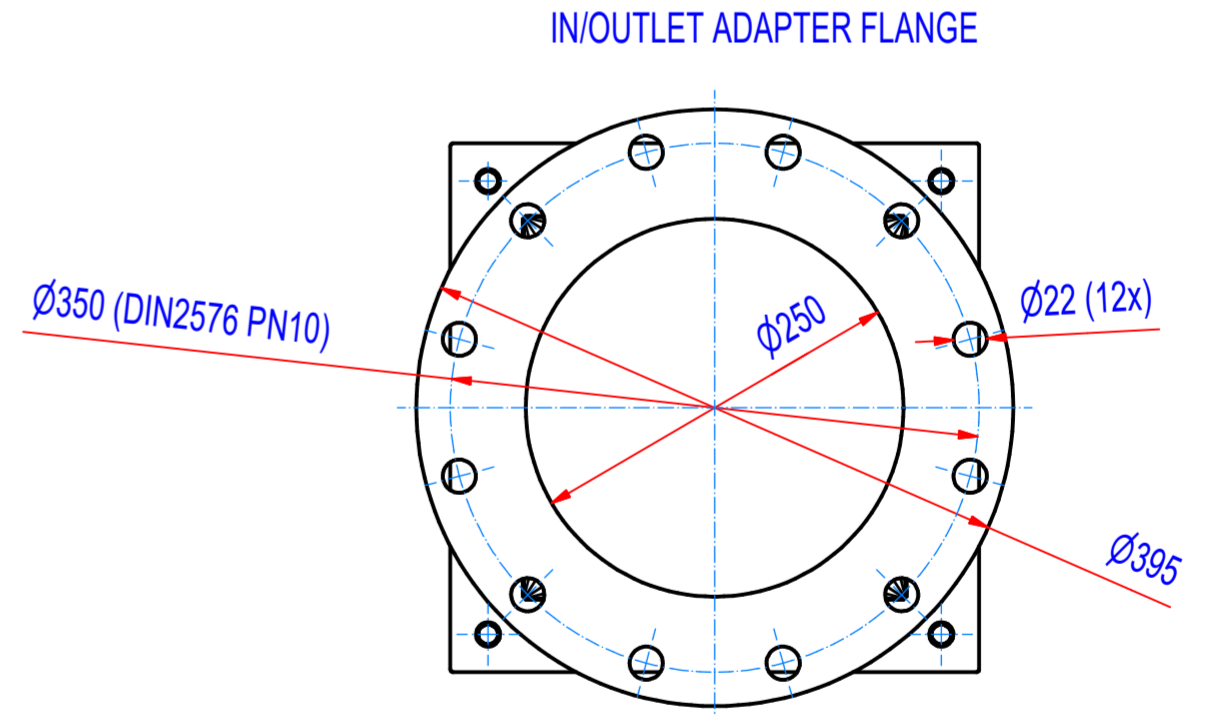
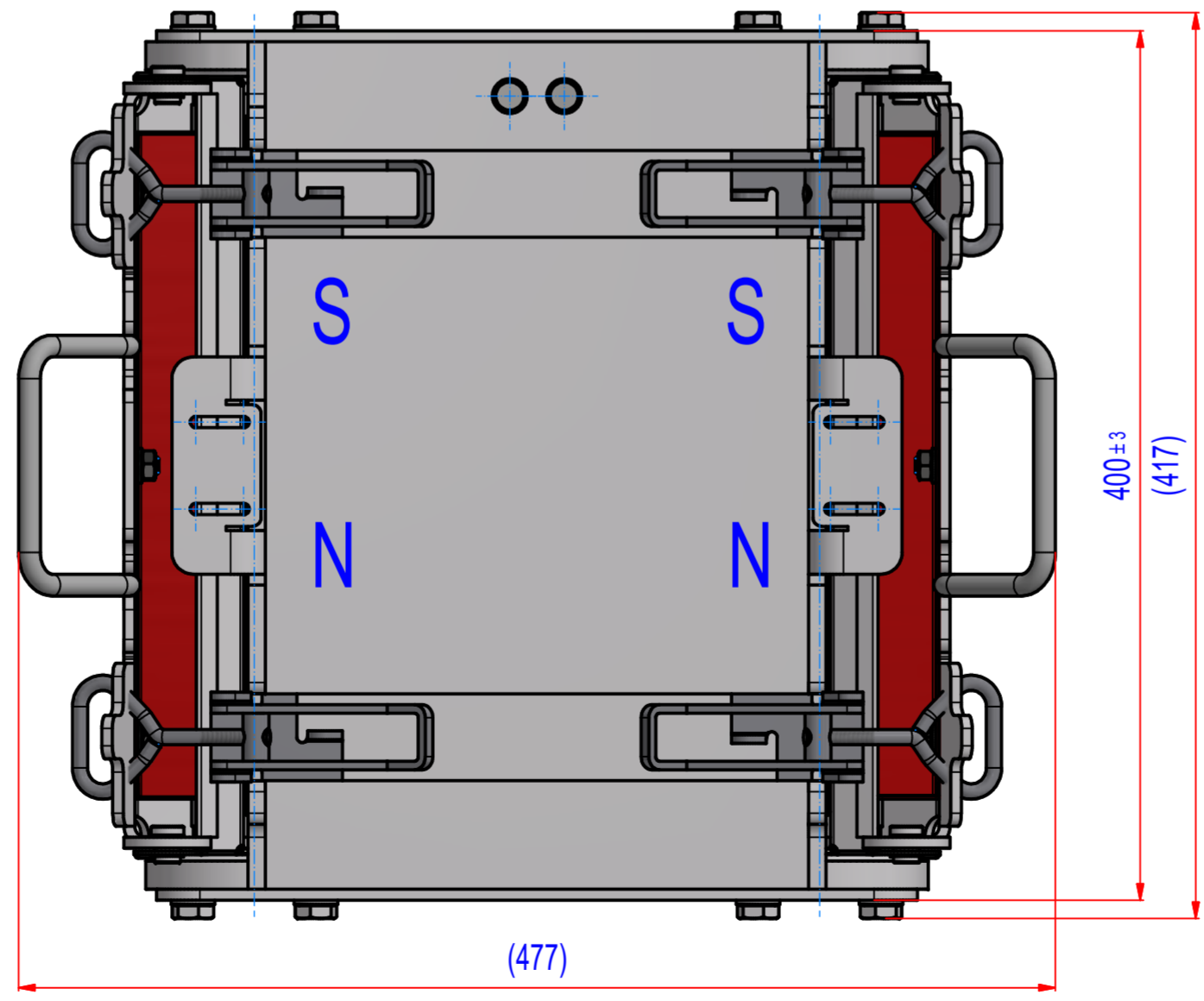
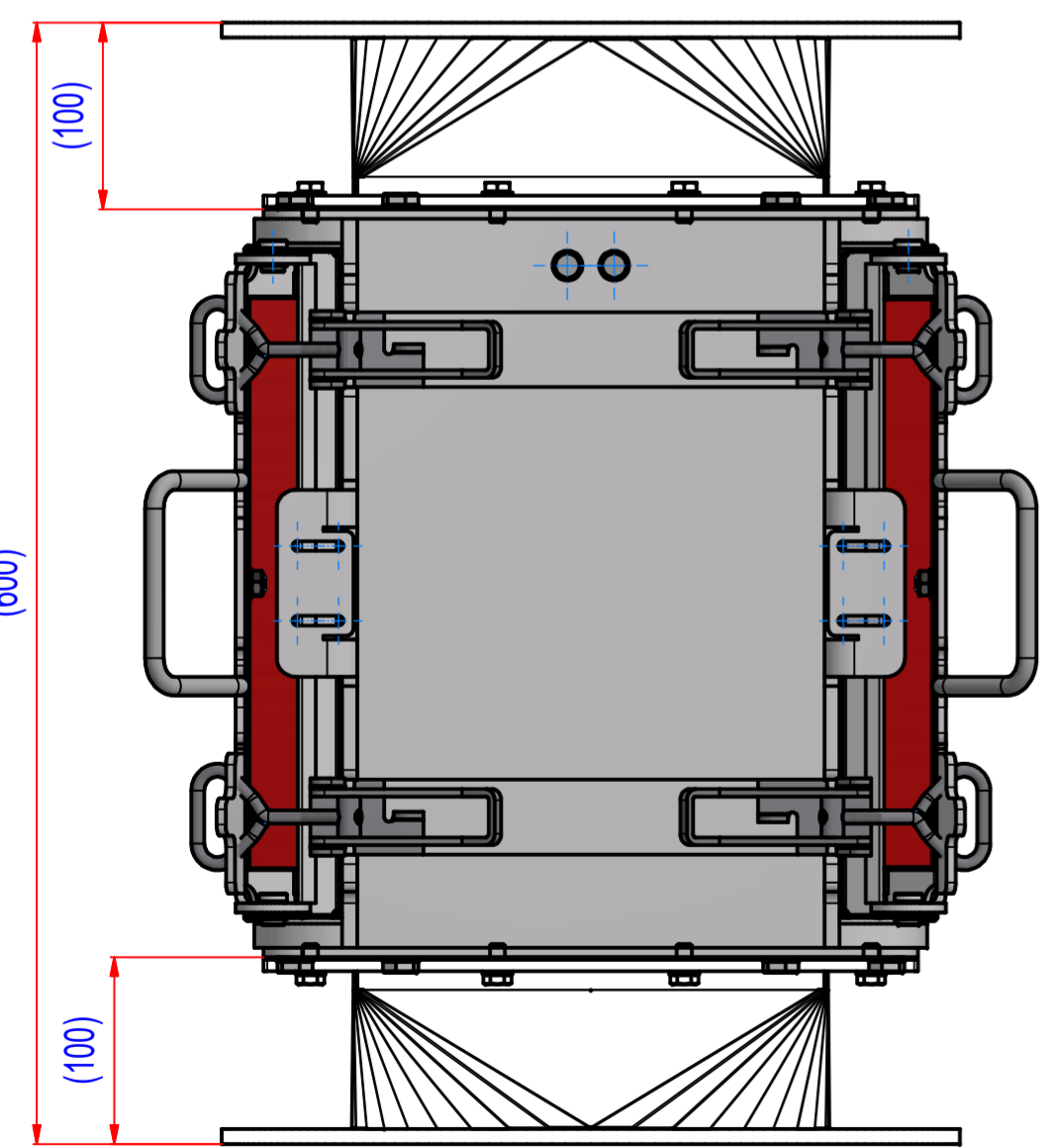


REV	DATE	BY	DESCRIPTION
A	23.08.2018	PW	Change of concept
B	07.05.2019	PW	Change design
C	13.05.2021	PW	Changing the magnet weld assy
D	24.03.2023	PW	Change magnetic system
E	10.07.2023	PW	Changing the magnet shell
F	05.01.2024	PW	Modified extractor, 10000Gs on boost plate



OPTION: SBPN252500 WITH ADAPTER TO DN250



APPROVAL PLEASE			
Date:	Order ref.:	Responsible person:	
Sheet: A2 Drawn: PW Date: 05.01.2024 Predecessor:	Extra info: <small>© All rights reserved. Reproduction is not permitted without written permission of GOUDSMIT Magnetic Systems BV</small>	General tolerance: ISO 2768 - cL Drawn according: ISO268; ISO1101; ISO2553 Status: Customer reference number:	
Quick search: XSBP 250 Description: External pole magnet with square connection	Product key: SBP-2525-N-F1E-B-B Part number: SBPN252500	Rev: F	