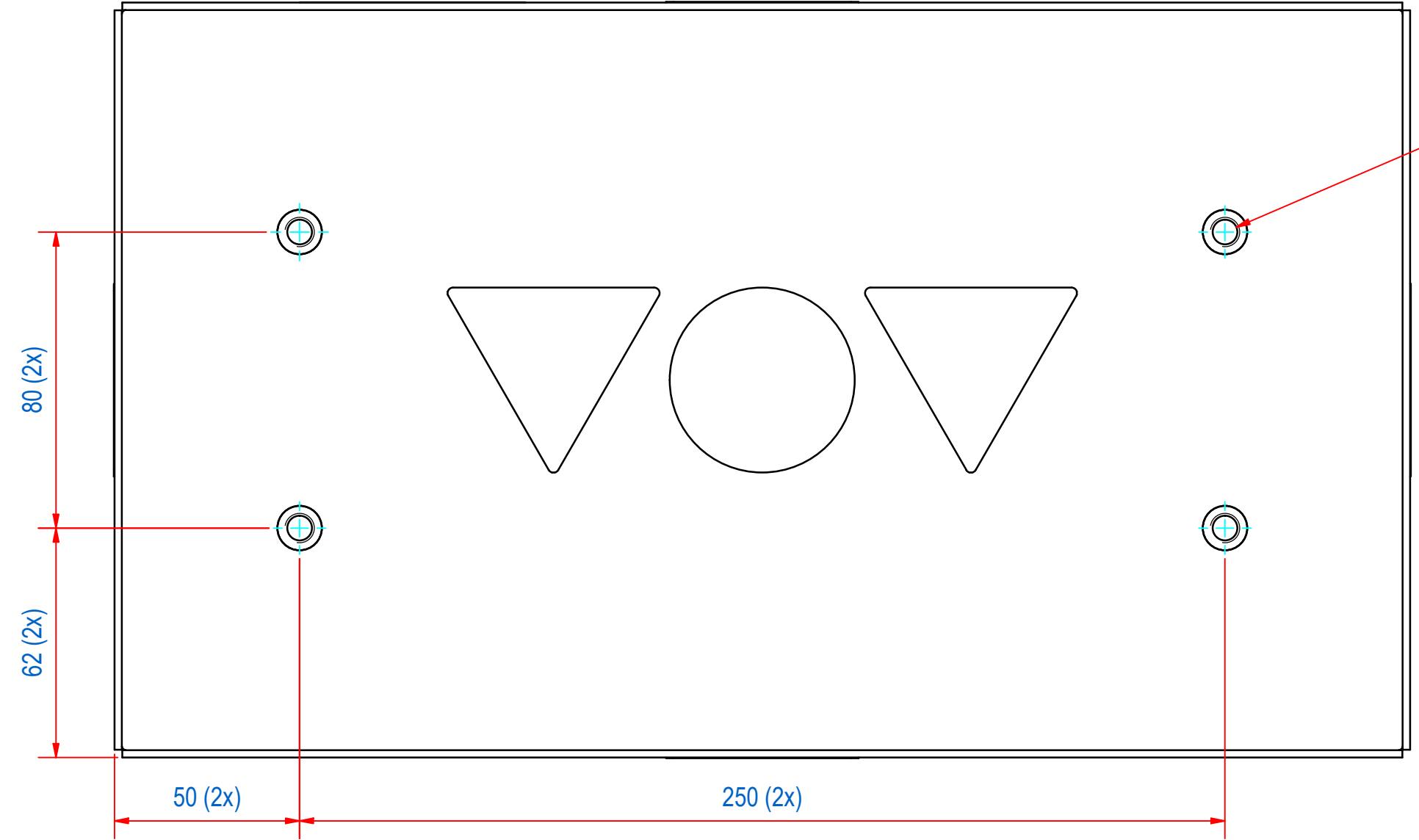
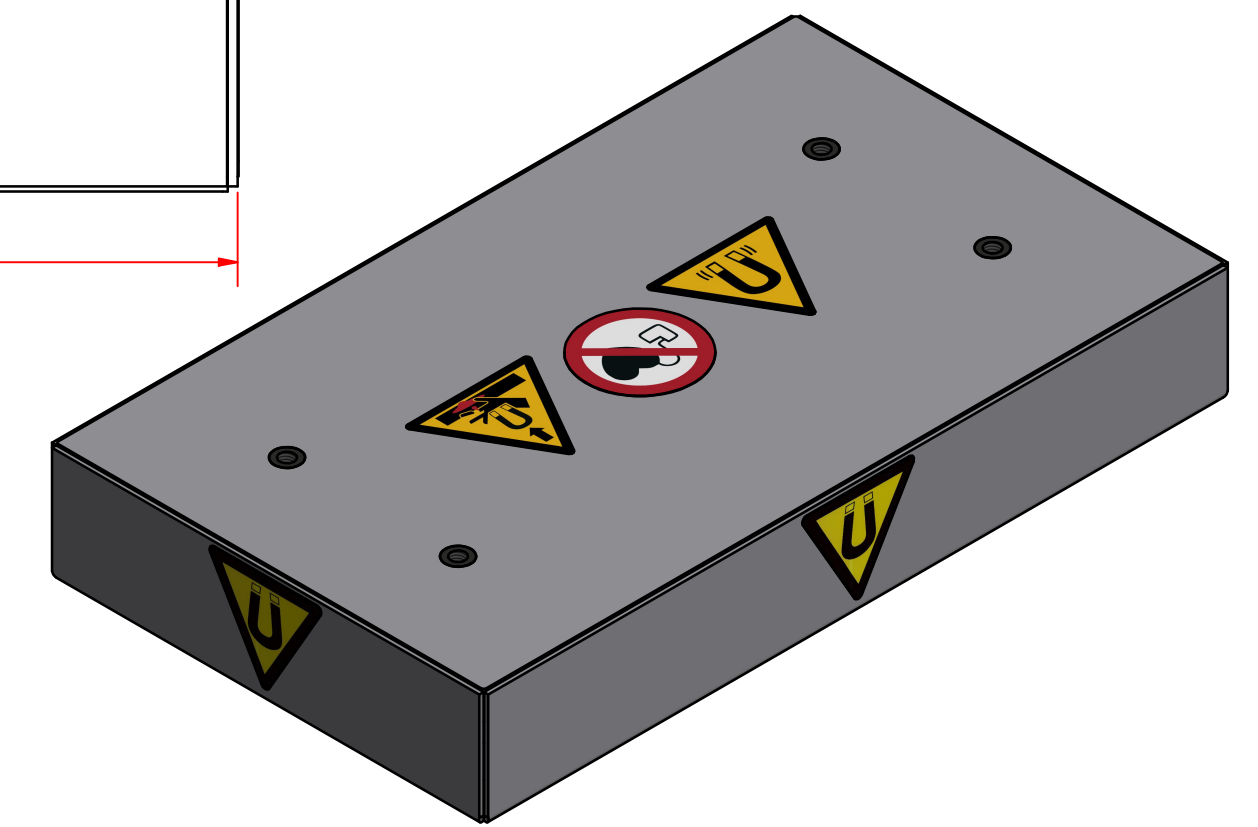
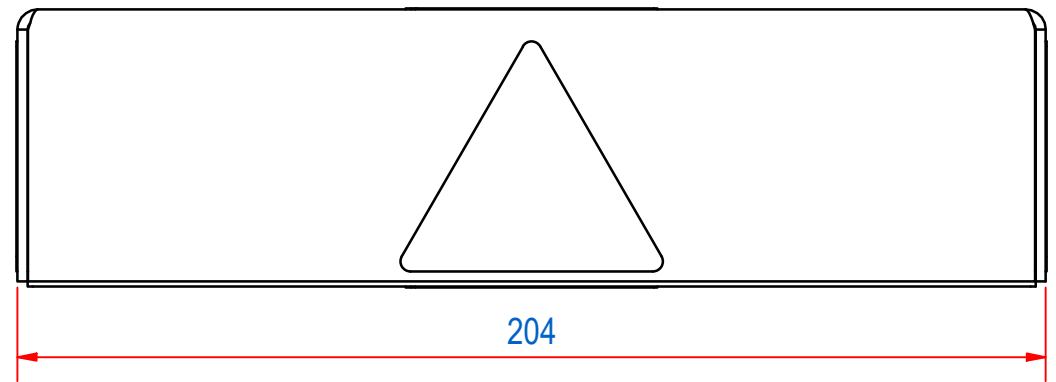
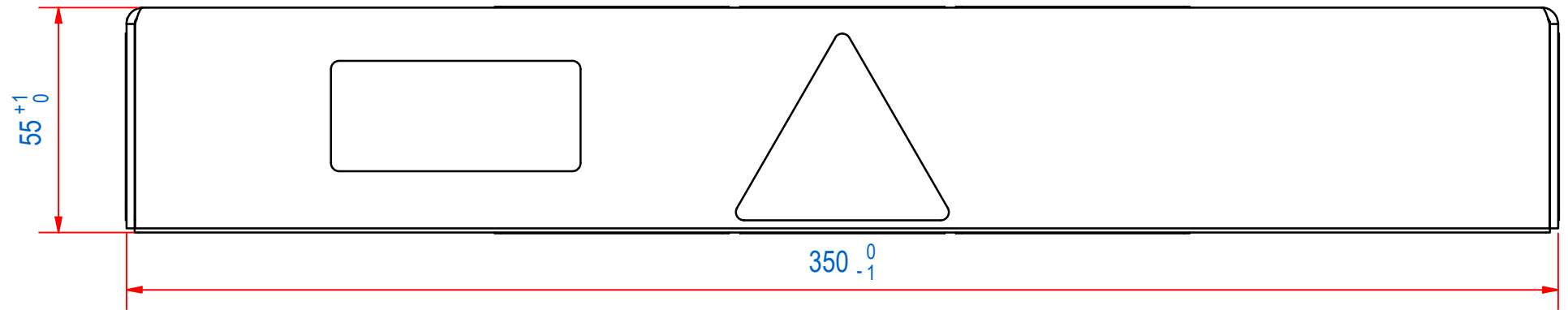
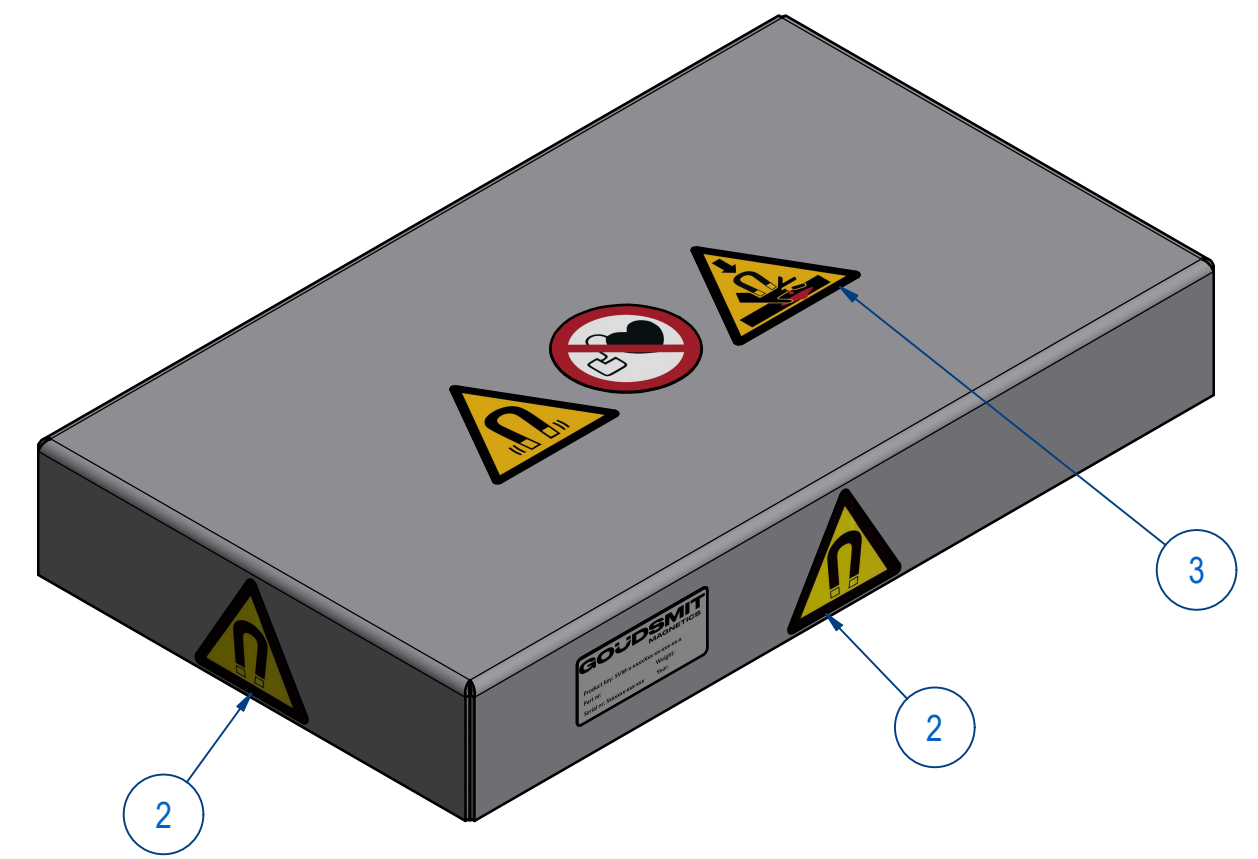
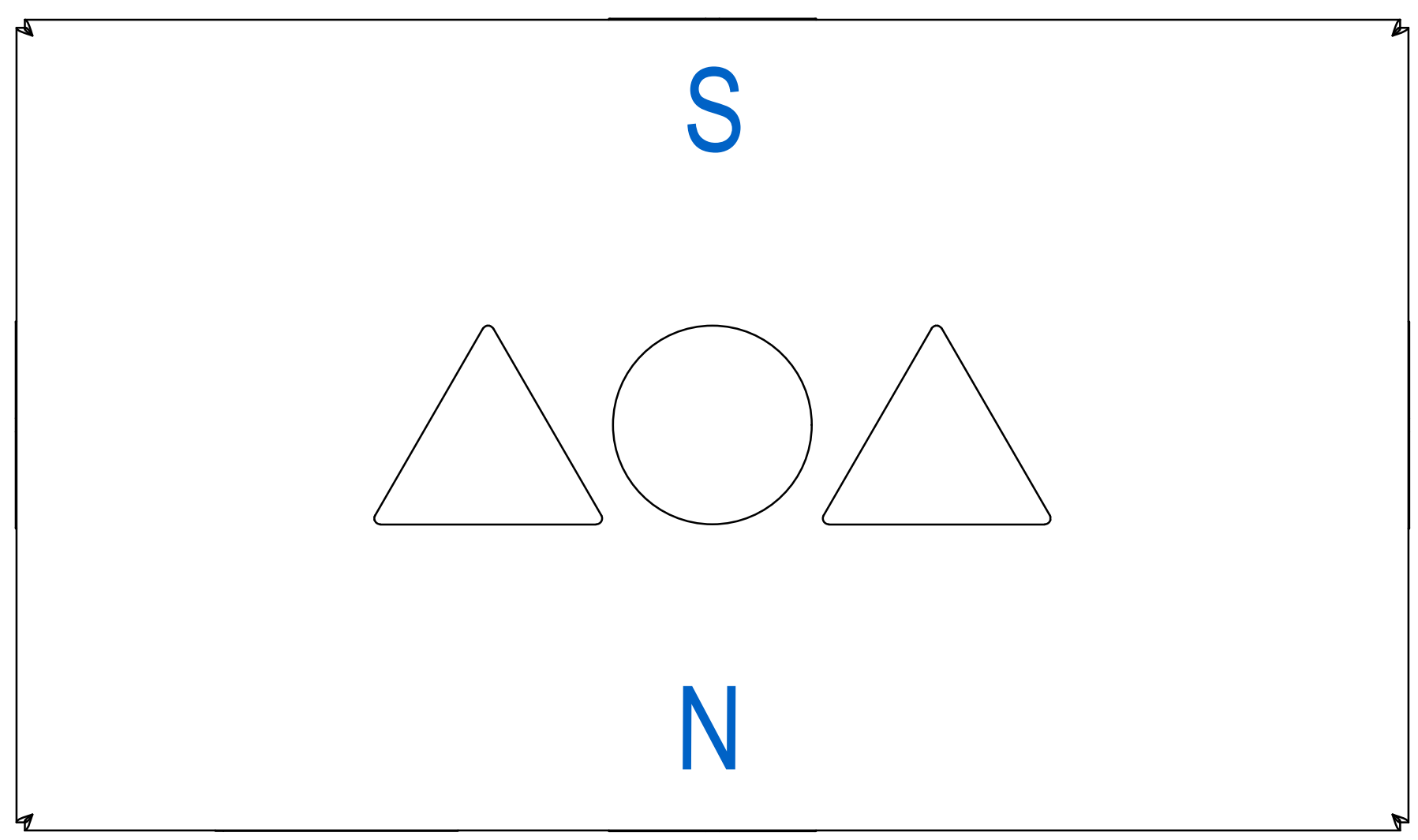


REV	DATE	BY	DESCRIPTION
C	19-8-2024	CR	WARNING STICKERS ADDED
D	3-2-2025	CR	TEXT AND ITEM 3 (WAS ITEM 2, 3, AND 4) ADDED
E	19-3-2025	CR	TOLERANCE CHANGED: 350 0/-1 WAS 204 0/-1



M8x1.25 - 6H - 10 DEEP - (4x)

When plate magnet SVMN is made for SCH: No warning stickers and type plate!!
 Wanneer plaat magnet SVMN gemaakt wordt voor SCH: Geen veiligheidsstickers en type plaatje!!

ITEM	QTY	PART NUMBER	DESCRIPTION	Dimensions
3	2	1000.20171	GEN-STICKER 3 WARNINGS 50mm	
2	4	1000.20030	GEN-STICKER MAGNETIC FIELD 50mm	
1	1	E0153218	SVM-N-204x55-0350-B-F1M	

RAW MAT.	Quantity	Material Number	Material Description	Length (mm)	Width (mm)
	1				

Sheet: A2	Extra info: PLATE MAGNET	General tolerance: ISO 2768 - fH
Drawn: CR	Weight (kg): 23	Drawn according: ISO286; ISO1101; ISO2553
Date: 1-4-2011	Source: MC-C	Status: Standard
Spare part: False	Quick search: SVMN-350	Customer reference number:
Description: SVMN-N-204x55-0350-B-F1M	© All rights reserved. Reproduction is not permitted without written permission of GOUDSMIT Magnetic Systems BV	Document number: SVMN020350 Doc.Rev: E
		Part number: SVMN020350 Rev: E