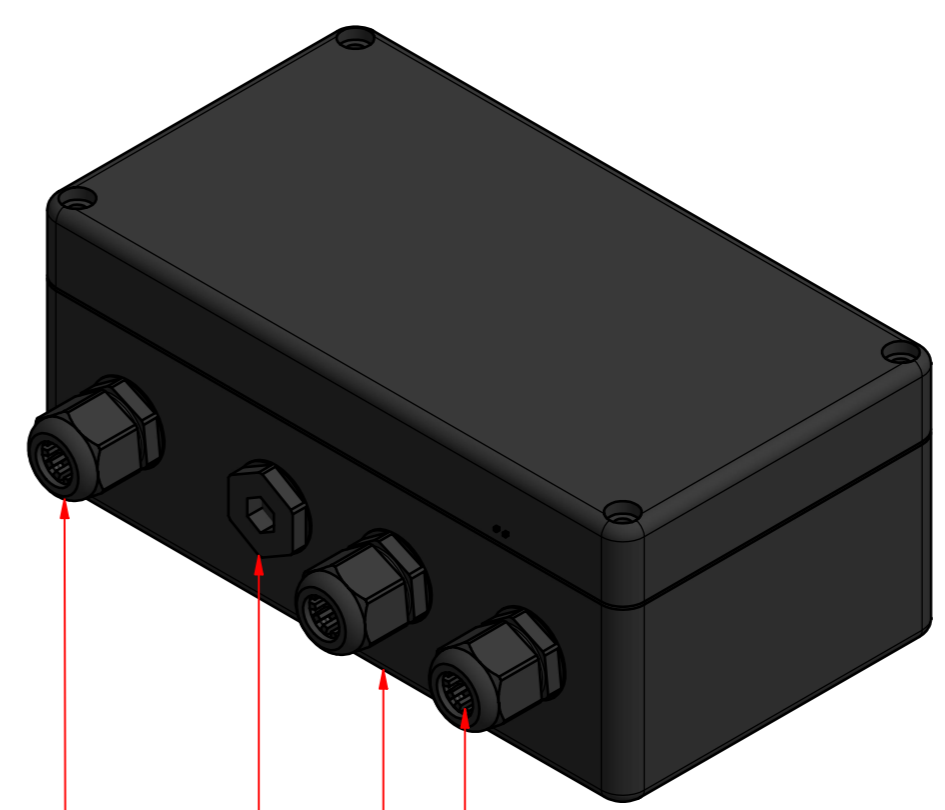
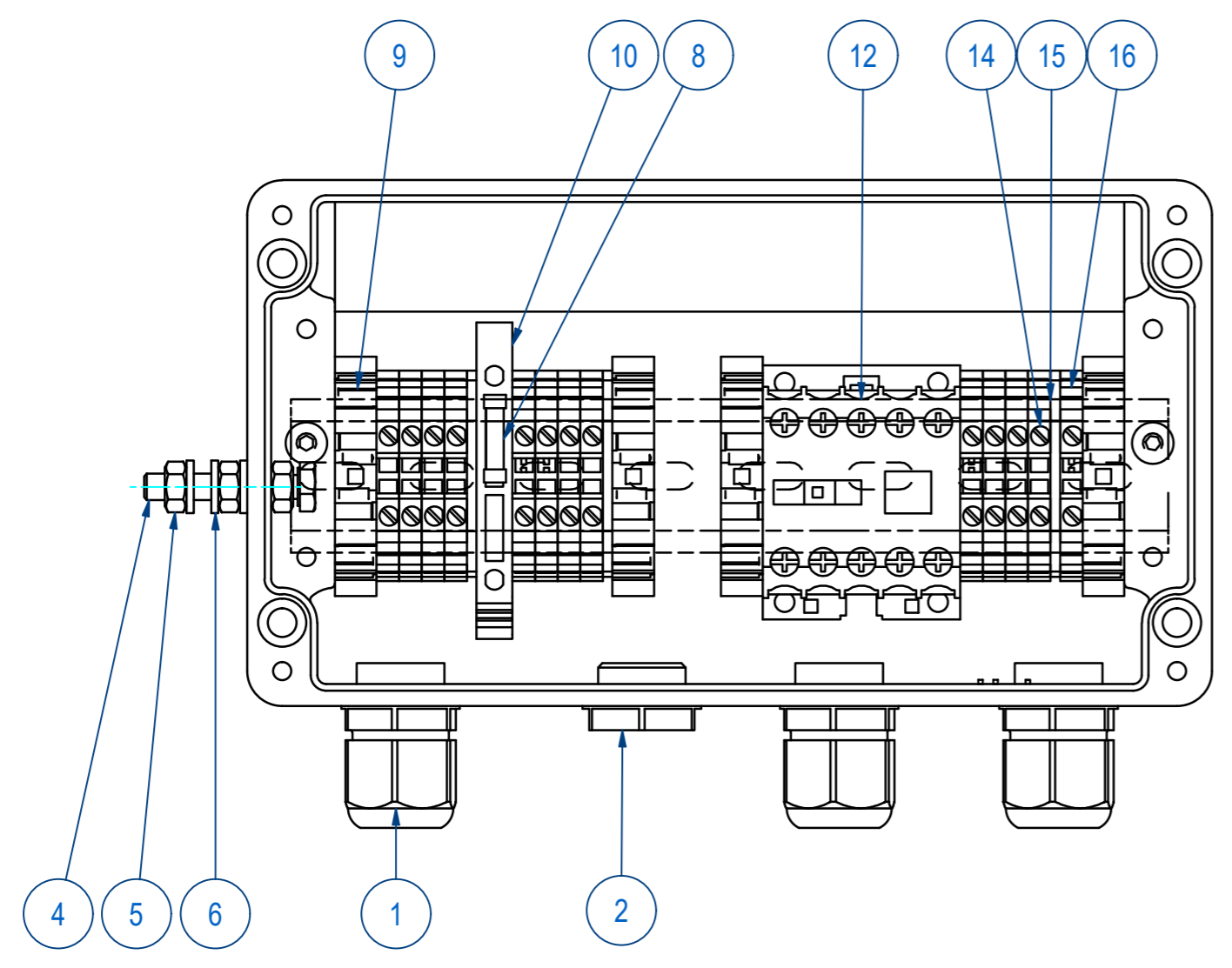
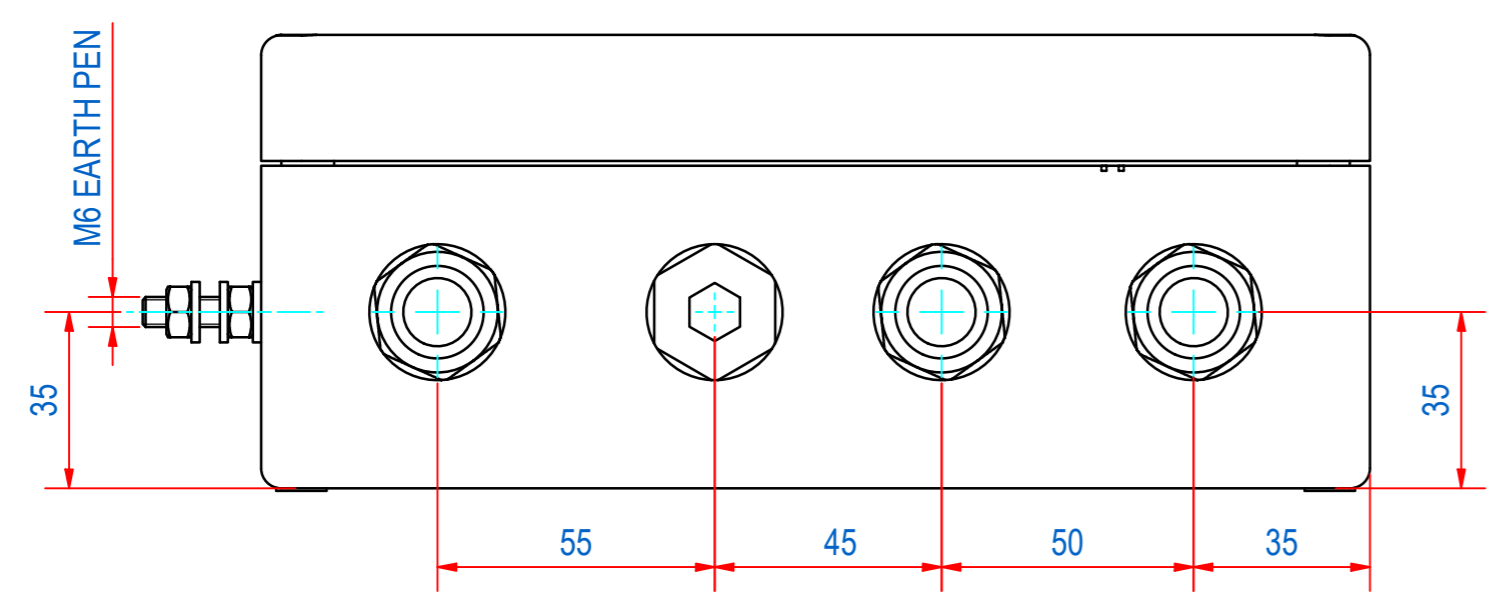


REV	DATE	BY	DESCRIPTION
F	3-7-2020	MV	UK TERMINALS EXCHANGED FOR UT SERIES
G	17-8-2020	MV	WIRE COLORS DOOR SWITCH ADDED
H	2-2-2021	MV	ATEX CODE IN NORM FIELD ADDED



- 1 SEPARATE EARTH CABLE Ltot 200mm - 2 SIDES RING TONGUE M6  
1 LOSSE AARDEKABEL Ltot 200mm - 2 ZIJDEN RINGTONG M6
- CABLE GLAND M20 FOR POWER SUPPLY,  
TO BE CONNECTED BY CUSTOMER  
VOEDING KABEL DOOR KLANT AAN TE SLUITEN
- CABLE GLAND M20 FOR MOTOR CABLE  
ÖLFLEX EB 4G1,5 Ltot 650mm - BOTH SIDES WIRE END  
MOTOR KABEL ÖLFLEX EB4G1,5 L tot 650mm - BEIDE ZIJDEN ADEREINDHULS
- 1 DOME PLUG M20  
BLINDPLUG M20
- CABLE GLAND M20 FOR DOOR SWITCH ÖLFLEX EB 5G1,5 Ltot 550mm - BOTH SIDES WIRE END  
DEURSCHAKELAAR KABEL ÖLFLEX EB 5G1,5 Ltot 550mm - BEIDE ZIJDEN ADEREINDHULS



16	4	EIOJ310002	TERMINAL UT2-5-PE PHOENIX	
15	3	EIOM040000	TERMINAL D-UT 2-5-10 PHOENIX	
14	9	EIOJ010010	TERMINAL UT2-5 PHOENIX	
13	2	54.1205012	SCREW, HEX S BH LOW M5x12-A2	
12	1	E0078896	CONTACTOR DILER-40(230V50HZ,240V60HZ) EATON	
11	1	E0087546	WIRE TRUNK HF-METRA 40x25 L 180	
10	1	EIOJ010002	TERMINAL UK5-HESI PHOENIX	
9	4	EIOM100002	TERMINAL CLIPFIX 35 PHOENIX	
8	1	EIHF620204	FUSE MI5F25V2,5 FERRAZ	
7	1	E0078679	TEXT PLATE SEE PAGE 990 FOR DETAILS	
6	3	70.0300006	WASHER M6 - A4	M6
5	3	60.0300006	NUT, HEX M6 - A4	M6
4	1	50.1306035	BOLT, HEX M6 x 35-A4	M6 x 35
3	1	EI1A524100	ENCLOSURE POLY. 120x220x90	
2	1	EIQ390020	DOME PLUG PA V-Ex M20x1.5	
1	3	EIYR300002	CABLE GLAND HSK-K-Ex M20X1.5	

ITEM	QTY	PART NUMBER	DESCRIPTION	Dimensions
RAW MAT.	1			
Quantity		Material Number	Material Description	Length (mm) Width (mm)
Sheet:	A2	Extra info:	General tolerance: ISO 2768 - mK	
Drawn:	FS	Weight (kg): 6,2	Drawn according: ISO268; ISO1101; ISO2553	
Date:	3-2-2009	Source:	Status: Standard	
Spare part:	False	Quick search:	Customer reference number:	
CR000			Document number: A240048	Doc.Rev: H
Description:	SWITCH BOX CR FOR SAFETY SWITCH			Part number: A240048
				Rev: H



© All rights reserved. Reproduction is not permitted without written permission of GOUDSMIT Magnetic Systems BV