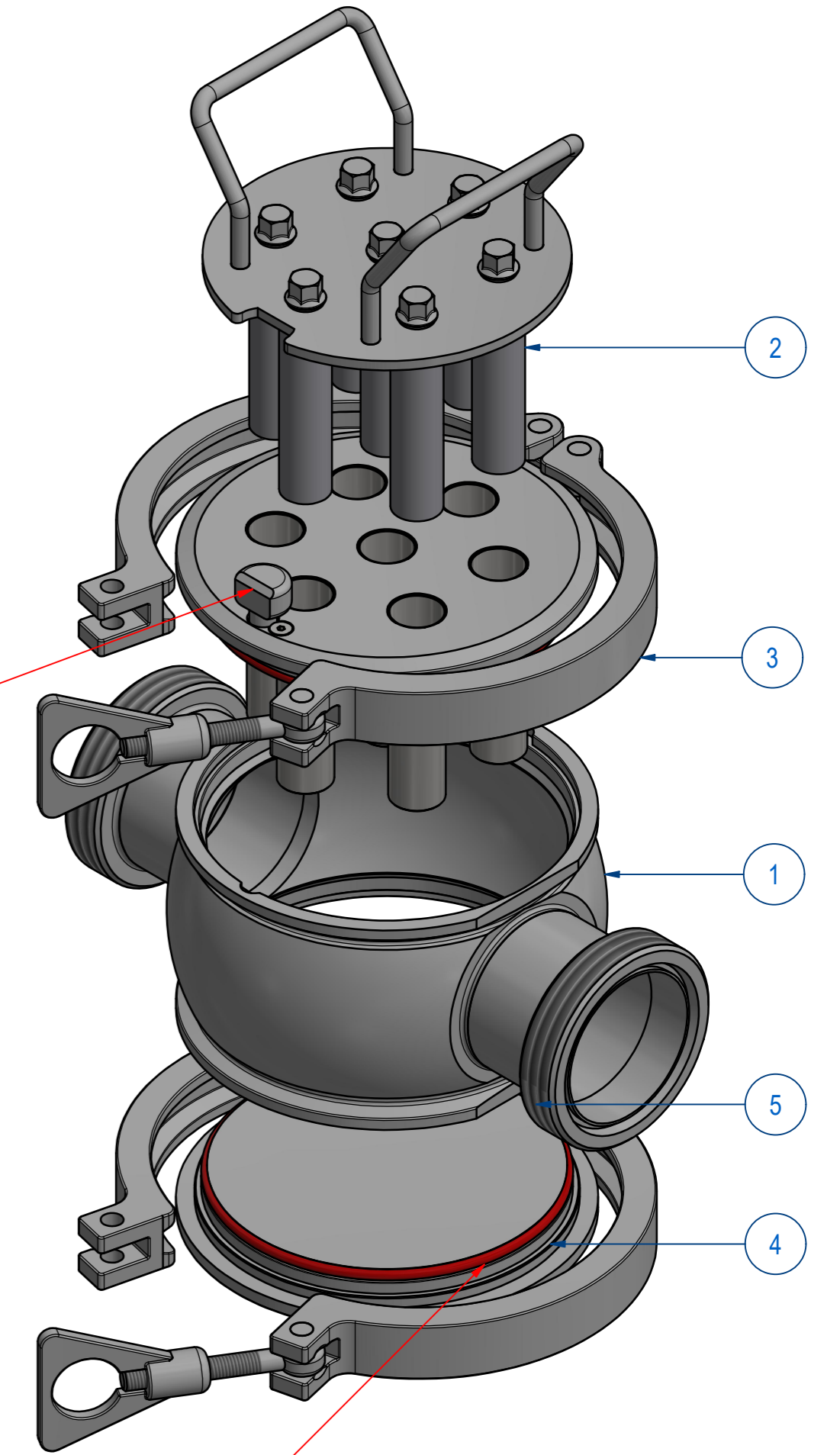
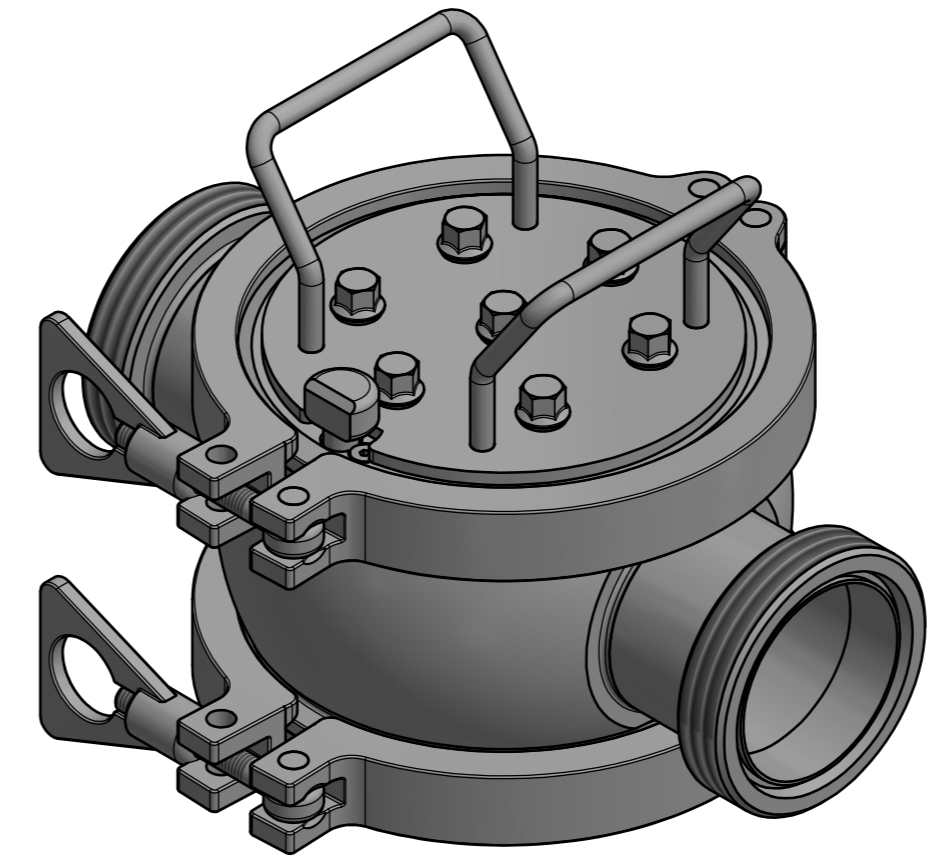
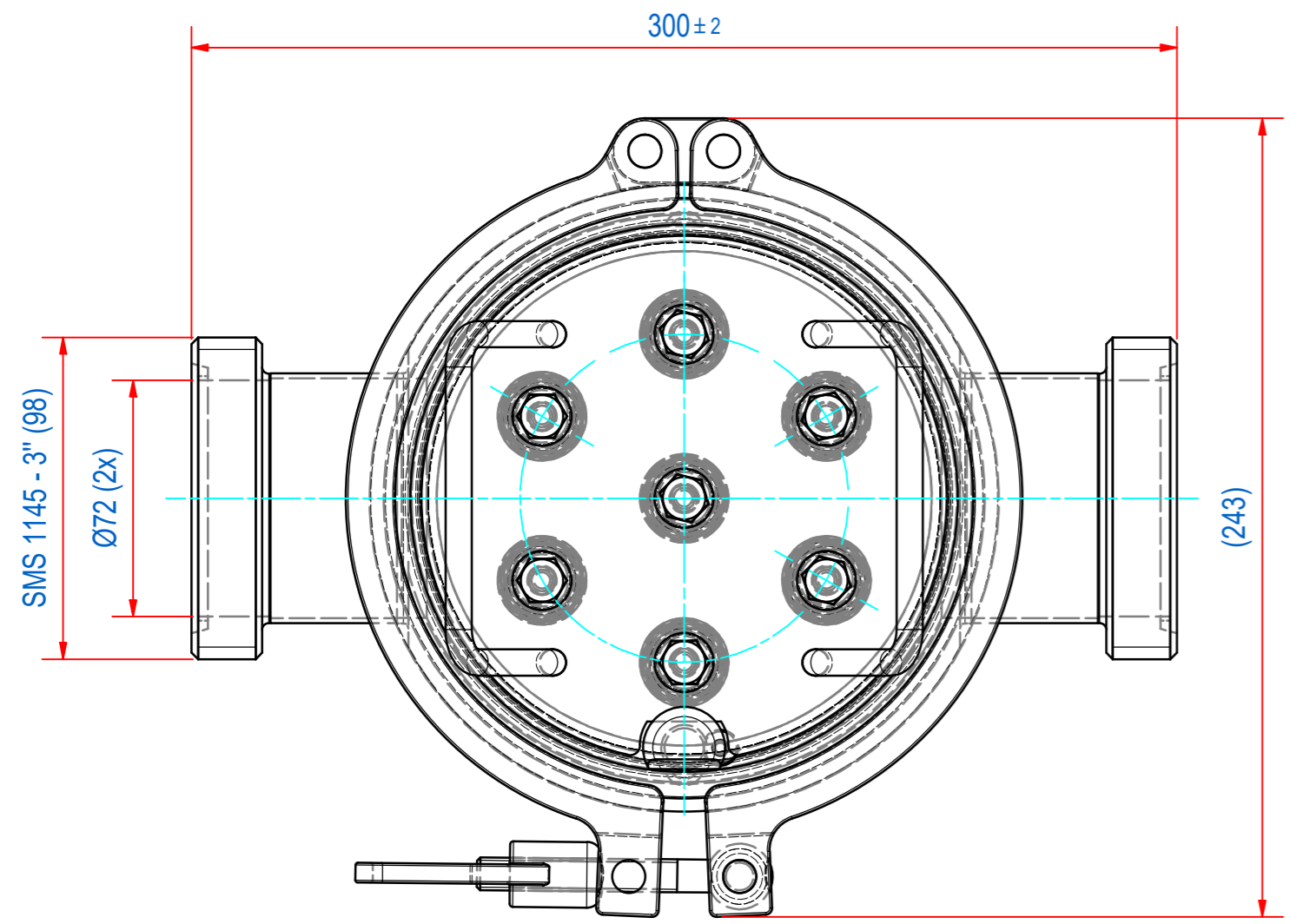
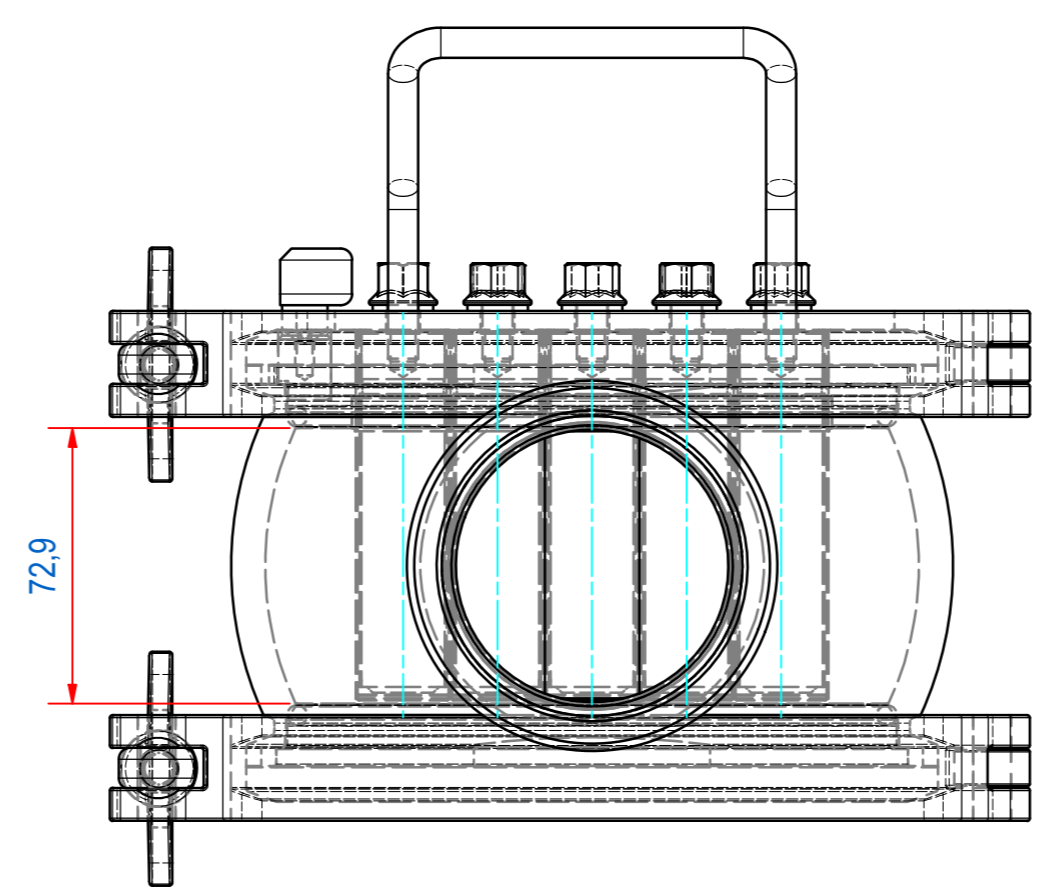
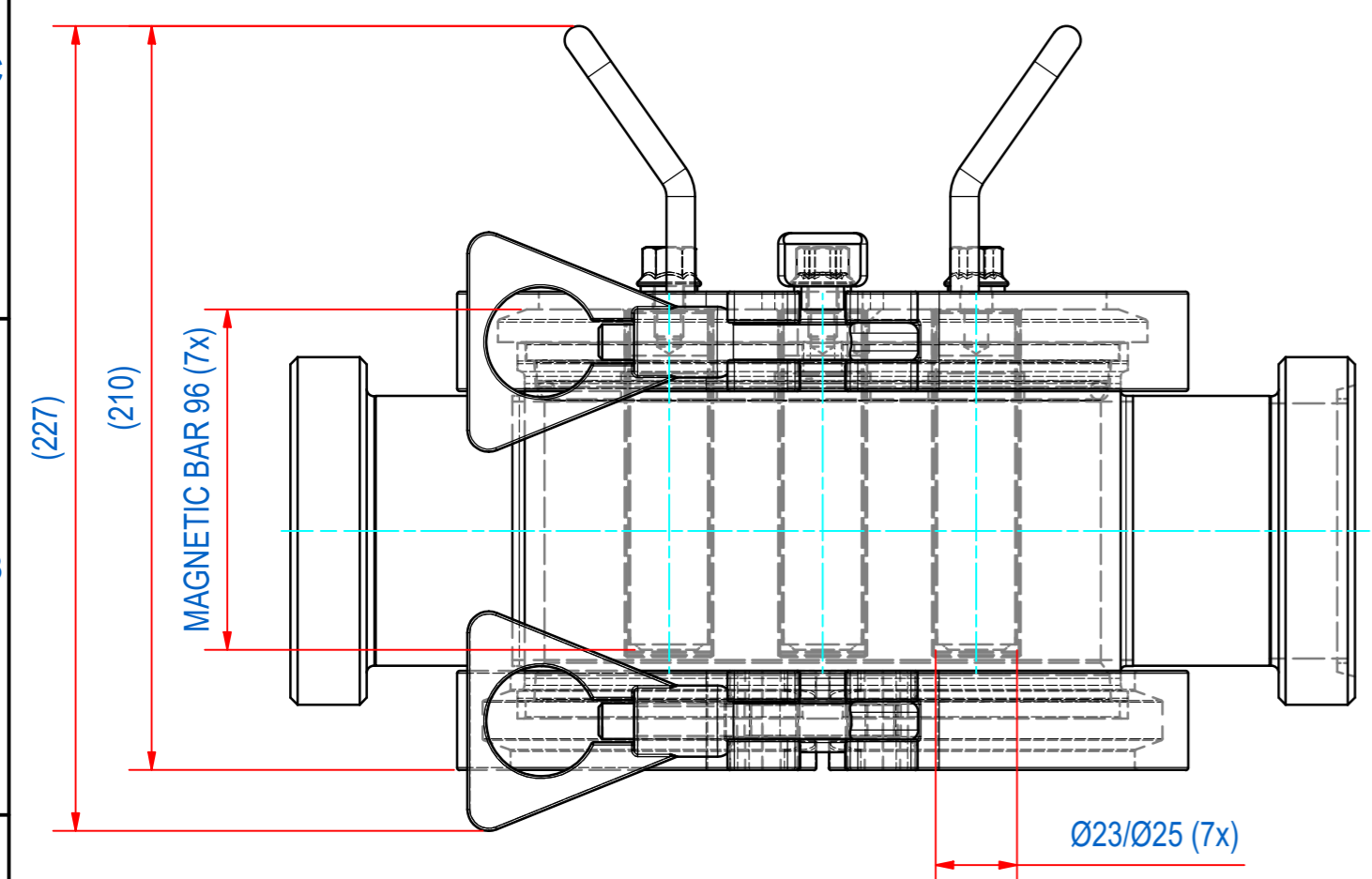


REV	DATE	BY	DESCRIPTION
-	22-8-2014	AvD	REFERENCE DRAWING E0015745
A	22-8-2014	AvD	OTHER O-RING PLACED



CLEANING PROTECTION

SEAL CONFORM TO HYGIENIC DESIGN



ITEM	QTY	PART NUMBER	DESCRIPTION	Dimensions
5	2	E0018393	O-RING Ø142,24xØ5,33 EC1935	
4	1	E0016733	SFH-000 BOTTOM PLATE 316L	
3	2	77.9630140	TRI-CLAMP DIN/ISO DN150 Ø183	
2	1	E0016698	SFH-SPARE-3"-07E TOP EXTR	
1	1	E0018076	SFH-3" SMS 1145 HOUSE 316L	

RAW MAT.	Quantity: 1	Material Number	Material Description	Length (mm)	Width (mm)
Sheet:	A2	Extra info:	MAGNETIC FILTER	General tolerance:	ISO 2768 - mK
Drawn:	AVD	Weight (kg):	20	Drawn according:	ISO268; ISO1101; ISO2553
Date:	23-6-2014	Status:	Released	Customer reference number:	
Spare part:	False	Quick search:	SFH-3"	Document number:	E0018082
Description:	SFH-3"-ST-07E-HT-F5M-S-B-B-B			Doc.Rev:	A
				Part number:	E0018082
				Rev:	A



© All rights reserved. Reproduction is not permitted without written permission of GOUDSMIT Magnetic Systems BV