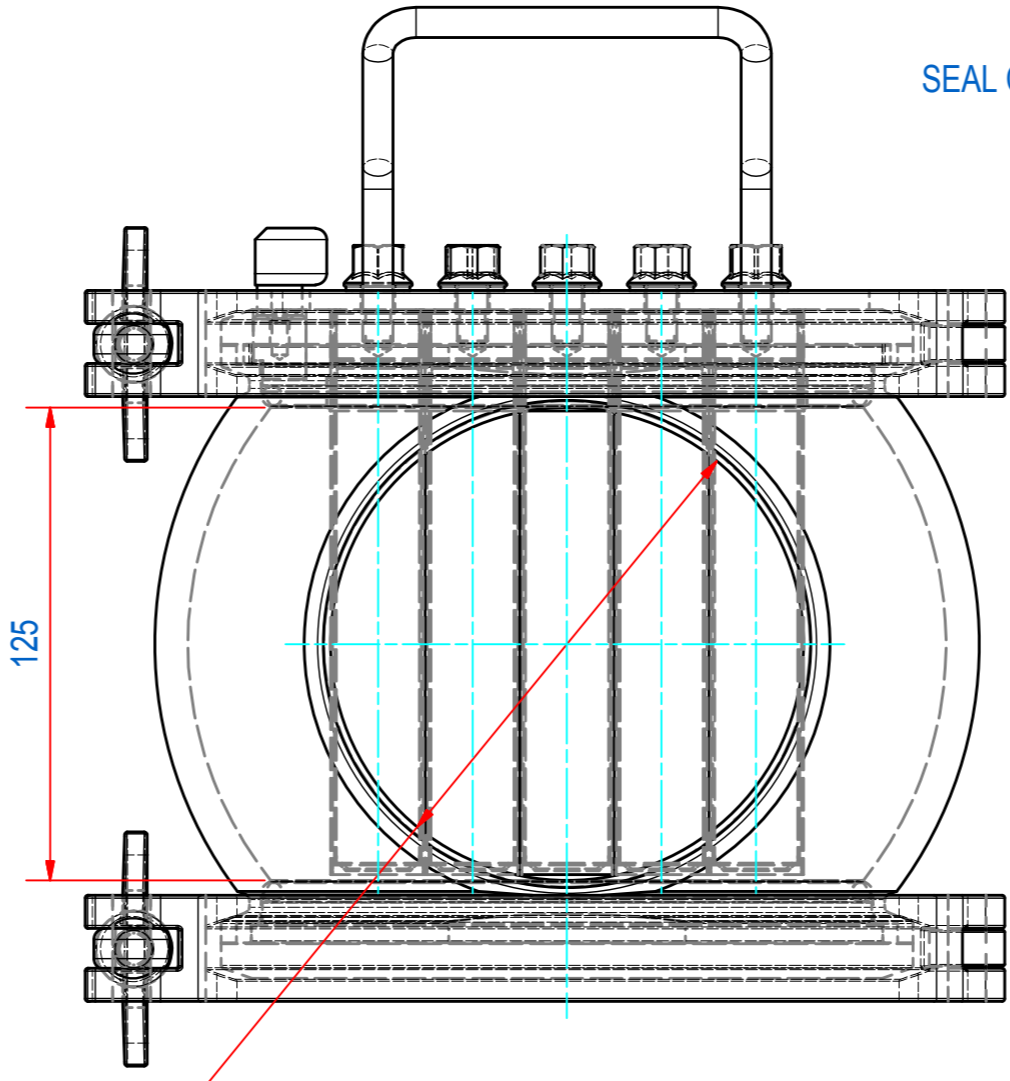
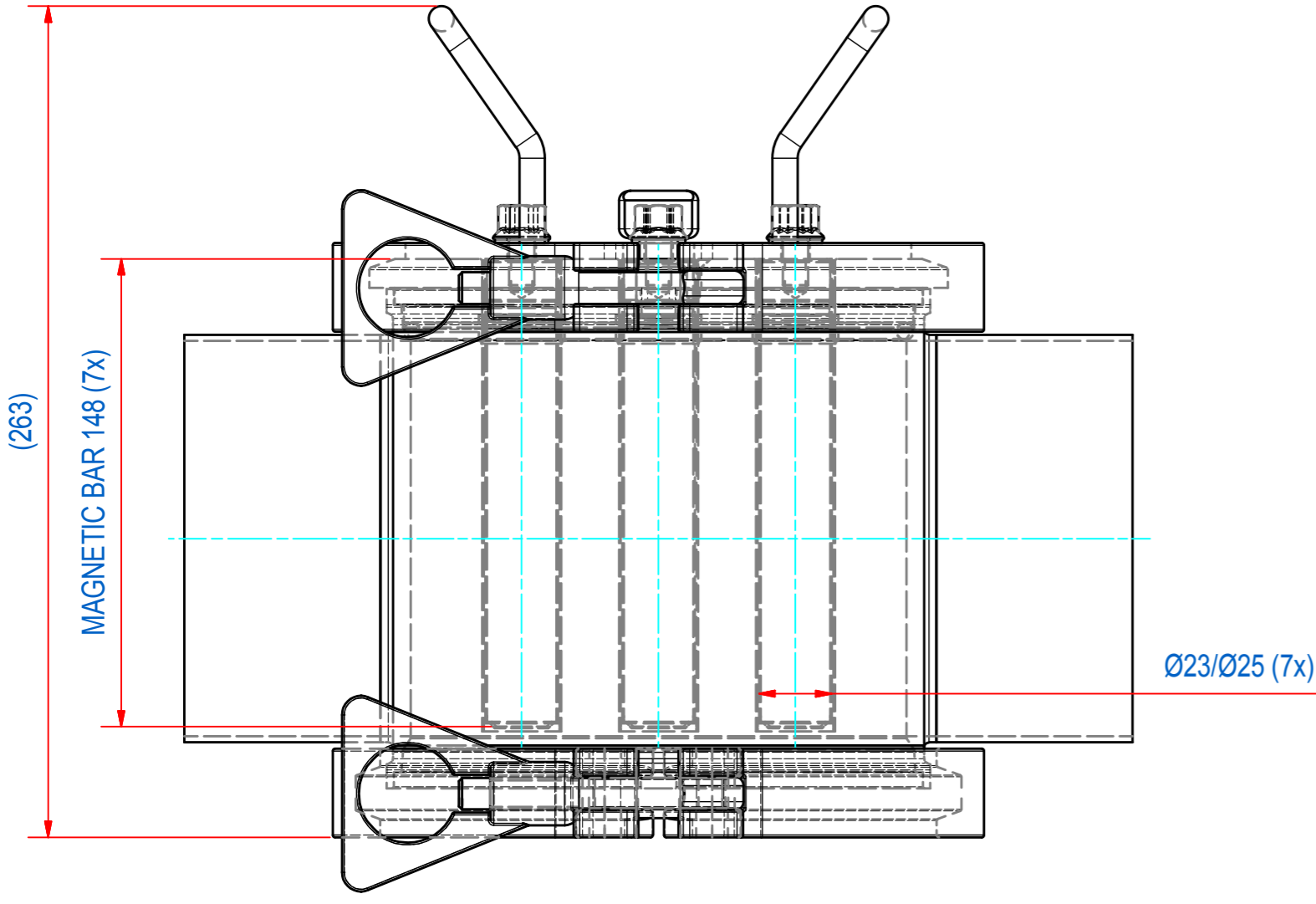
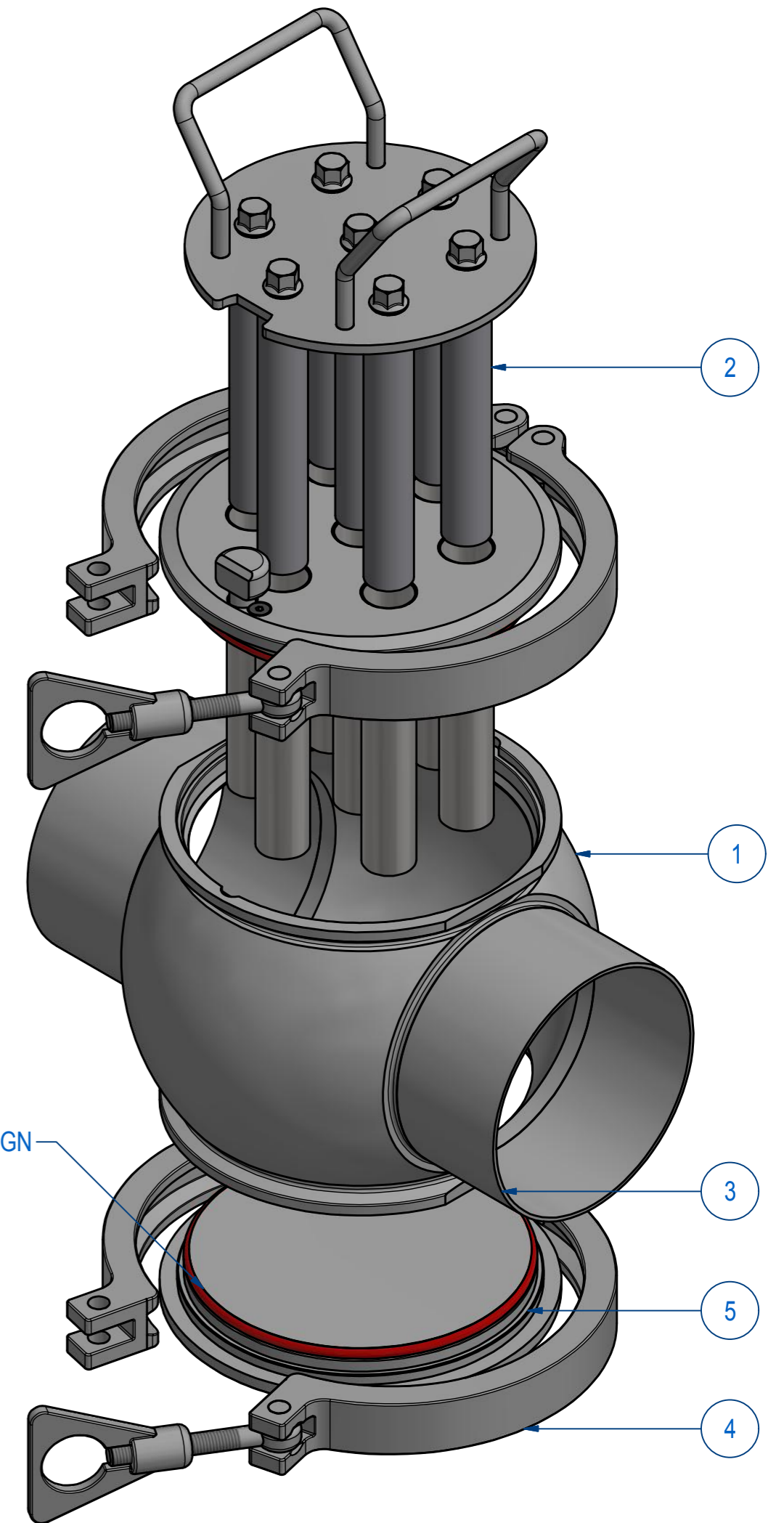
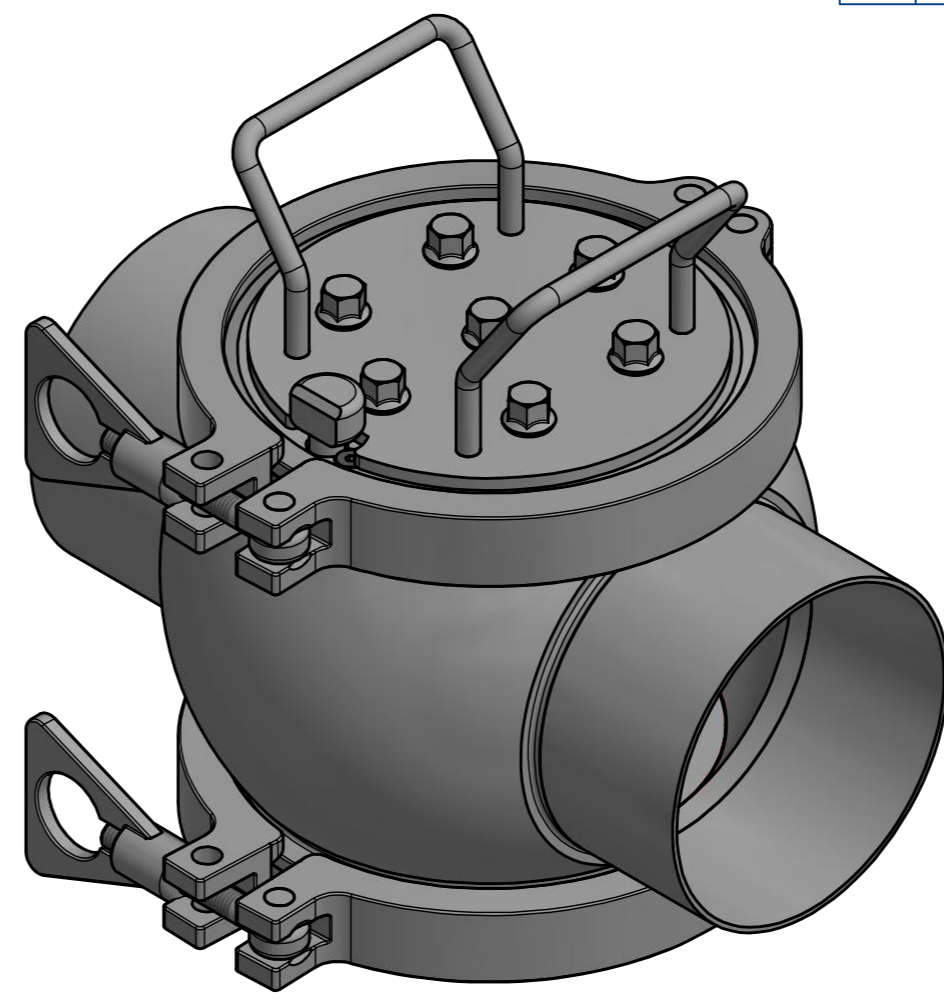
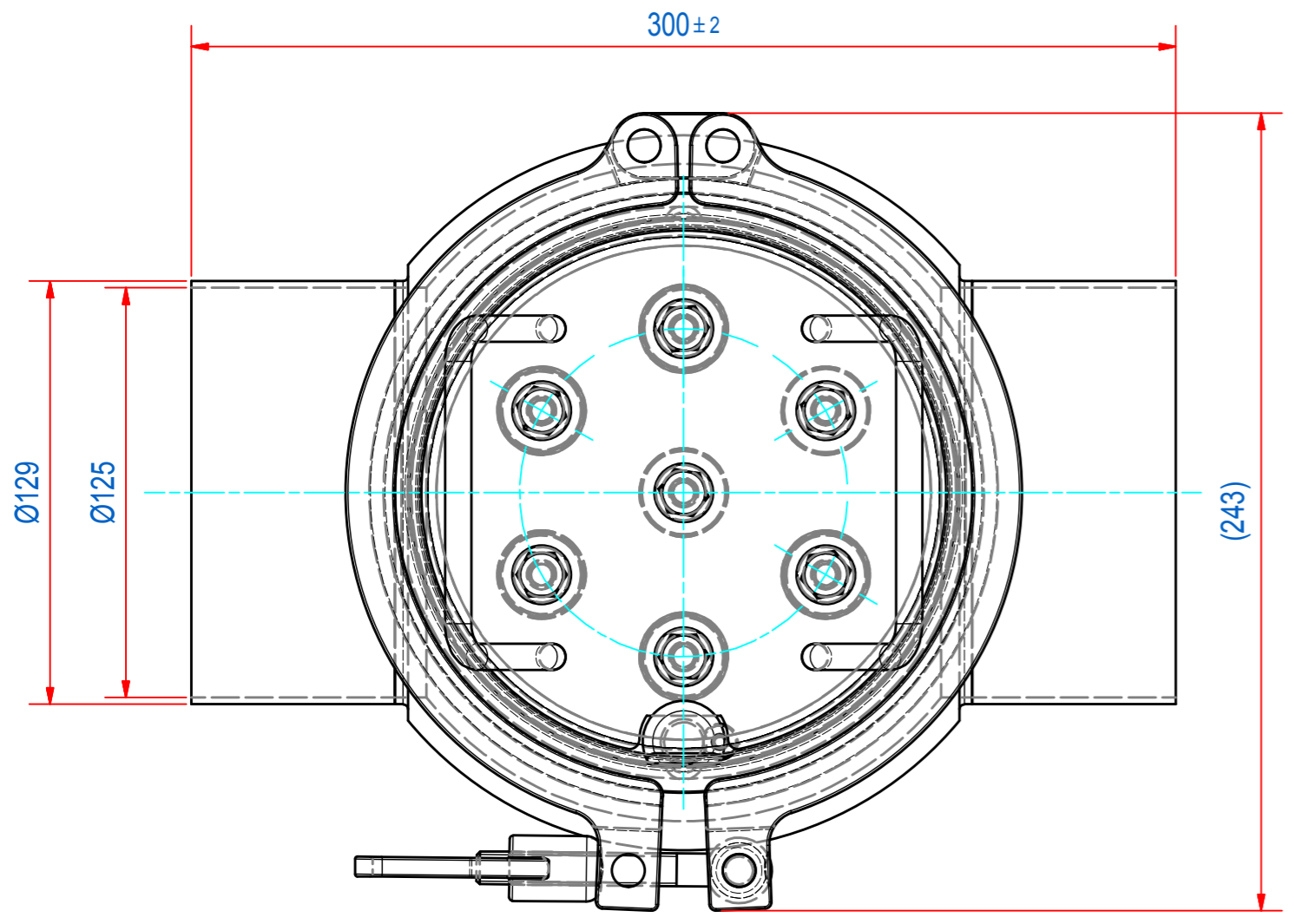


REV	DATE	BY	DESCRIPTION
-	7-7-2014	AvD	REFERENCE DRAWING E0015745



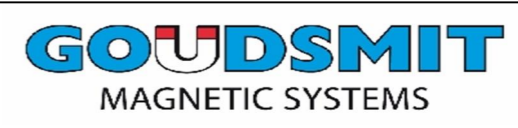
SEAL CONFORM TO HYGIENIC DESIGN

ITEM	QTY	PART NUMBER	DESCRIPTION	Dimensions
5	1	E0016733	SFH-000 BOTTOM PLATE 316L	
4	2	77.9630140	TRI-CLAMP DIN/ISO DN150 Ø183	
3	2	E0018393	O-RING Ø142,24xØ5,33 EC1935	
2	1	E0018617	TOP SFH-125-7E-HT	
1	1	E0018623	HOUSE SFH-125-T1 316L	

RAW MAT.	QTY	MAT. NUMBER	MAT. DESCRIPTION	LENGTH (mm)	WIDTH (mm)
⊕	1				

Sheet: <b>A2</b>	Extra info:	General tolerance: <b>ISO 2768 - mK</b>
Drawn: <b>AVD</b>	Weight (kg): <b>22,6</b>	Drawn according: <b>ISO268; ISO1101; ISO2553</b>
Date: <b>3-7-2014</b>		Status: <b>Standard</b>
Spare part: <b>False</b>		Customer reference number:
Quick search: <b>SFH-125</b>		File number: <b>E0018618</b>
Description: <b>SFH-125-T1-07E-HT-F5M-S-B-B</b>		Part number: <b>E0018618</b>



© All rights reserved. Reproduction is not permitted without written permission of GOUDSMIT Magnetic Systems BV