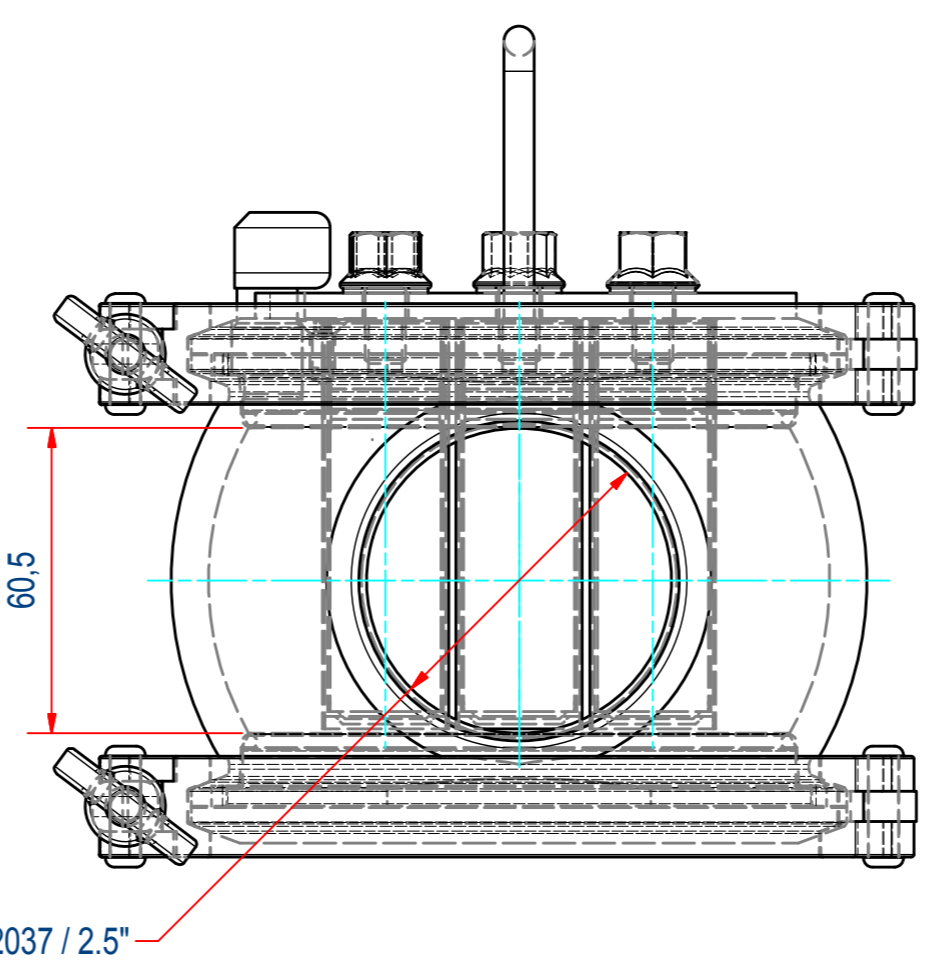
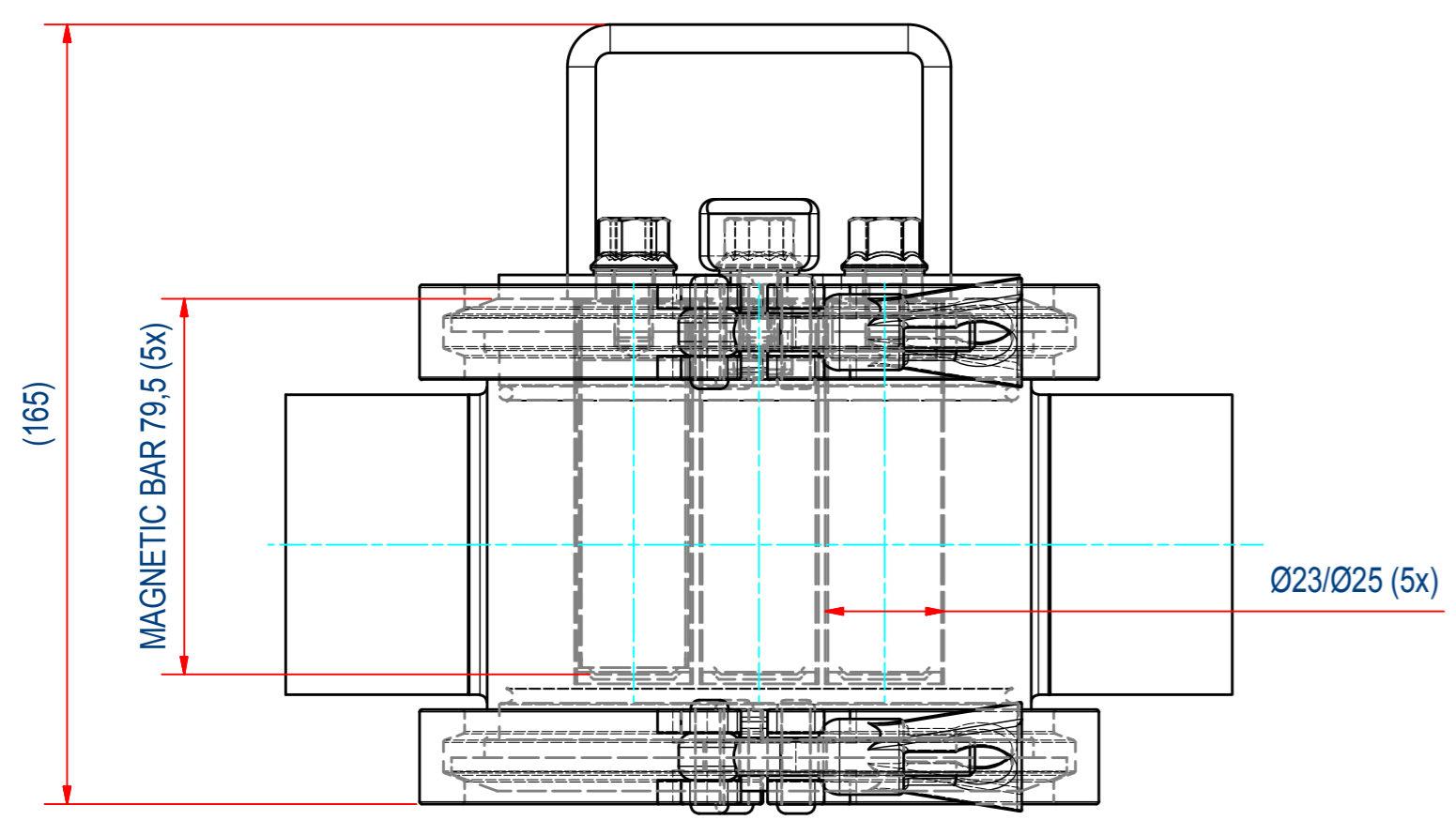
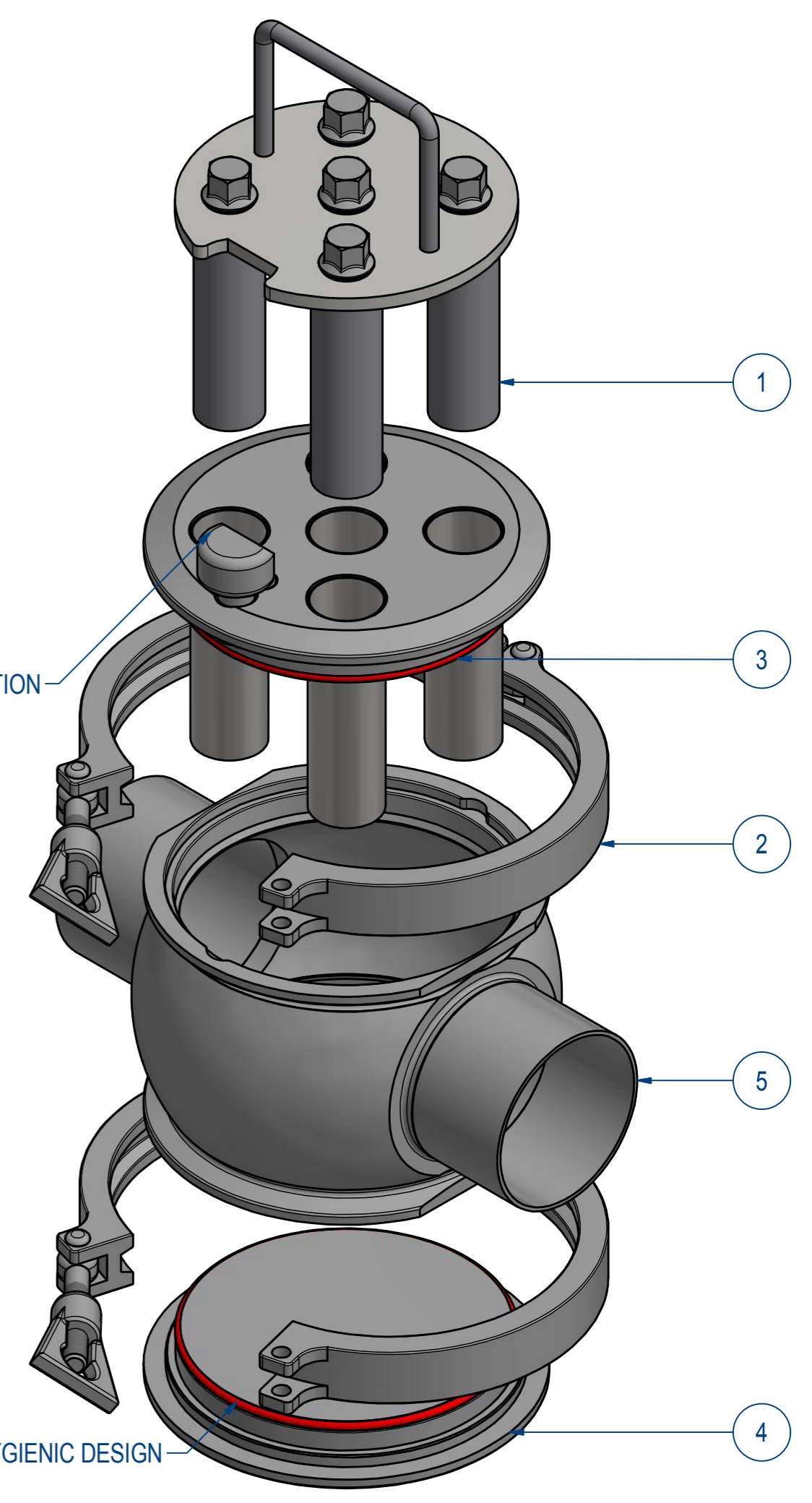
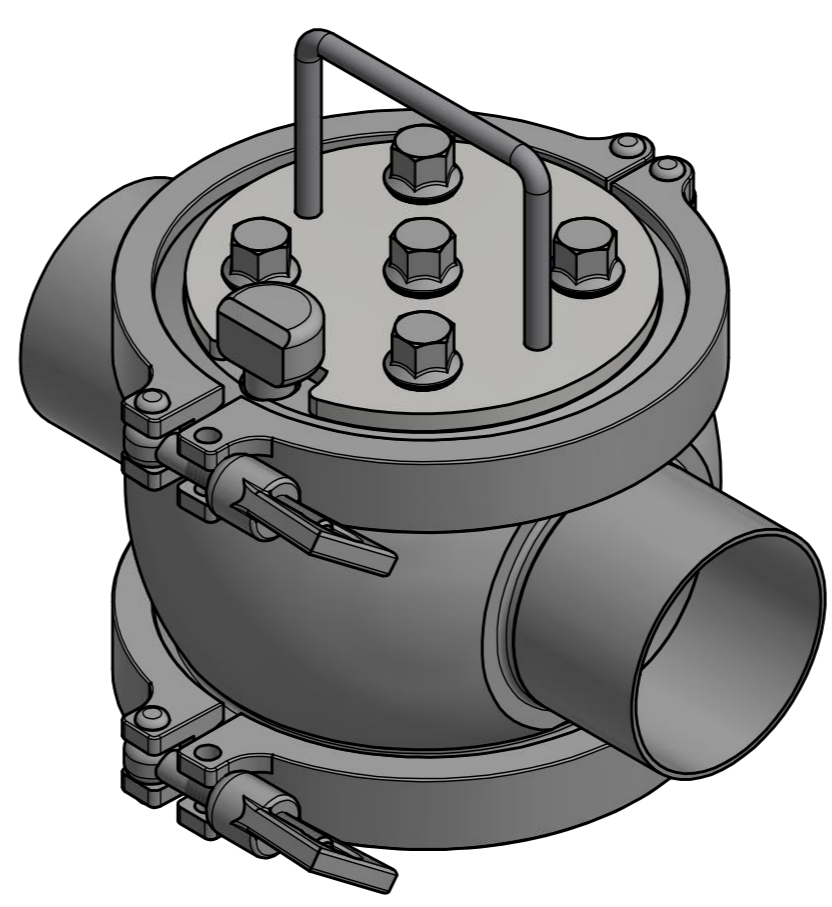
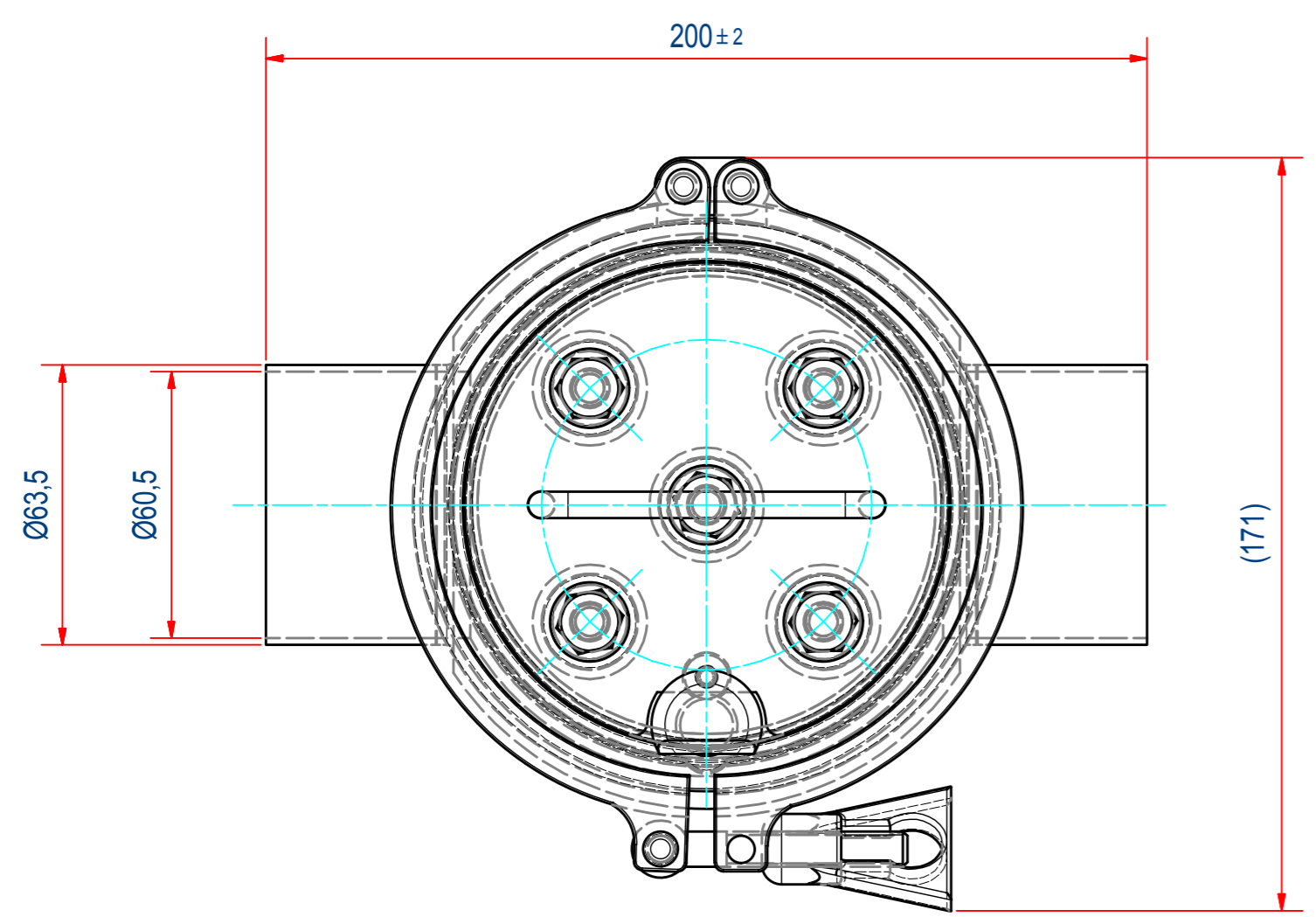


REV	DATE	BY	DESCRIPTION
-	22-8-2014	AvD	REFERENCE DRAWING E0011932



CLEANING PROTECTION

SEAL CONFORM TO HYGIENIC DESIGN

ITEM	QTY	PART NUMBER	DESCRIPTION	Dimensions
5	1	E0016306	SFH-2,5" Ø63,5 x 1,5 HOUSE 316L	
4	1	E0014904	SFH-50 BOTTOM PLATE 316L	
3	2	E0017388	O-RING Ø96xØ3 EC1935	
2	2	77.9630092	CLAMP LIGHT ISO-2852 4.5"	
1	1	E0020375	TOP SFH-2.5"-5E/HT	

RAW MAT.	1				
QTY		MAT. NUMBER	MAT. DESCRIPTION	LENGTH (mm)	WIDTH (mm)
Sheet: A2		Extra info:		General tolerance: ISO 2768 - mK	
Drawn: AVD		Weight (kg): 8,1		Drawn according: ISO268; ISO1101; ISO2553	
Date: 21-8-2014				Status: Standard	
Spare part: False				Customer reference number:	
Quick search: SFH-2.5"		<small>© All rights reserved. Reproduction is not permitted without written permission of GOUDSMIT Magnetic Systems BV</small>		File number: E0020431	
Description: SFH-2.5"-T2-05E-HT-F5M-S-B-B				Part number: E0020431	