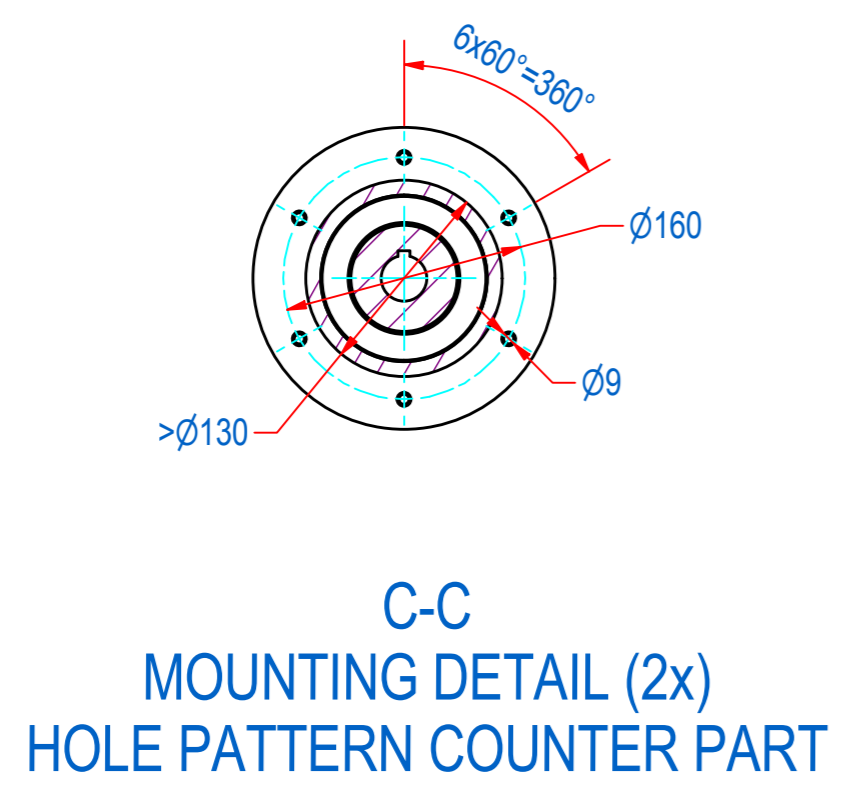
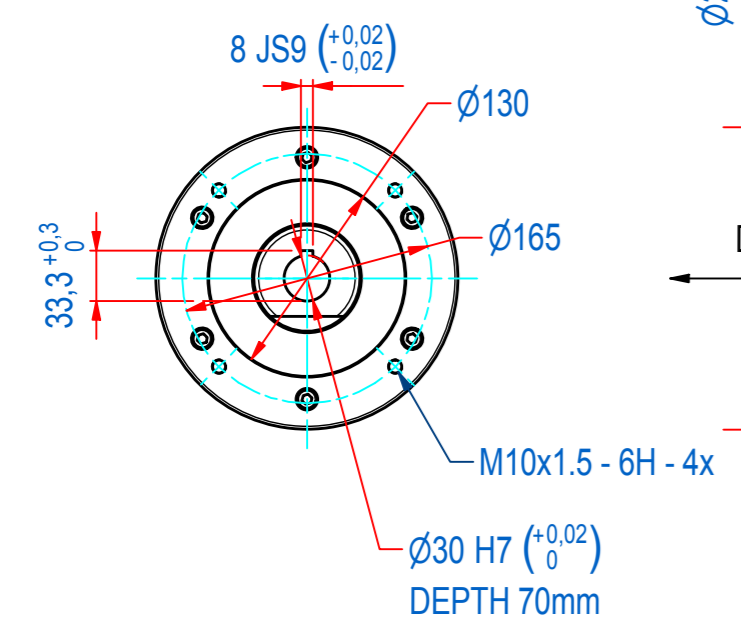
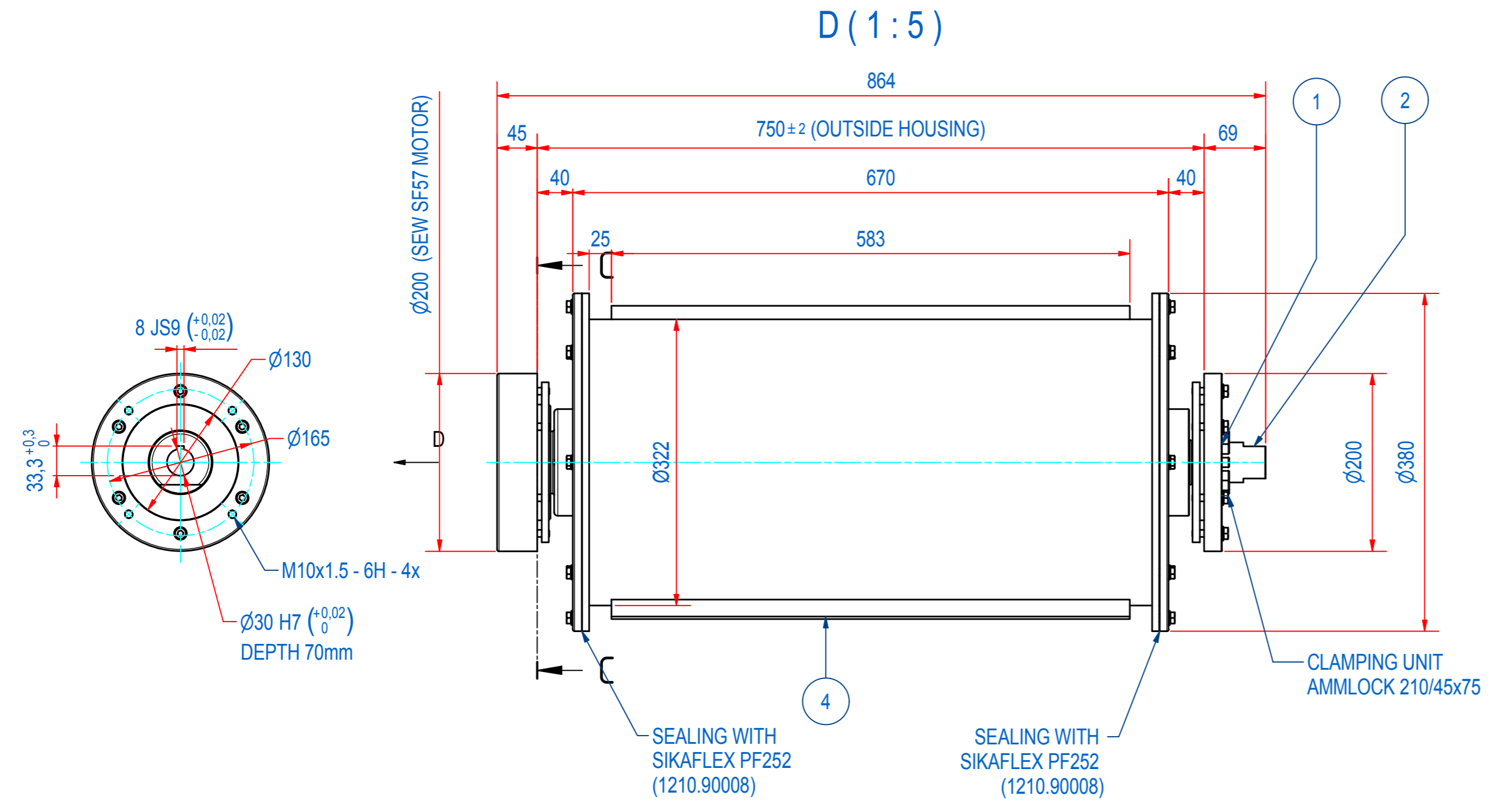
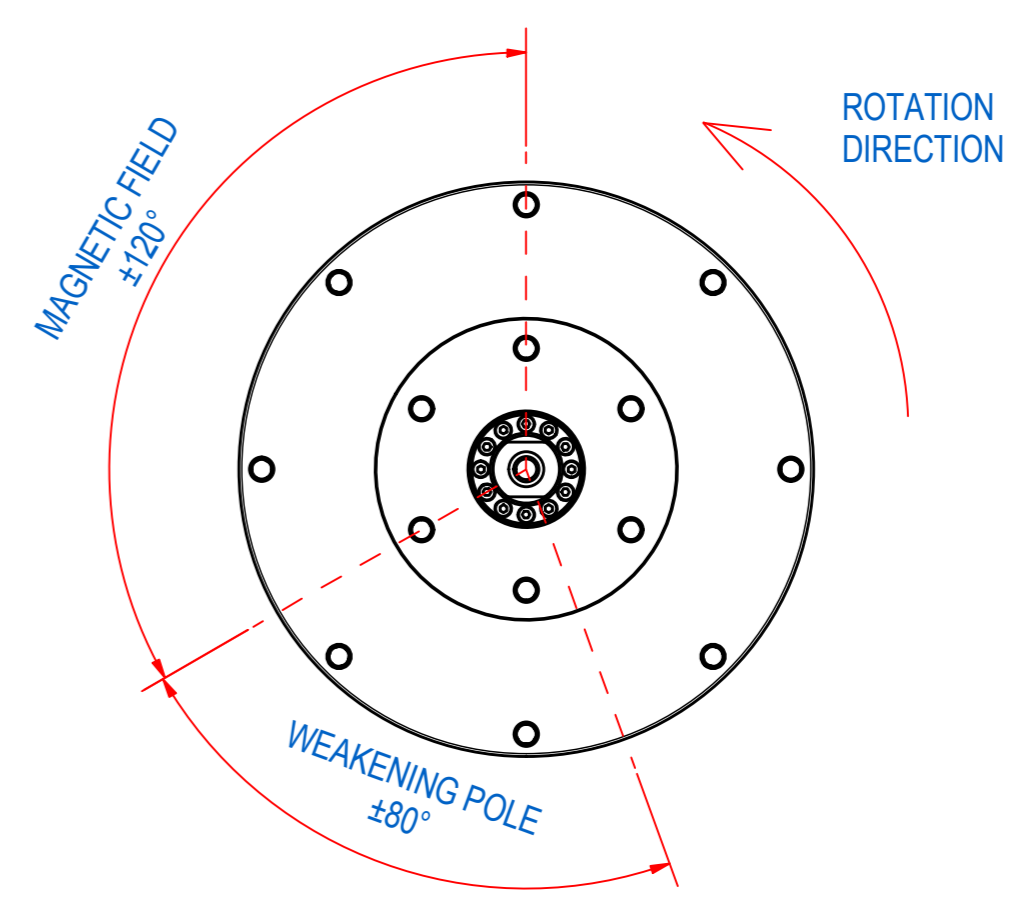


REV	DATE	BY	DESCRIPTION
-	2-9-2014	TD	ORIGINAL DRAWING
A	4-12-2014	TD	DIM 750 (was 800) DIM 634 (WAS 880)
B	17-10-2016	DD	SHELL CHANGED, PRODUCT KEY CHANGED



ITEM	QTY	PART NUMBER	DESCRIPTION	Dimensions
4	1	E0060208	SHELL WITH CLEATS RECD 06	
2	1	E0017822	DR-06 AXLE R304	
3	1	E0019920	DR-06-P MAGNET PACK	
1	1	E0011058	FLANGE ASSY	

RAW MAT.	Quantity	Material Number	Material Description	Length (mm)	Width (mm)
	1				

Sheet:	A2	Extra info:	General tolerance:	ISO 2768 - mK
Drawn:	TT	Weight (kg):	Drawn according:	ISO268; ISO1101; ISO2553
Date:	10-5-2019		Status:	Released
Spare part:	False		Customer reference number:	
Quick search:	RMD-06		Document number:	E0020871
Description:	RMD-06-32-RN-P-OR-30S2		Doc.Rev:	B
			Part number:	E0020871
			Rev:	B