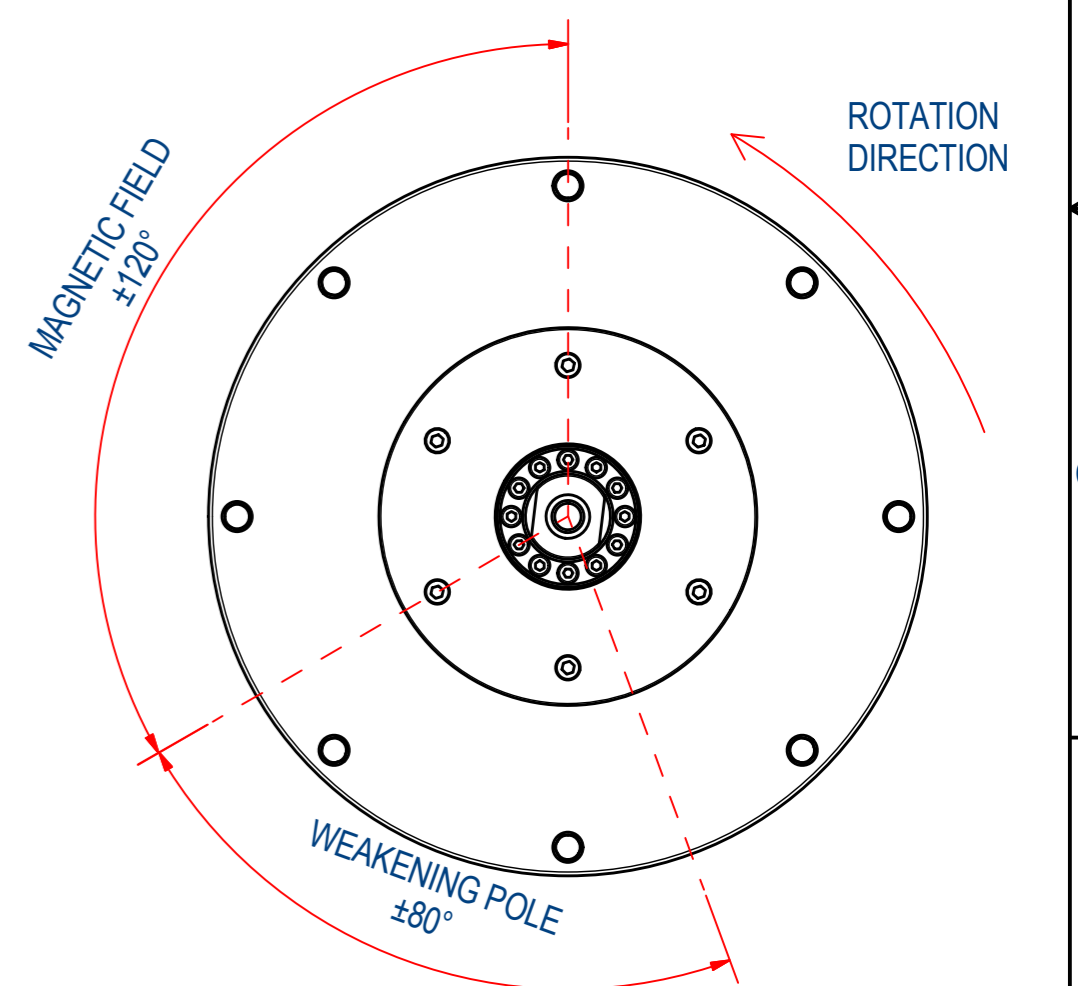
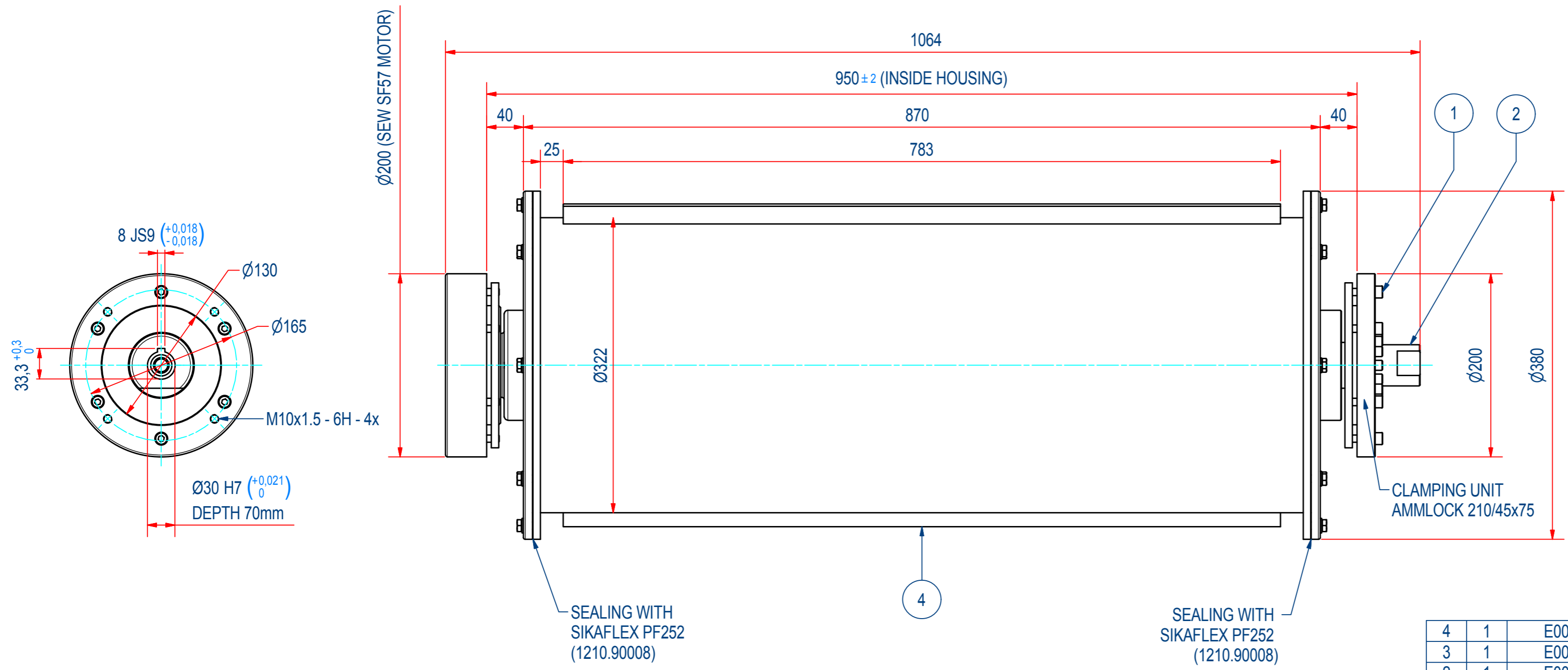
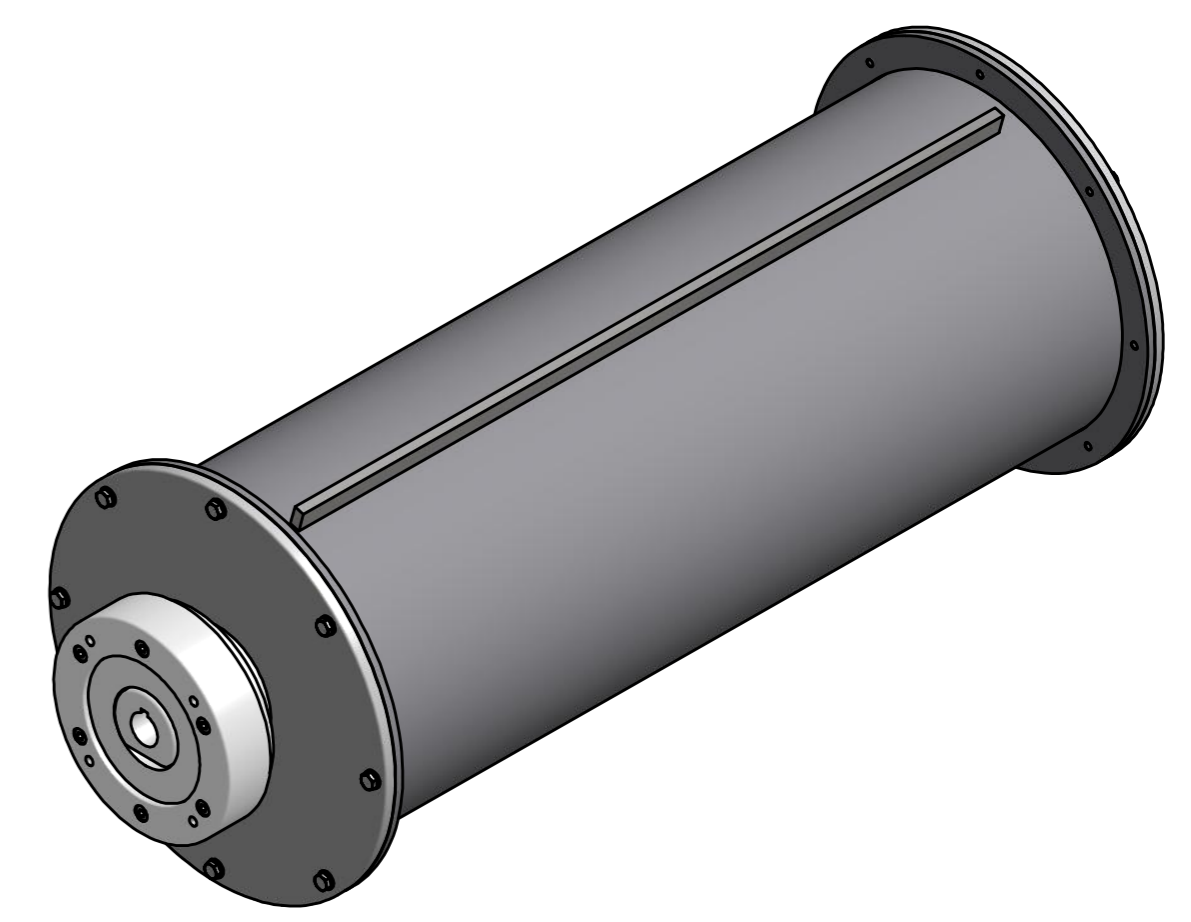
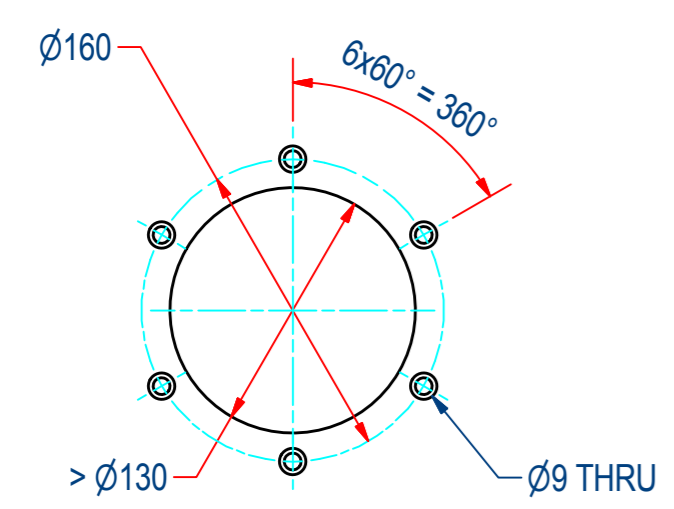


REV	DATE	BY	DESCRIPTION
-	9-12-2014	TD	Reference drawing = E0010858
A	17-10-2016	DD	PRODUCT KEY CHANGED, SHELL CHANGED

HOLE PATTERN FOR HOUSING



ITEM	QTY	PART NUMBER	DESCRIPTION	Dimensions
4	1	E0047686	SHELL WITH CLEATS RECD 08	
3	1	E0016929	DR-08-P MAGNET PACK	
2	1	E0009976	DR-08 AXLE ST	
1	1	E0011058	DR-00 FLANGE ASSY ALU	

RAW MAT.	QTY	MAT. NUMBER	MAT. DESCRIPTION	LENGTH (mm)	WIDTH (mm)
	1				

Sheet: A2	Extra info:	General tolerance: ISO 2768 - cL
Drawn: TD	Weight (kg): 236,6	Drawn according: ISO268; ISO1101; ISO2553
Date: 9-12-2014		Status: Released
Spare part: False		Customer reference number:
Quick search: RMD-08	<small>© All rights reserved. Reproduction is not permitted without written permission of GOUDSMIT Magnetic Systems BV</small>	File number: E0025957 Rev: A
Description: RMD-08-32-RN-P-OR-30S2		Part number: E0025957 Rev: A