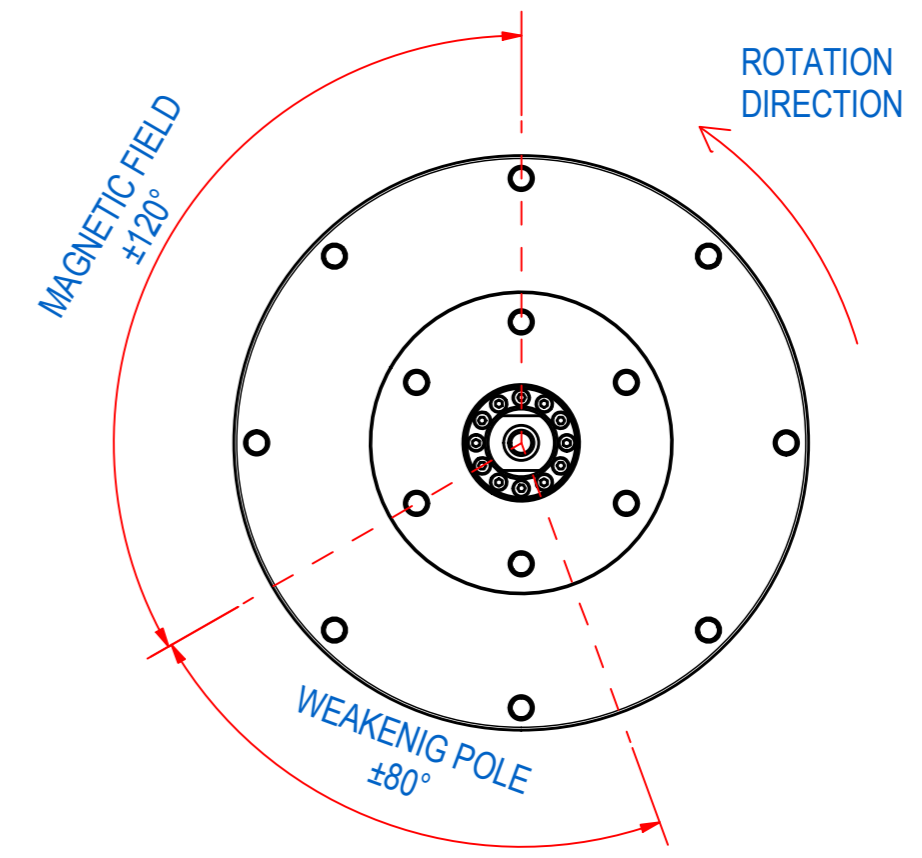
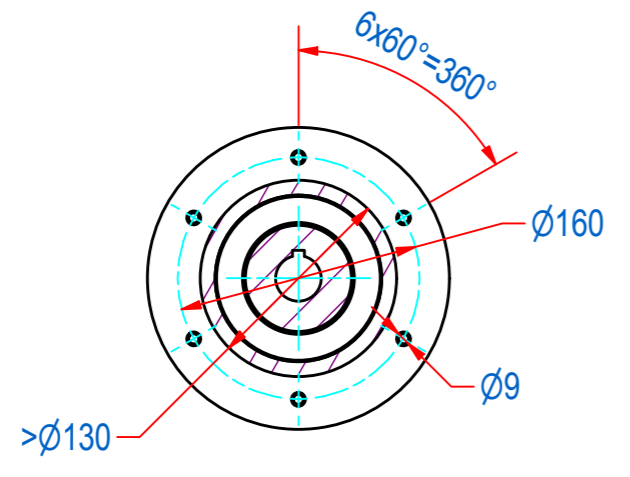
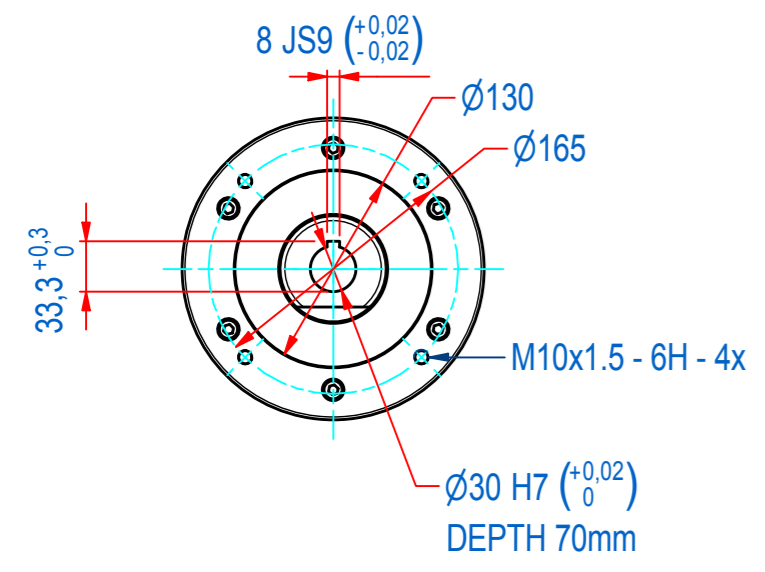
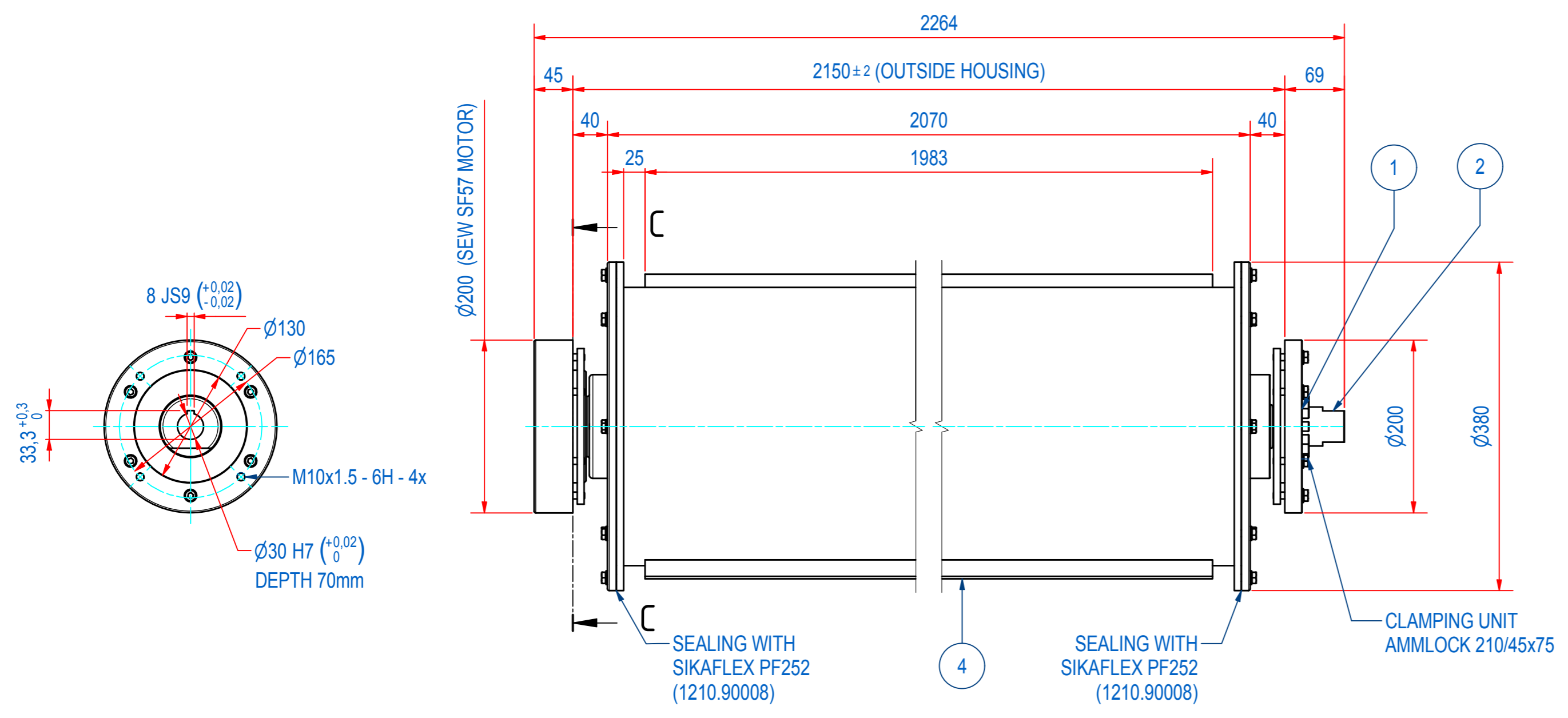


REV	DATE	BY	DESCRIPTION
-	9-12-2014	TD	Reference drawing = E0025965
A	19-10-2016	DD	DIMENSIONS ADDED, TEXT ADDED, NEW SHELL



ITEM	QTY	PART NUMBER	DESCRIPTION	Dimensions
4	1	E0060455	SHELL WITH CLEATS RECD 15	
3	1	E0019963	DR-20-P MAGNET PACK	
2	1	E0017826	DR-20 AXLE ST	
1	1	E0011058	FLANGE ASSY	

RAW MAT.	Quantity	Material Number	Material Description	Length (mm)	Width (mm)
1	1				

Sheet: A2	Extra info:	General tolerance: ISO 2768 - mK
Drawn: TT	Weight (kg): 532.5	Drawn according: ISO268; ISO1101; ISO2553
Date: 10-5-2019		Status: Released
Spare part: False	Source:	Customer reference number:
Quick search: RMD-20		
Description: RMD-20-32-RN-P-OR-30S2	Document number: E0025965	Doc.Rev: A
	Part number: E0025966	Rev: A