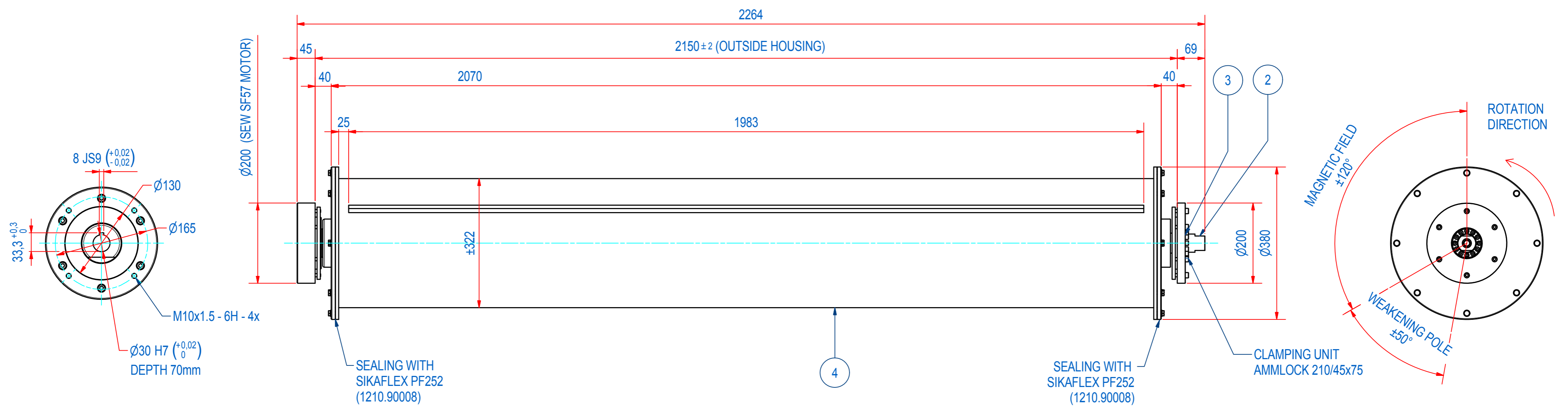
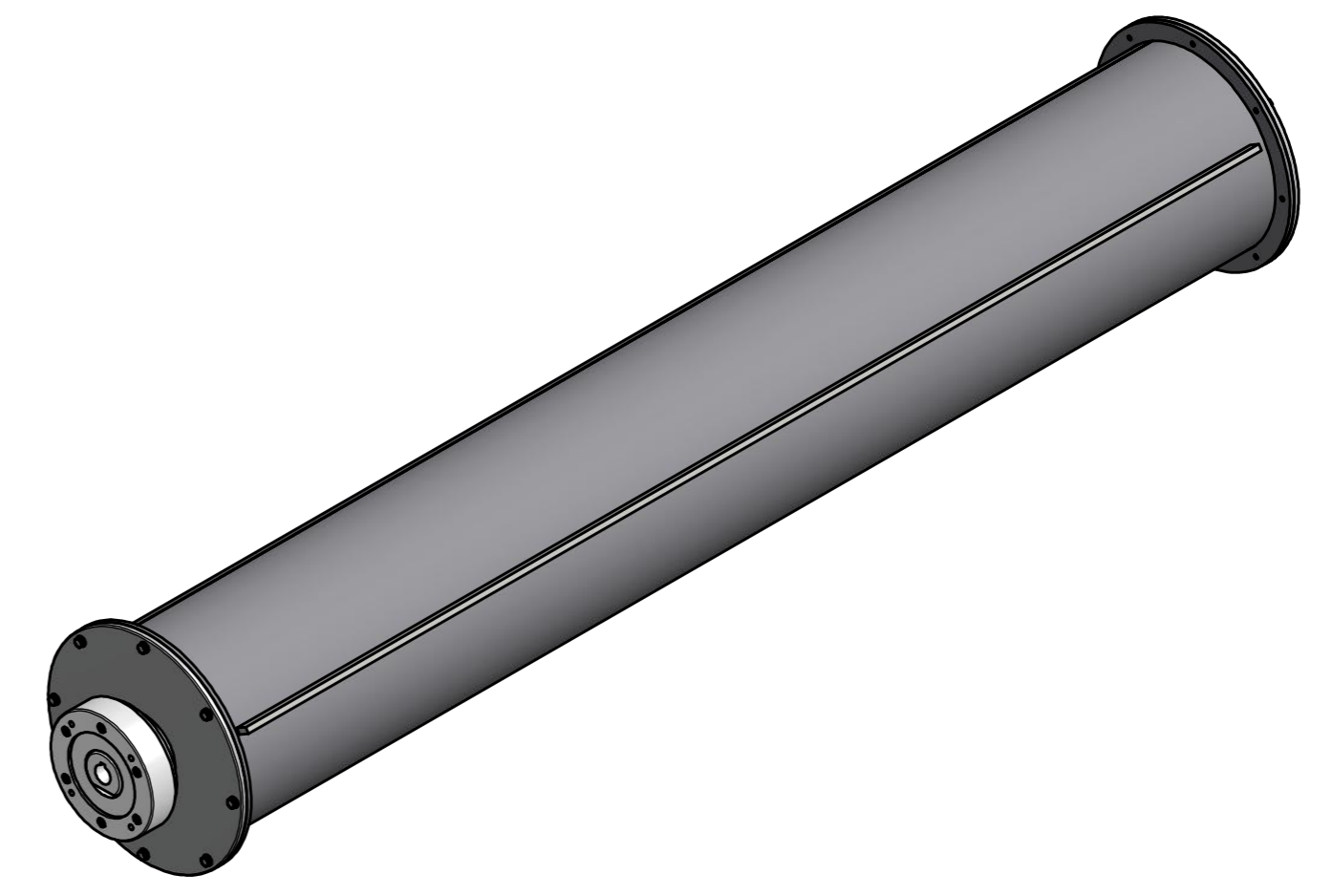
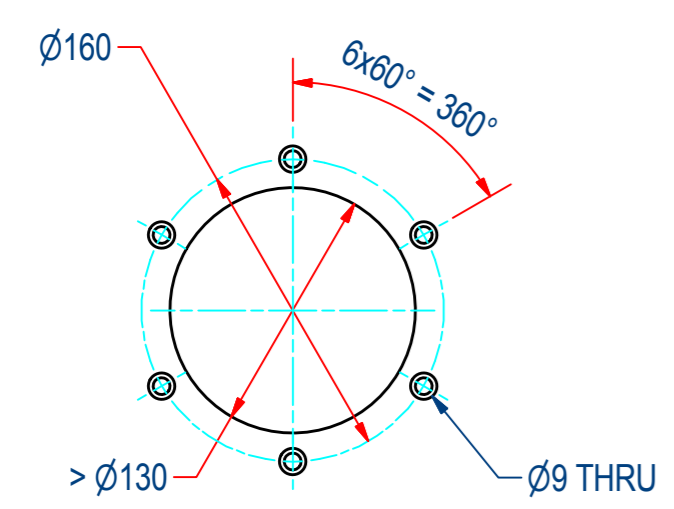


REV	DATE	BY	DESCRIPTION
-	9-12-2014	TD	Reference drawing = E0025965
A	27-9-2016	DD	SHELL CHANGED, PRODUCT KEY CHANGED

HOLE PATTERN FOR HOUSING



ITEM	QTY	PART NUMBER	DESCRIPTION	Dimensions
4	1	E0060455	SHELL WITH CLEATS RECD 15	
3	1	E0011058	DR-00 FLANGE ASSY ALU	
2	1	E0017826	DR-20 AXLE ST	
1	1	E0019907	DR-20-B DRUM ASSY	

RAW MAT.	QTY	MAT. NUMBER	MAT. DESCRIPTION	LENGTH (mm)	WIDTH (mm)
	1				

Sheet: A2	Extra info:	General tolerance: ISO 2768 - mK
Drawn: TD	Weight (kg): 323,5	Drawn according: ISO268; ISO1101; ISO2553
Date: 9-12-2014		Status: Released
Spare part: False		Customer reference number:
Quick search: RMD-20		File number: E0025971
Description: RMD-20-32-RN-B-OR-30S2		Part number: E0025970

GOUDSMIT
MAGNETIC SYSTEMS

© All rights reserved. Reproduction is not permitted without written permission of GOUDSMIT Magnetic Systems BV