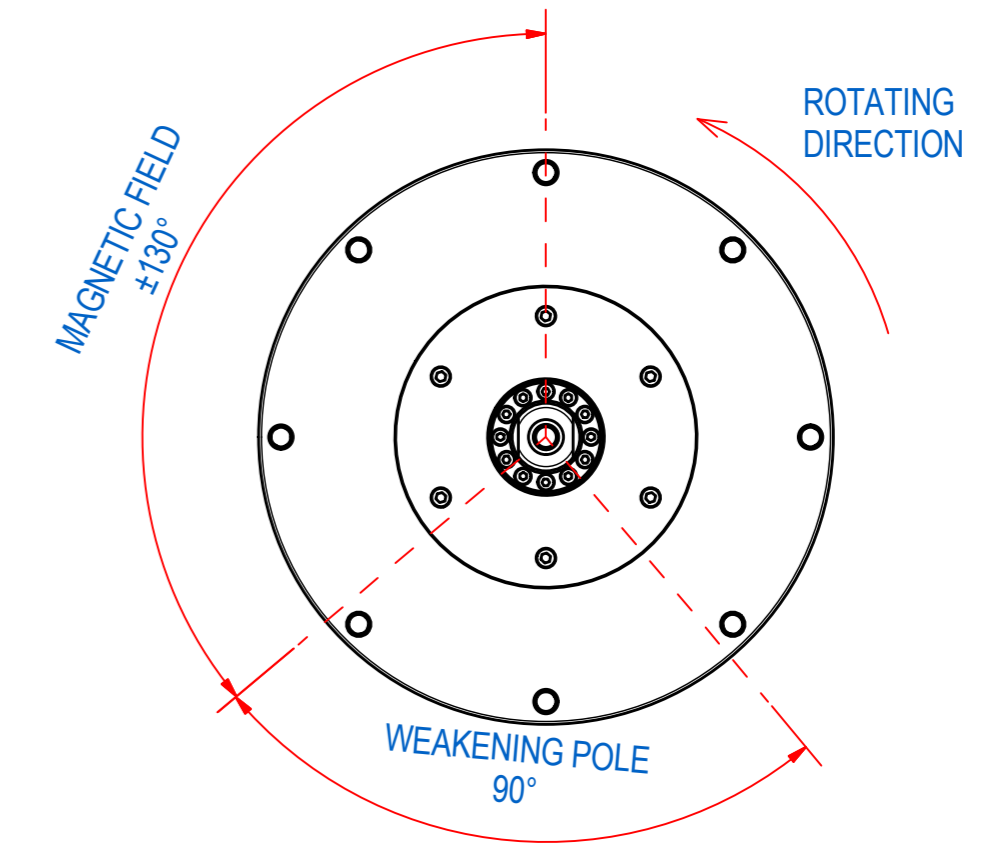
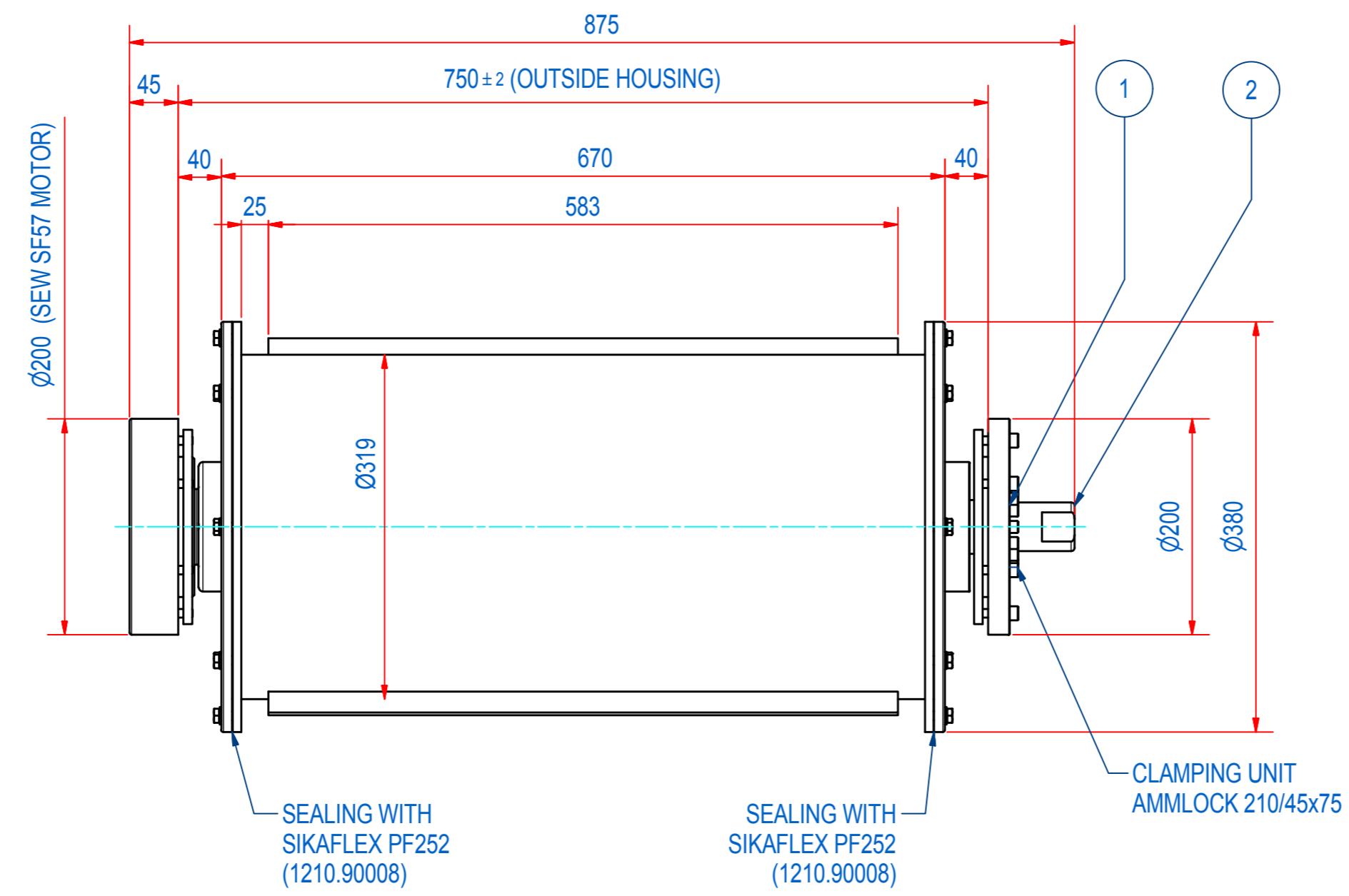
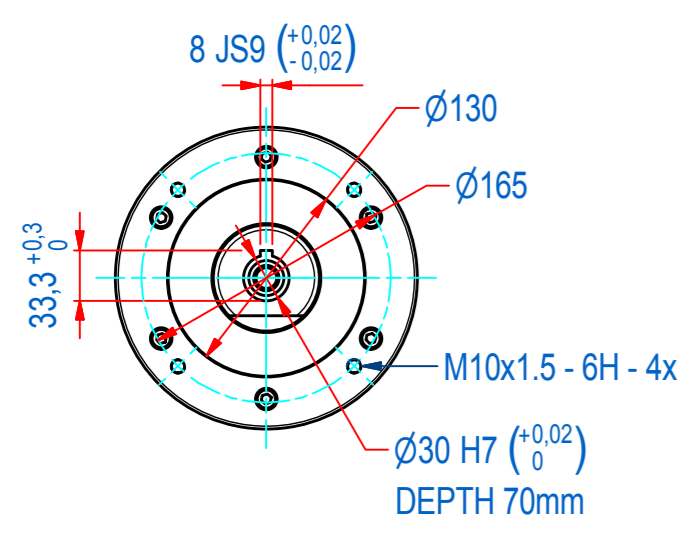
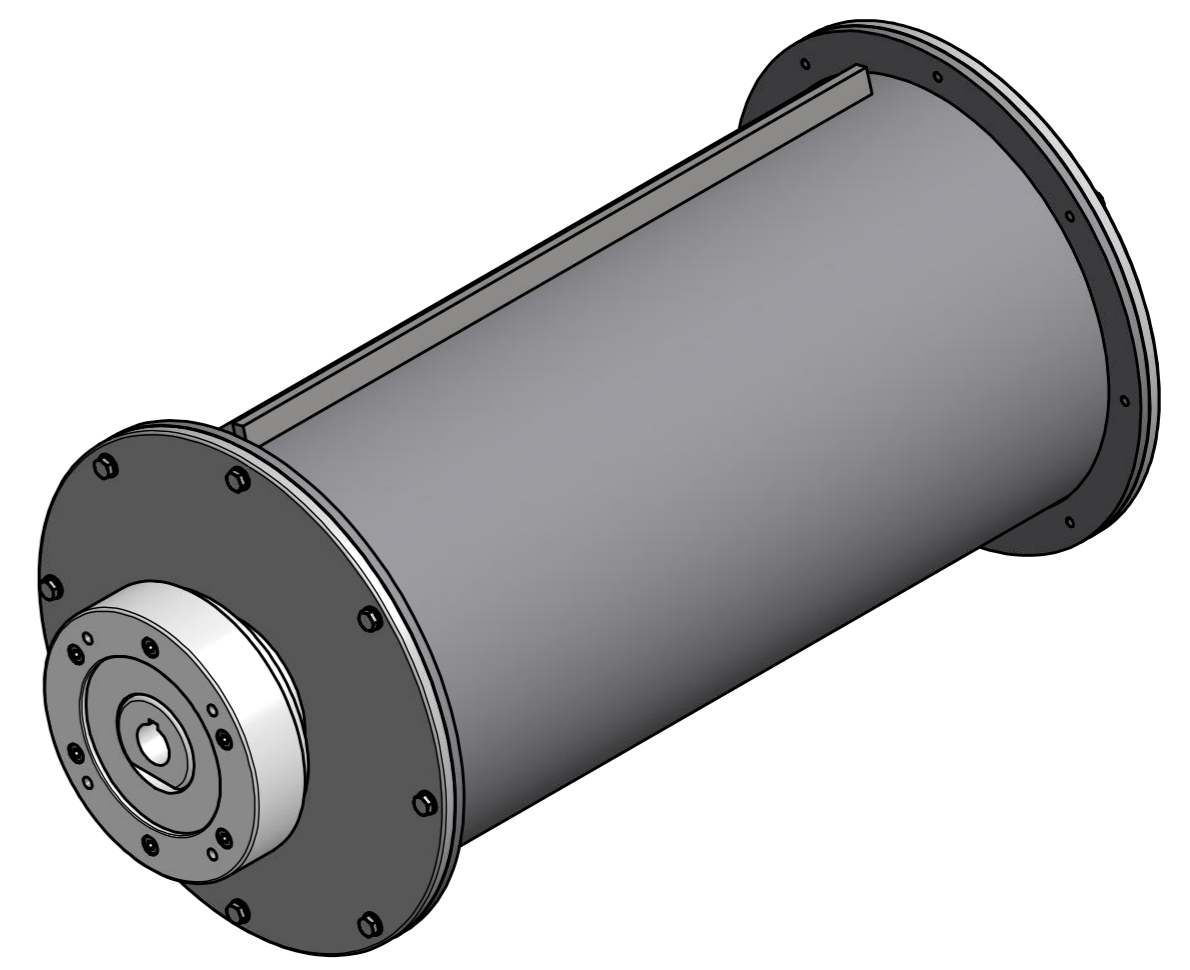
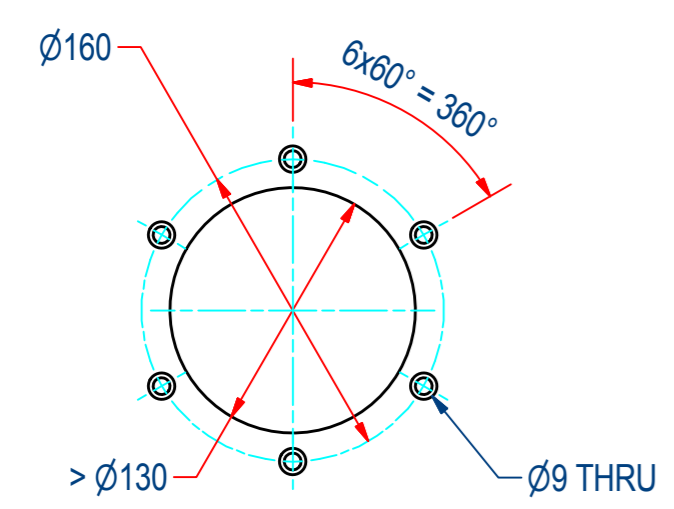


REV	DATE	BY	DESCRIPTION
-	11-12-2014	TD	Reference drawing = E0026091
A	23-9-2015	TD	NXTDIM PROBLEM, PFD WAS MISSING
B	19-10-2016	DD	SHELL CHANGED, PRODUCT KEY CHANGED

HOLE PATTERN FOR HOUSING



ITEM	QTY	PART NUMBER	DESCRIPTION	Dimensions	
3	1	E0061786	SHELL WITH CLEATS RECD 06		
2	1	E0019846	DR-06-H MAGNET PACK		
1	1	E0011058	DR-00 FLANGE ASSY ALU		
RAW MAT.	QTY	MAT. NUMBER	MAT. DESCRIPTION	LENGTH (mm)	WIDTH (mm)
	1				

Sheet: A2	Extra info:	General tolerance: ISO 2768 - mK
Drawn: TD	Weight (kg): 179	Drawn according: ISO268; ISO1101; ISO2553
Date: 11-12-2014		Status: Released
Spare part: False		Customer reference number:
Quick search: RMD-06	<p>© All rights reserved. Reproduction is not permitted without written permission of GOUDSMIT Magnetic Systems BV</p>	File number: E0026091 Rev: B
Description: RMD-06-32-RN-H-OR-15S2		Part number: E0026090 Rev: B