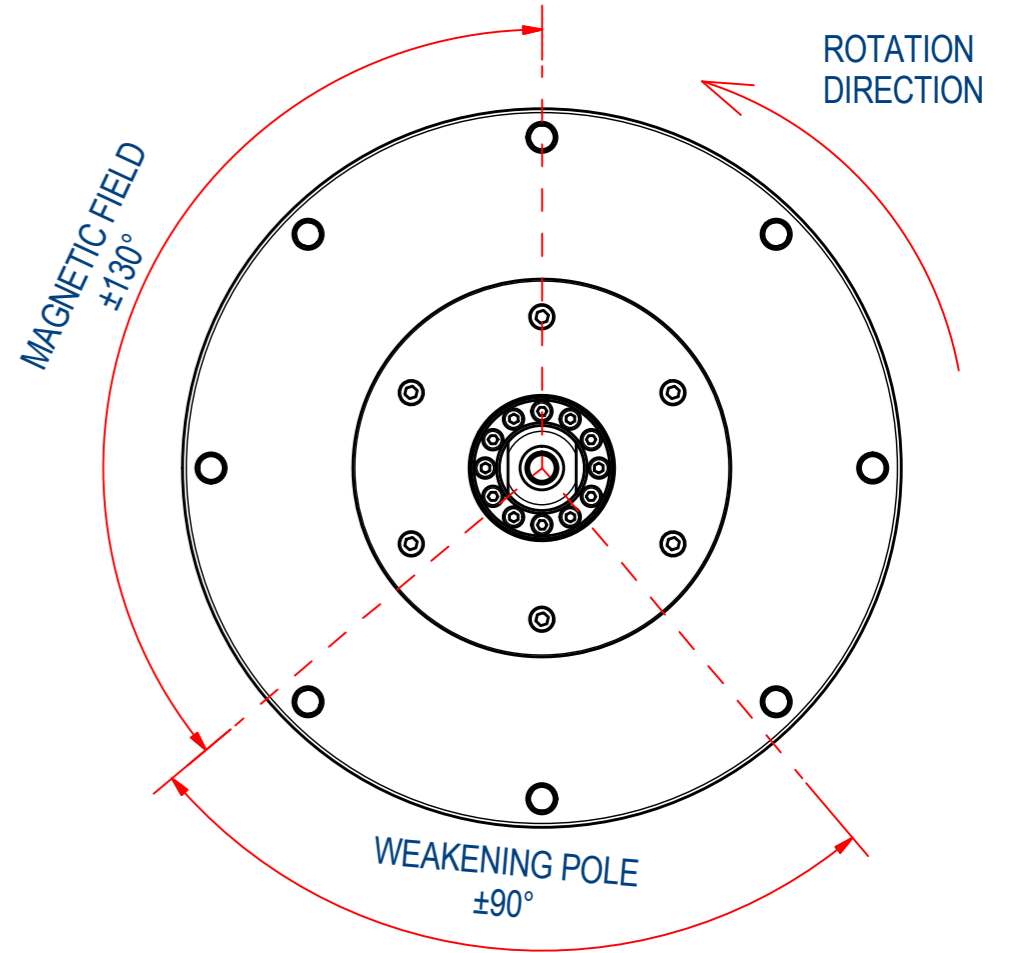
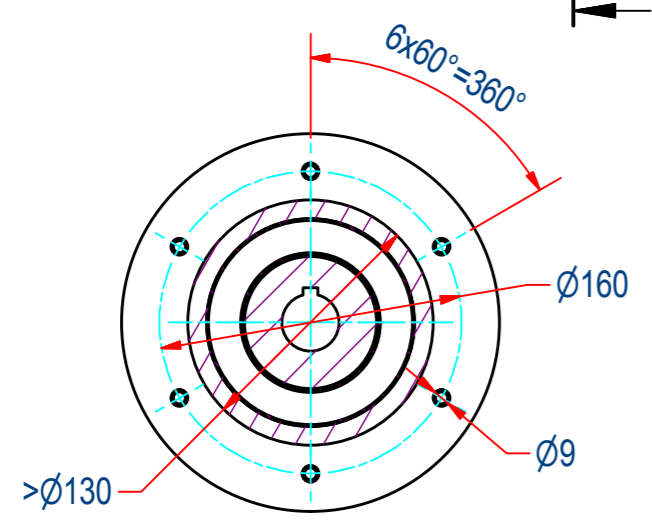
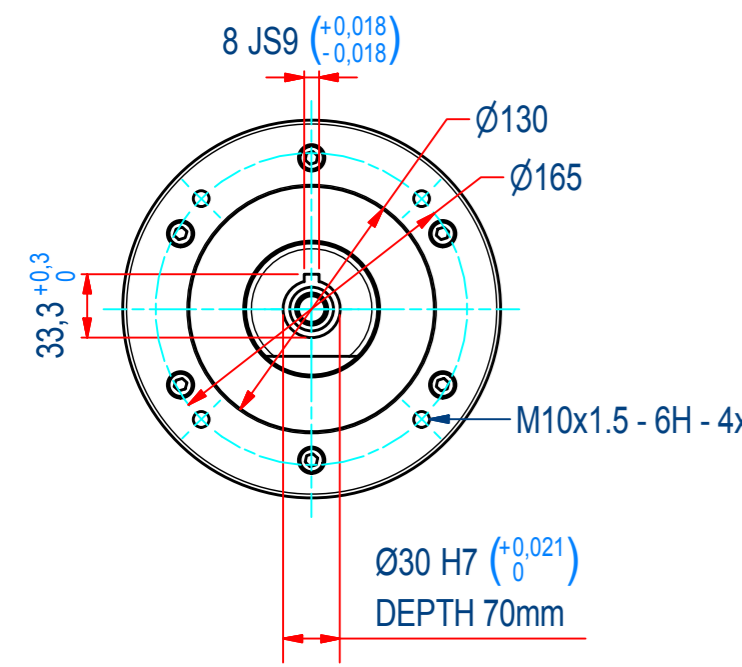
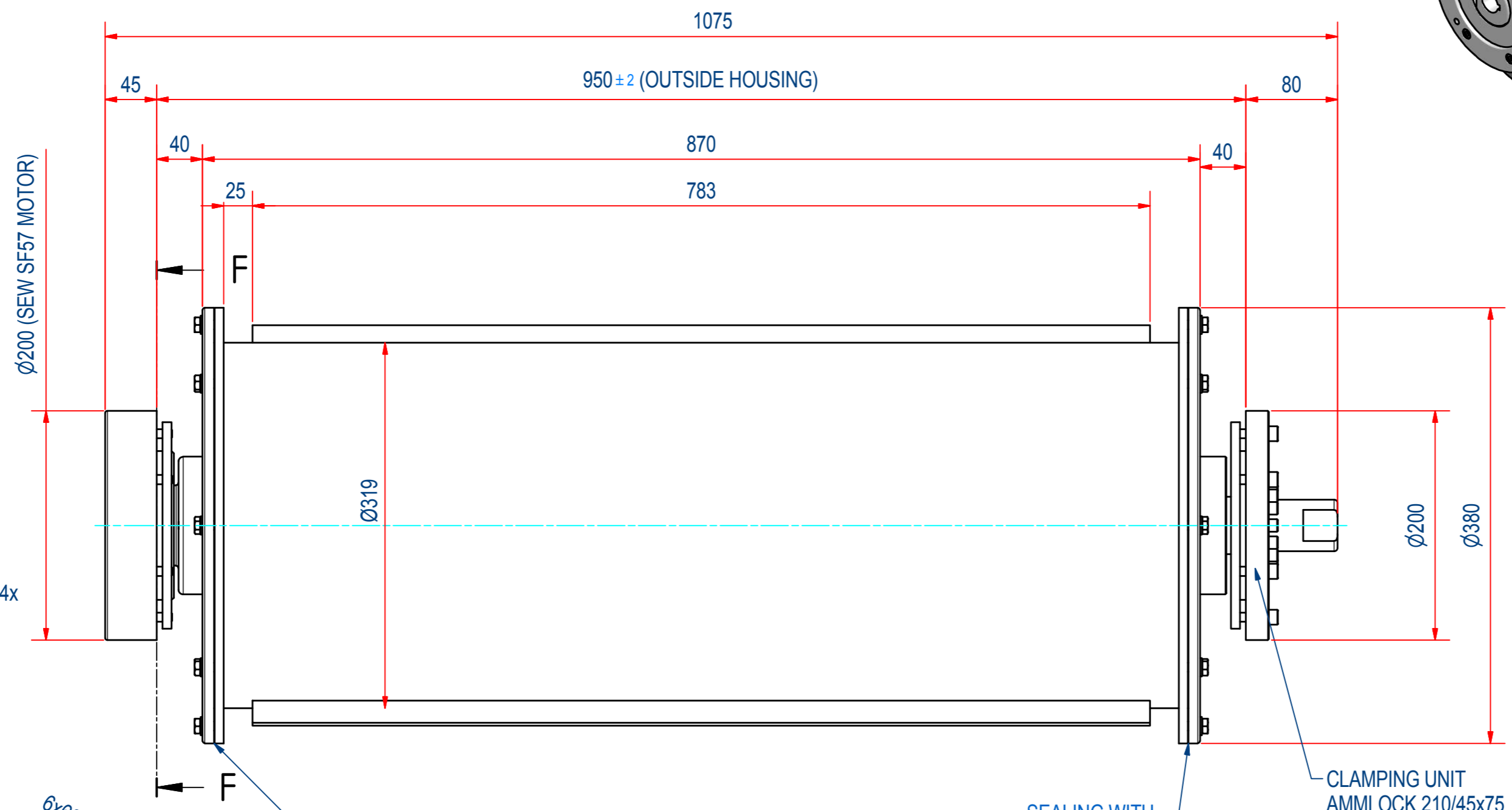


REV	DATE	BY	DESCRIPTION
-	11-12-2014	TD	Reference drawing = E0025957
A	23-9-2015	TD	DESCRIPTION -H- (was -P-)
B	19-10-2016	DD	SHELL AND DIMENSIONS CHANGED, PRODUCT KEY CHANGED



F-F
MOUNTING DETAIL (2x)
HOLE PATTERN COUNTER PART

SEALING WITH SIKAFLEX PF252 (1210.90008)

SEALING WITH SIKAFLEX PF252 (1210.90008)

CLAMPING UNIT AMMLOCK 210/45x75

ITEM	QTY	PART NUMBER	DESCRIPTION	Dimensions
3	1	E0061833	SHELL WITH CLEATS RECD 08	
2	1	E0026108	DR-08-H MAGNET PACK	
1	1	E0011058	DR-00 FLANGE ASSY ALU	

RAW MAT.	QTY	MAT. NUMBER	MAT. DESCRIPTION	LENGTH (mm)	WIDTH (mm)
1	1				

Sheet: A2	Extra info: HIGH GRADIENT	General tolerance: ISO 2768 - cL
Drawn: TD	Weight (kg): 231,6	Drawn according: ISO268; ISO1101; ISO2553
Date: 11-12-2014		Status: Released
Spare part: False		Customer reference number:
Quick search: RMD-08		File number: E0026119
Description: RMD-08-32-RN-H-OR-15S2		Part number: E0026118