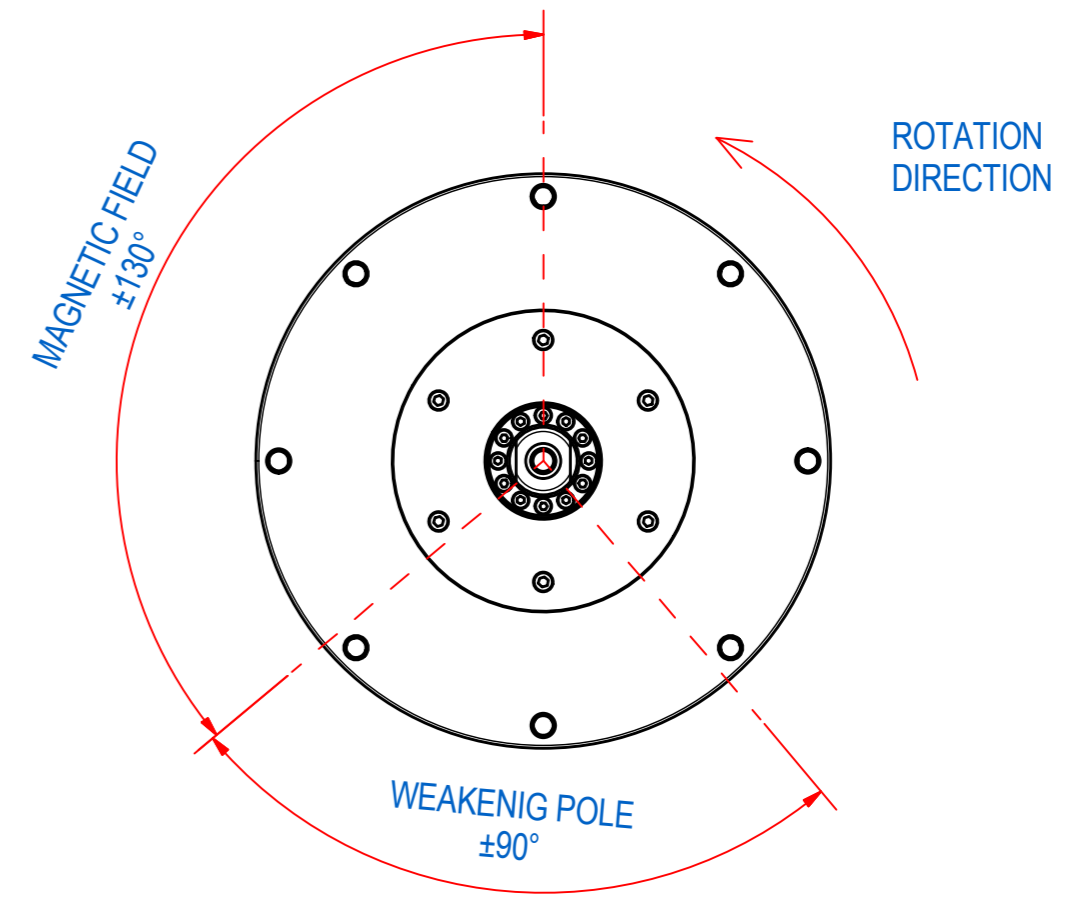
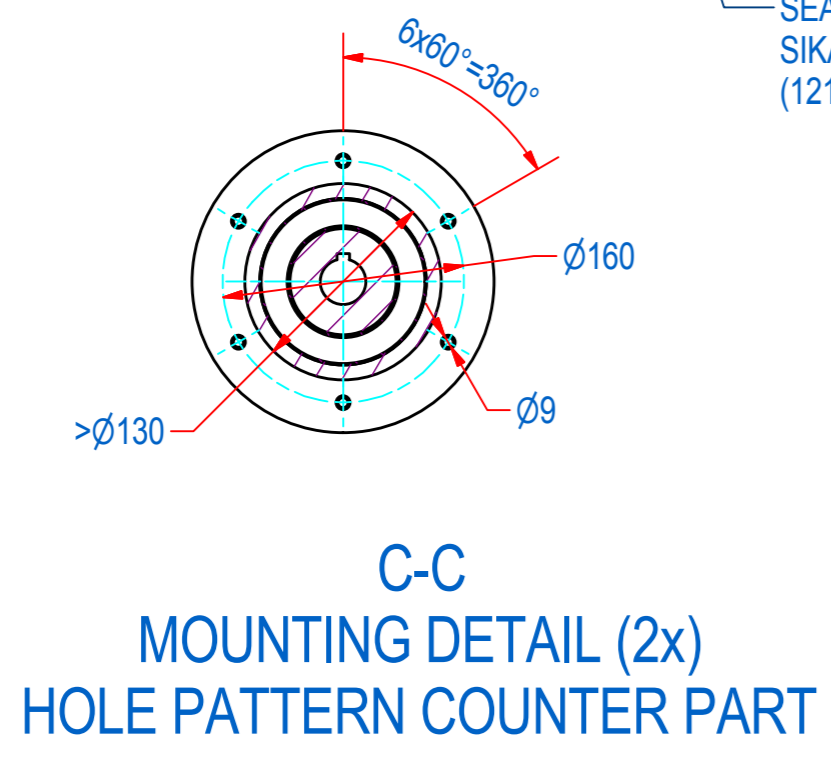
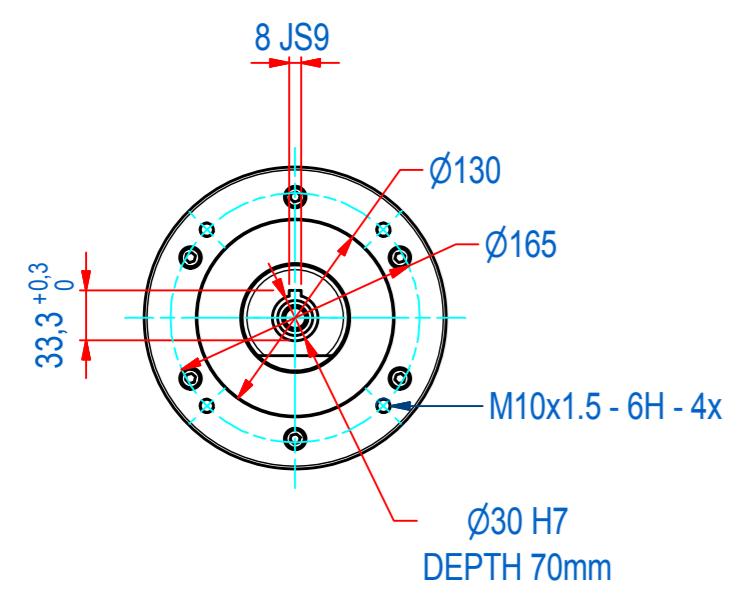
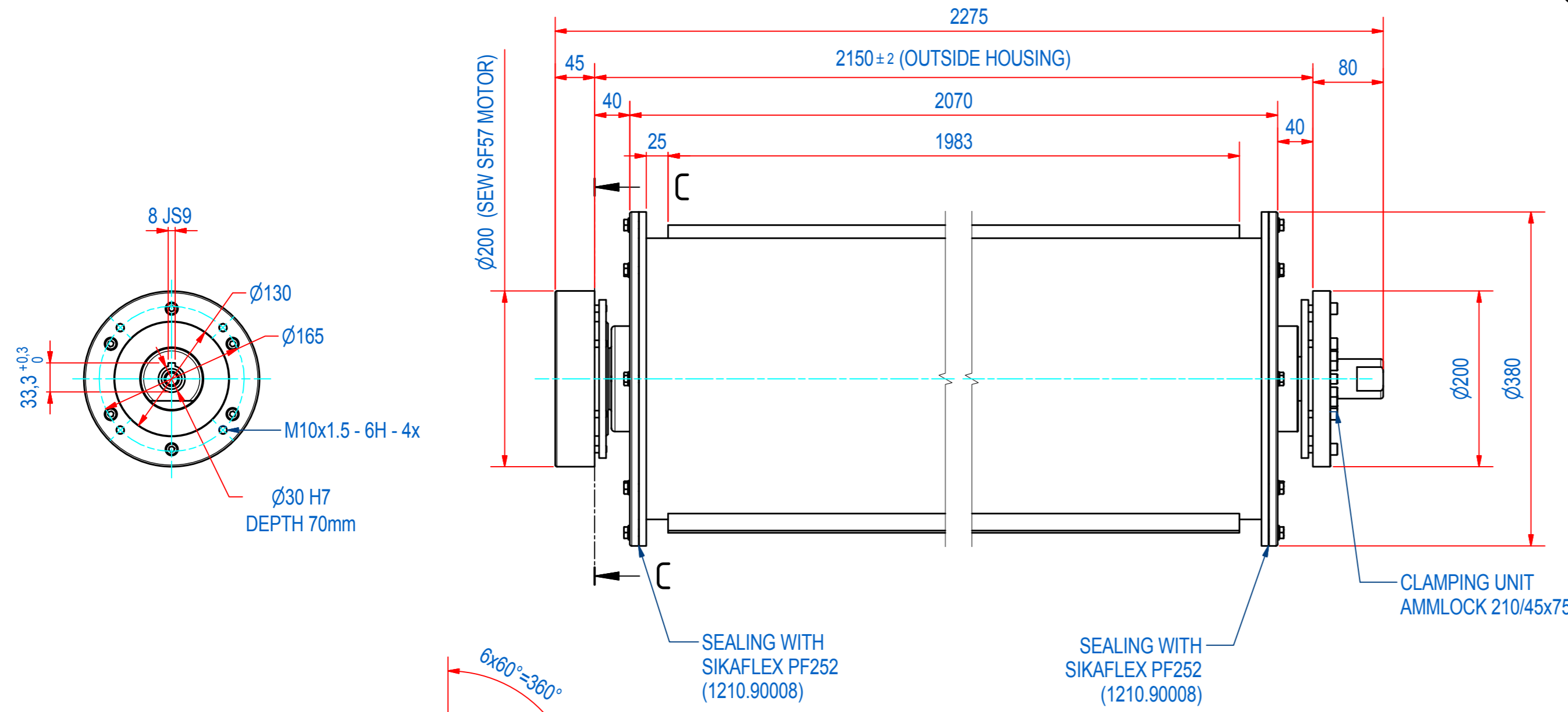
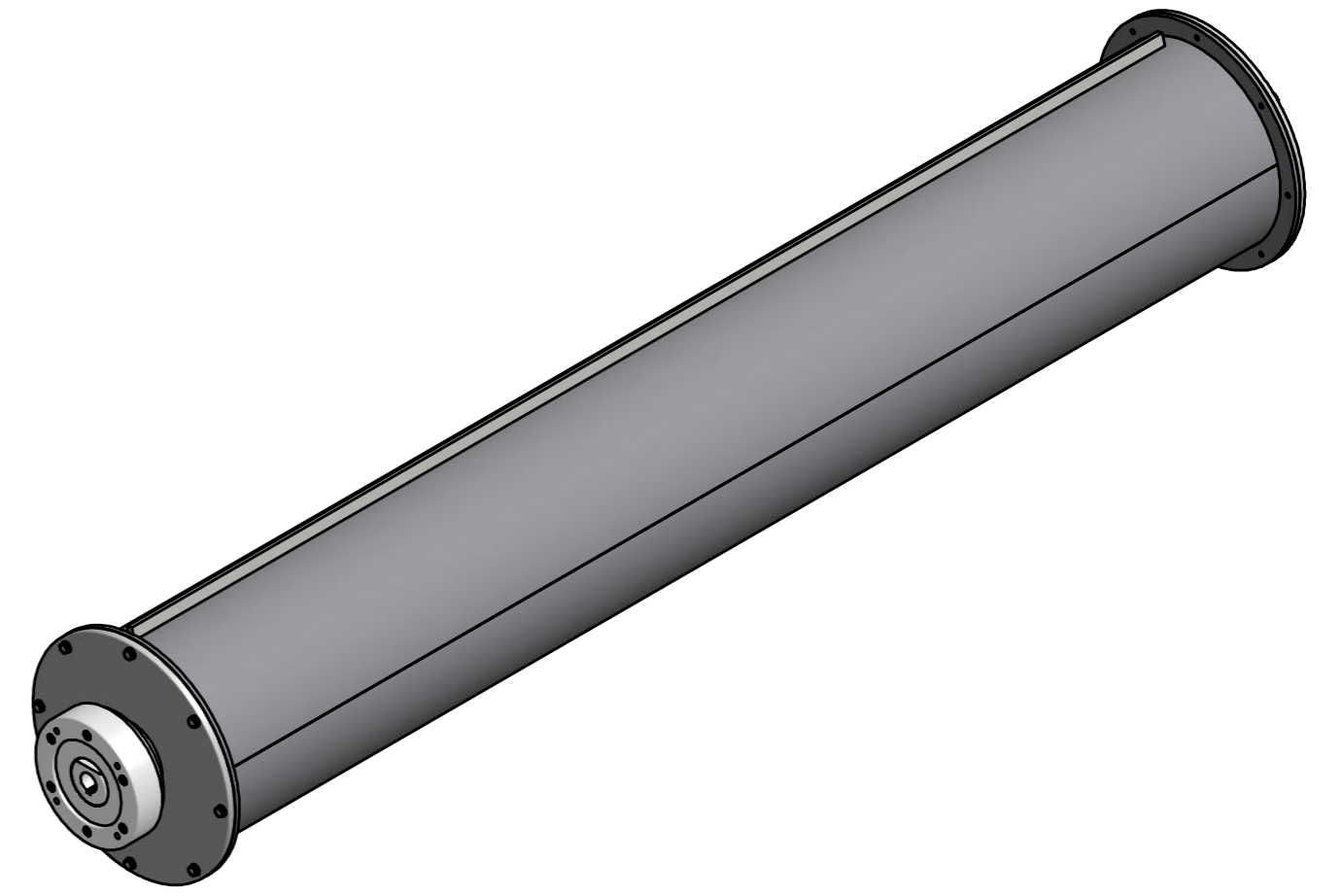


REV	DATE	BY	DESCRIPTION
-	15-12-2014	TD	Reference drawing = E0025965
A	19-10-2016	DD	SHELL CHANGED, PRODUCT KEY CHANGED



ITEM	QTY	PART NUMBER	DESCRIPTION	Dimensions	
3	1	E0062055	SHELL WITH CLEAT 2000/2		
2	1	E0026174	DR-20-H MAGNET PACK		
1	1	E0011058	DR-00 FLANGE ASSY ALU		
RAW MAT.	QTY	MAT. NUMBER	MAT. DESCRIPTION	LENGTH (mm)	WIDTH (mm)
⊕	1				
Sheet:	A2	Extra info:	HIGH GRADIENT	General tolerance:	ISO 2768 - mK
Drawn:	TD	Weight (kg):	520,2	Drawn according:	ISO268; ISO1101; ISO2553
Date:	15-12-2014			Status:	Released
Spare part:	False			Customer reference number:	
Quick search:	RMD-20	<small>© All rights reserved. Reproduction is not permitted without written permission of GOUDSMIT Magnetic Systems BV</small>		File number:	E0026239
Description:	RMD-20-32-RN-H-OR-20S2			Part number:	E0026240