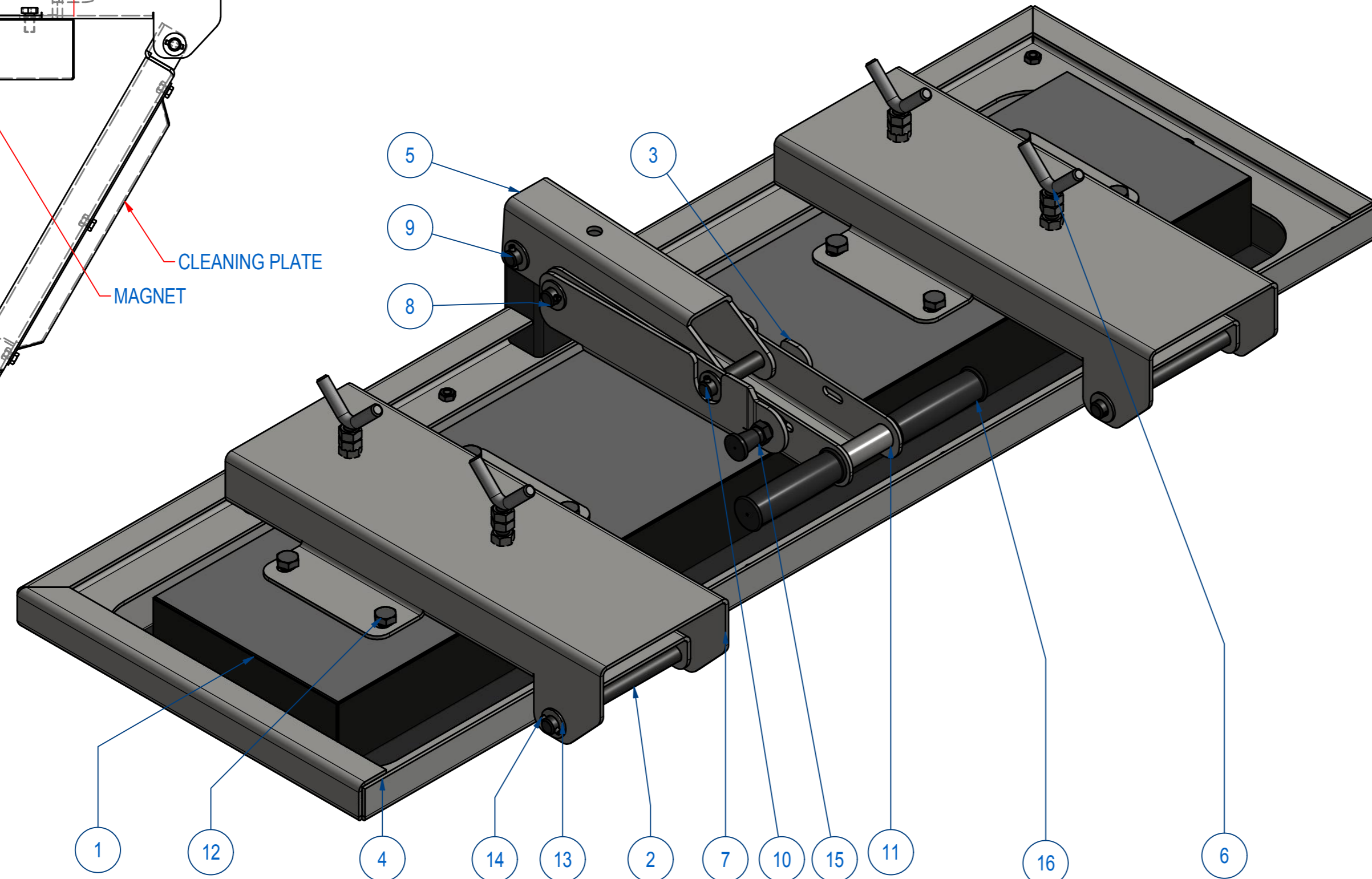
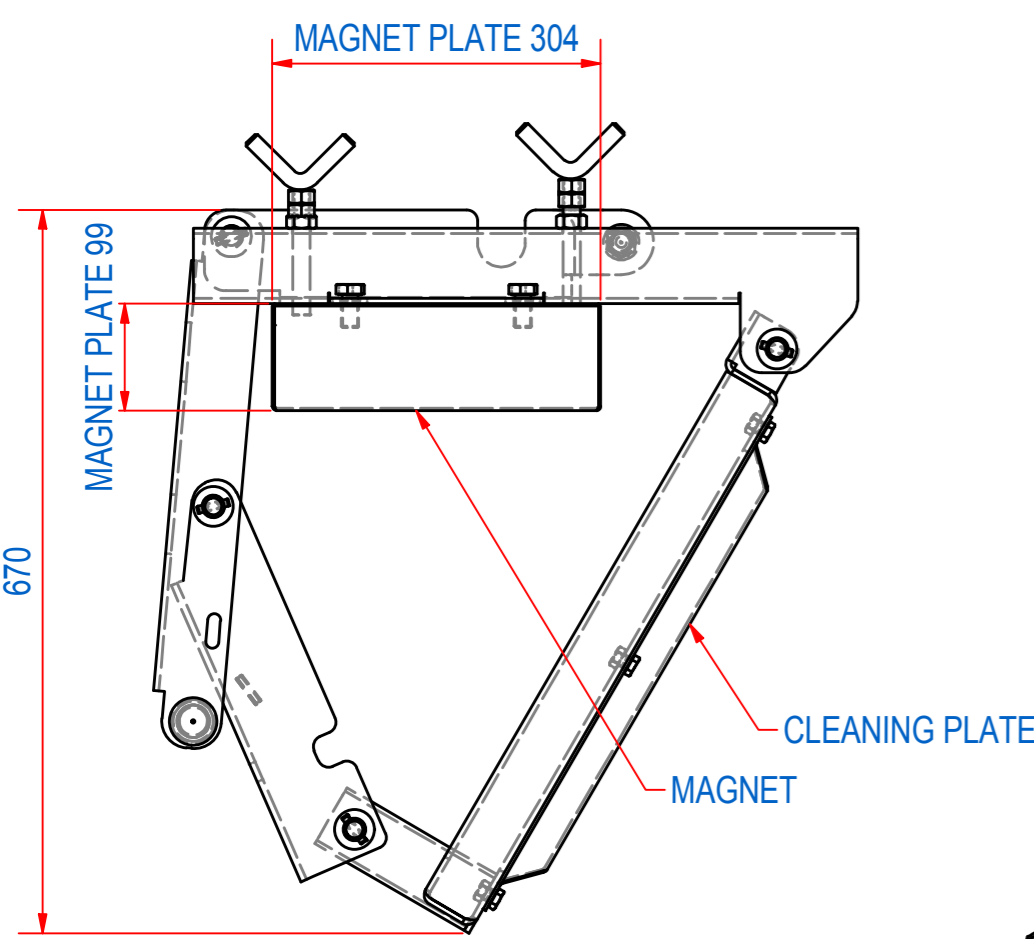
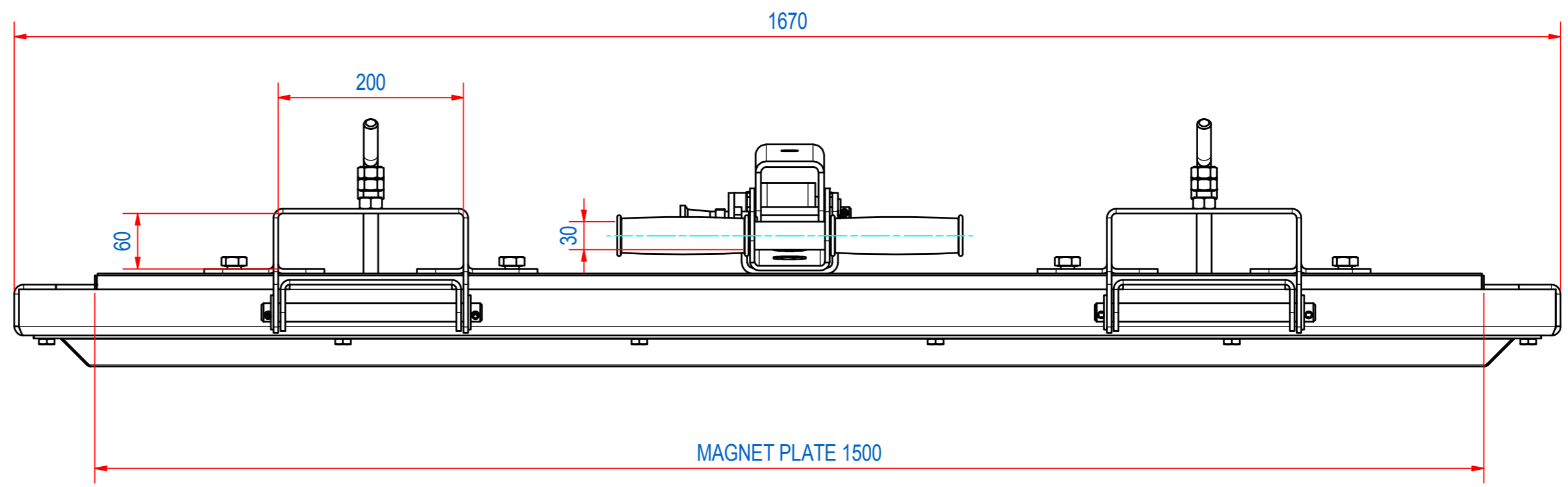
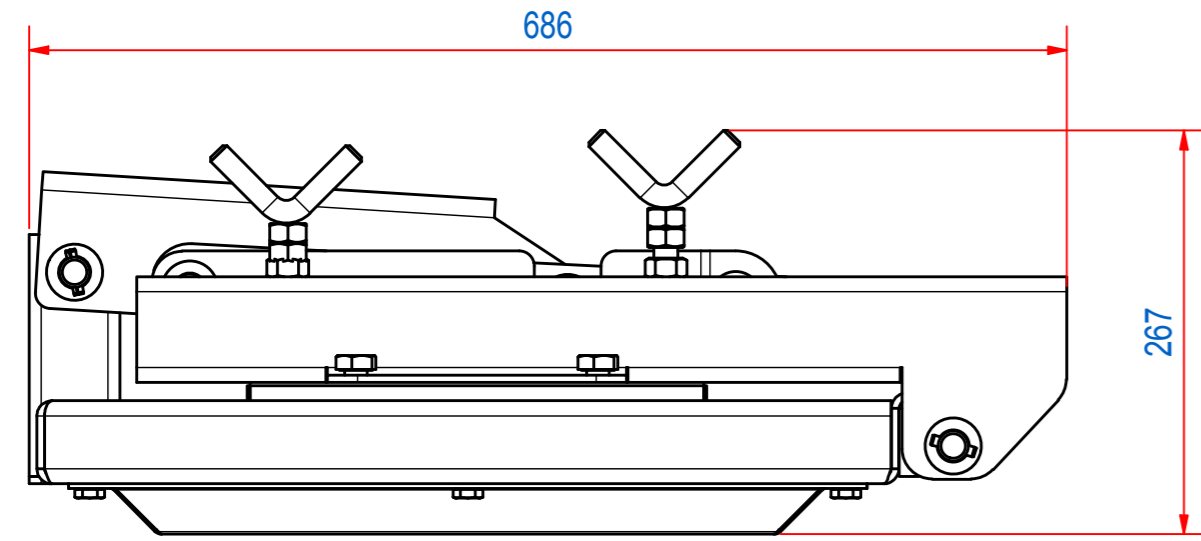


DOC.NR.	REV	DATE	BY	DESCRIPTION
E0057844	A	18-7-2016	TD	ORIGINAL DRAWING
E0057844	B	18-6-2019	CR	1005.90003 ADDED



ITEM	QTY	PART NUMBER	DESCRIPTION	Dimensions
16	2	1005.10035	HANDLE WHEELBARROW Ø30	
15	1	1005.90003	INDEXING PLUNGER D10 M20x1,5SS	
14	8	72.9900001	PIN, S SLOTTED 6 x 30 - A2	6 x 30
13	10	70.0200020	WASHER M 20- A2	M 20
12	10	50.1116030	BOLT, HEX M16x30 - St8.8 Zn	M16x30
11	1	E0057812	BRACKET WELDED	
10	1	E0057791	AXLE	
9	1	E0057800	AXLE	
8	1	E0057802	AXLE	
7	2	E0057788	ARM SWEEPER	
6	4	A120505	TOGGLE M16 304L	
5	1	E0057484	BRACKET	
4	1	E0057479	FRAME SWEEPER	
3	1	E0057461	BRACKET	
2	3	E0057433	AXLE	
1	1	E0057409	SVMZ-F-304x99-1500-B-F0E	

RAW MAT.	Quantity	Material Number	Material Description	Length (mm)	Width (mm)
⊕	1				

Sheet: A2	Extra info:	General tolerance: ISO 2768 - mK
Drawn: CR	Weight (kg): 305,3	Drawn according: ISO268; ISO1101; ISO2553
Date: 17-6-2019		Status: Standard
Spare part: False	Source:	Customer reference number:
Quick search:	GOUDSMIT MAGNETICS	
Description: SVMZ-N-304x99-1500-Z-F1M	© All rights reserved. Reproduction is not permitted without written permission of GOUDSMIT Magnetic Systems BV	
	Document number: E0057844	Doc.Rev: B
	Part number: E0057845	Rev: B