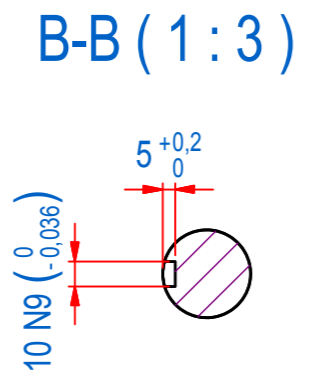
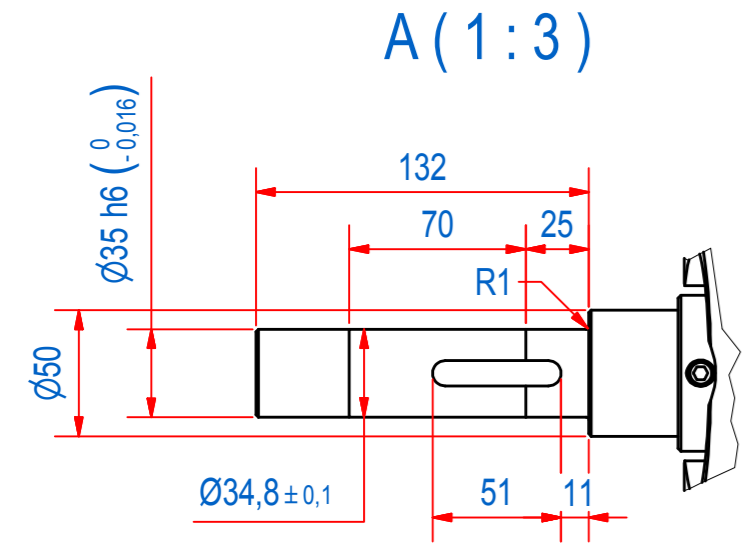
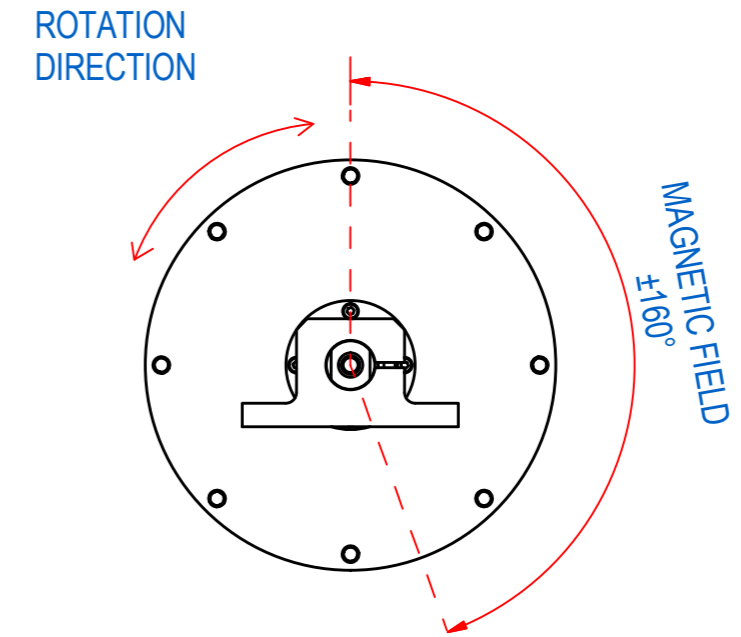
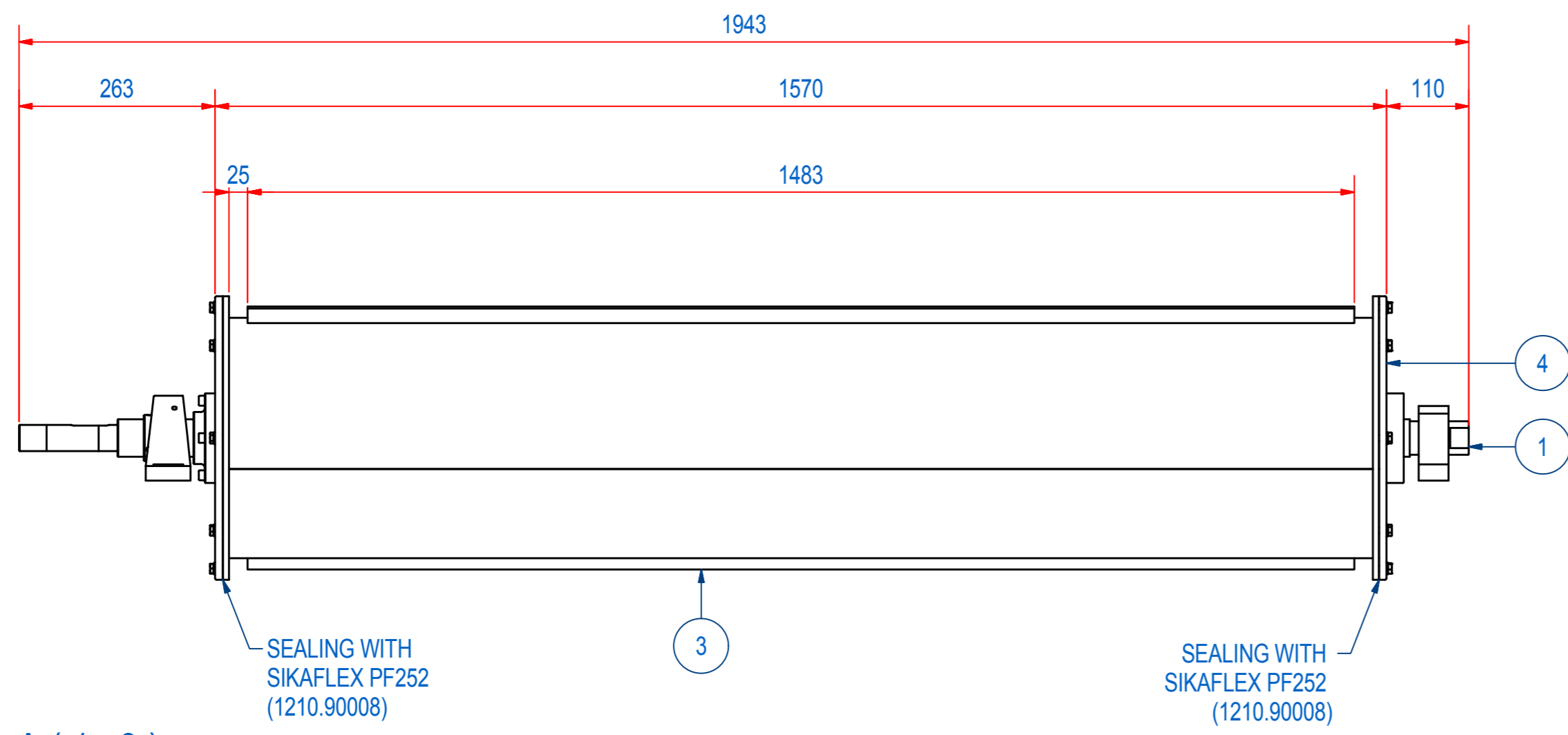
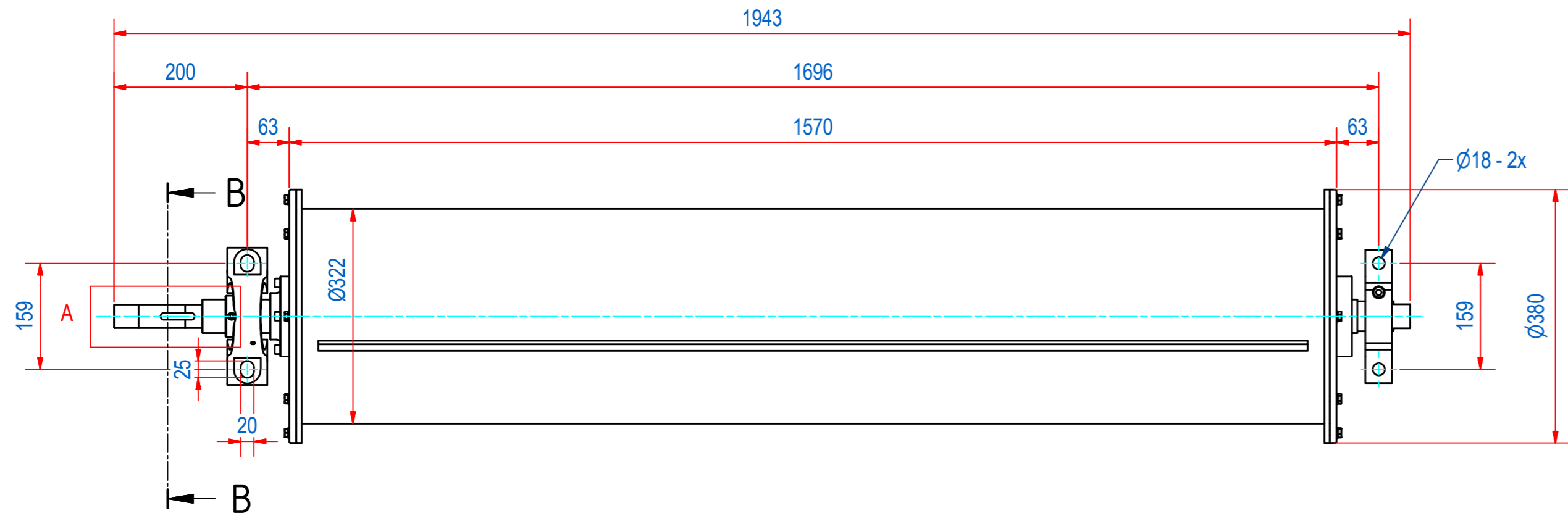


3	DOC.NR.	2	DESCRIPTION
E0061174	REV	DD	ORIGINAL DRAWING
	DATE		
	BY		



ITEM	QTY	PART NUMBER	DESCRIPTION	Dimensions
4	1	E0061072	DR-00 FLANGE WITH AXLE ASSY	
3	1	E0049003	SHELL WITH CLEATS RECD 15	
2	1	E0025985	DR-15-F DRUM ASSY	
1	1	E0017827	DR-15 AXLE ST	

RAW MAT.	Quantity	Material Number	Material Description	Length (mm)	Width (mm)
1					

Sheet:	A2	Extra info:	General tolerance:	ISO 2768 - mK	
Drawn:	DD	Weight (kg):	194	Drawn according:	ISO268; ISO1101; ISO2553
Date:	29-9-2016			Status:	Released
Spare part:	False			Customer reference number:	
Quick search:	RMD-15			Document number:	E0061174
Description:	RMD-15-32-RS-F-OR-30S2			Part number:	E0061173
				Doc.Rev:	
				Rev:	