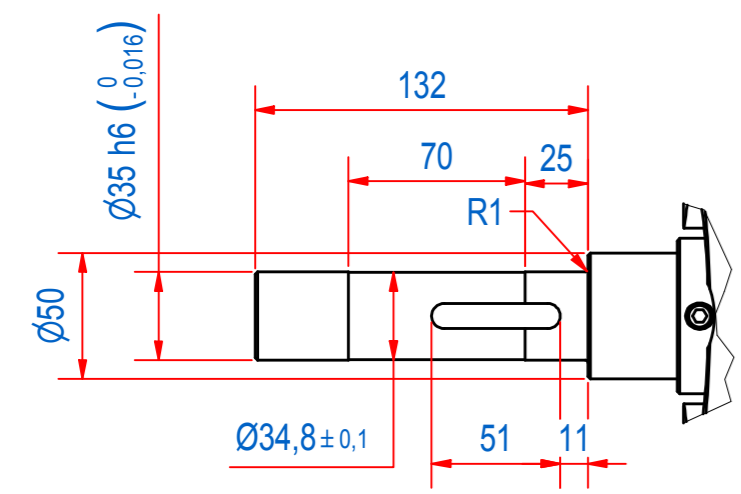
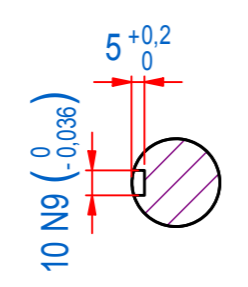


A (1:3)



B-B (1:3)



ITEM	QTY	PART NUMBER	DESCRIPTION	Dimensions
4	1	E0061072	DR-00 FLANGE WITH AXLE ASSY	
3	1	E0060455	SHELL WITH CLEATS RECD 15	
2	1	E0019907	DR-20-B DRUM ASSY	
1	1	E0017826	DR-20 AXLE ST	

RAW MAT.	Quantity	Material Number	Material Description	Length (mm)	Width (mm)
	1				

Sheet:	A2	Extra info:	General tolerance:	ISO 2768 - mK	
Drawn:	TT	Weight (kg):	Drawn according:	ISO268; ISO1101; ISO2553	
		314,5	Status:	Released	
Date:	29-4-2019		Customer reference number:		
Spare part:	False		Document number:	E0061183	
Quick search:	RMD-20		Doc.Rev:		
Description:	RMD-20-32-RS-F-OR-30S2			Part number:	E0061182
			Rev:		