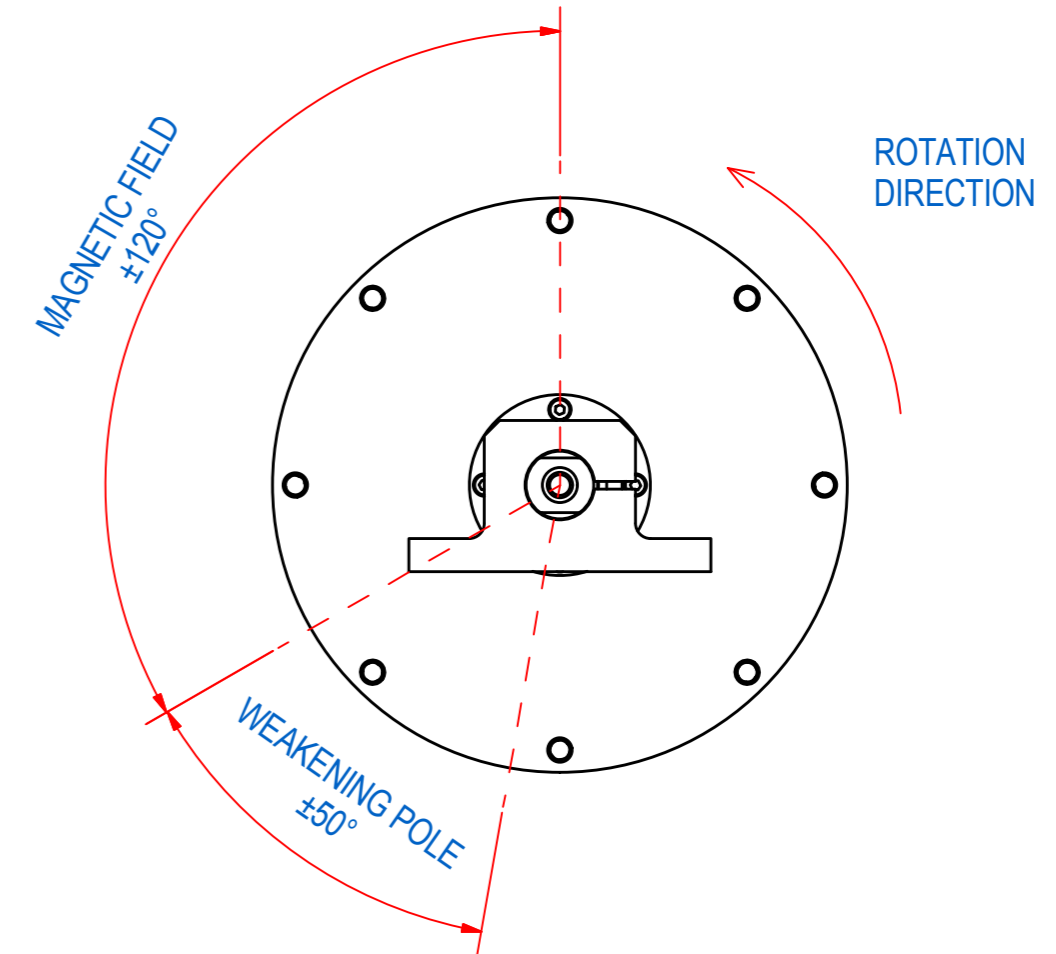
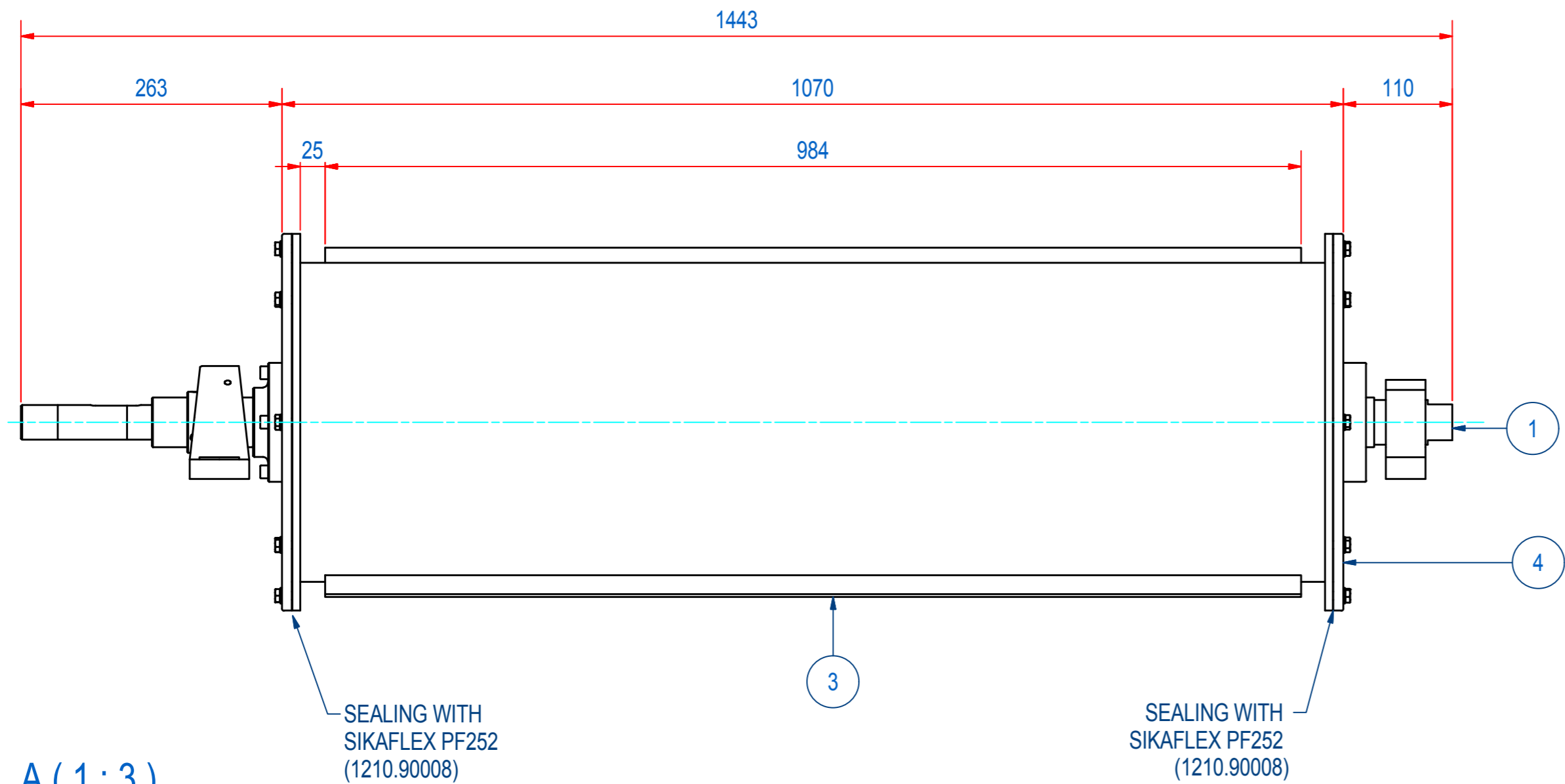
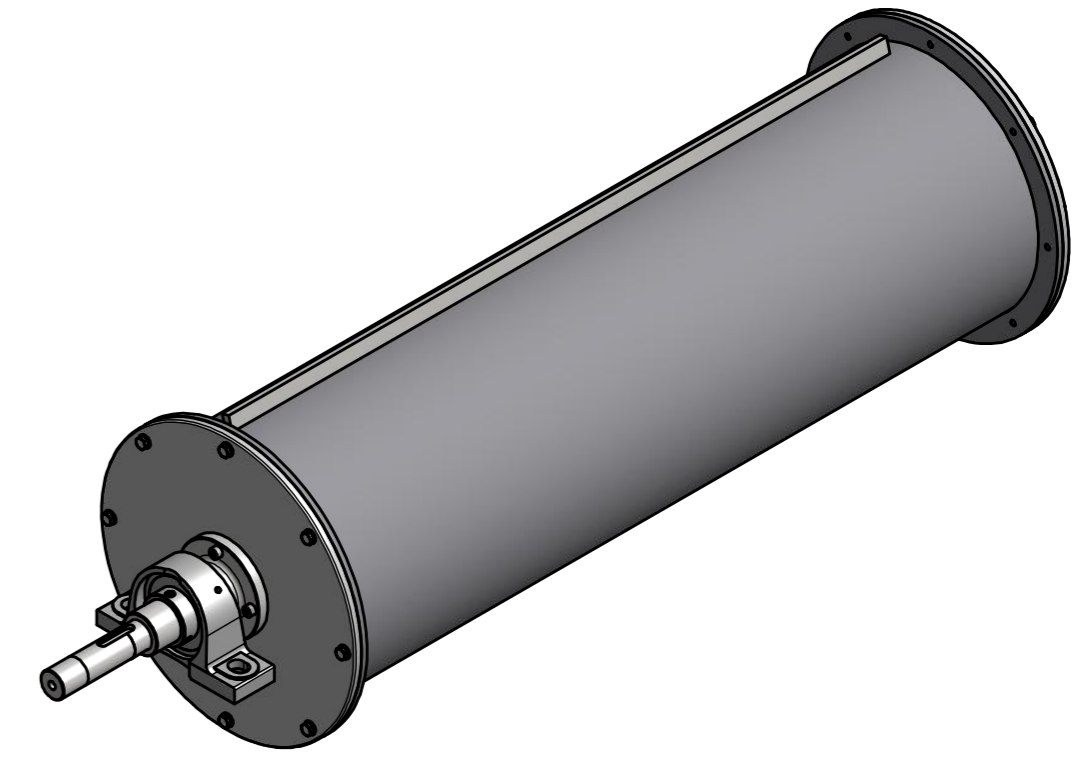
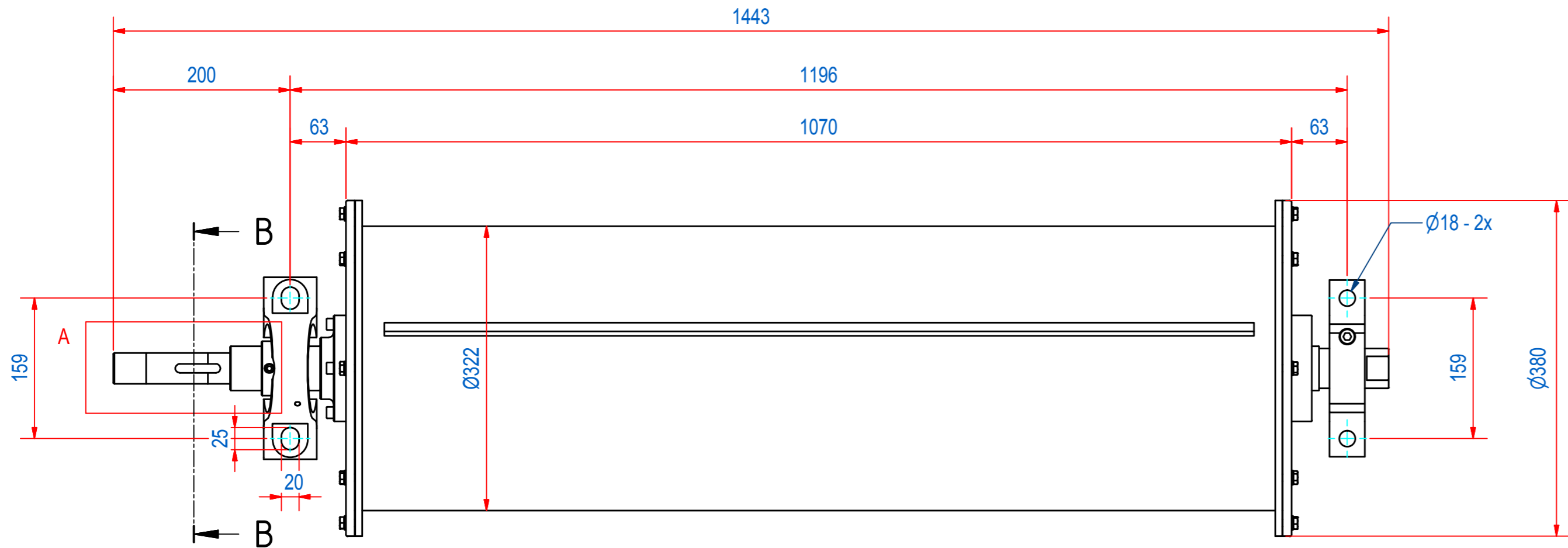
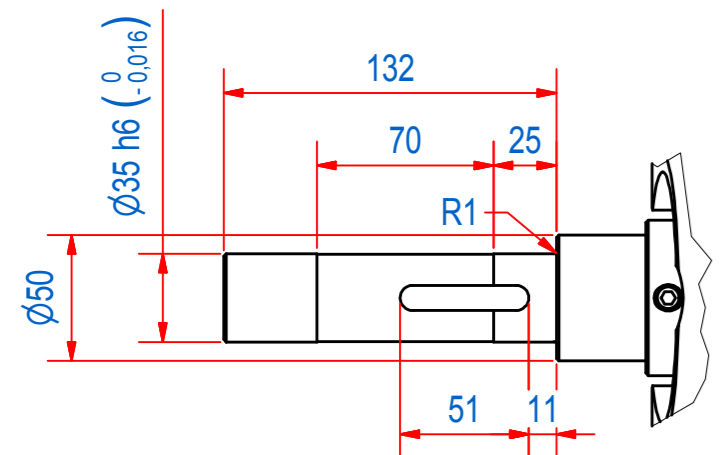


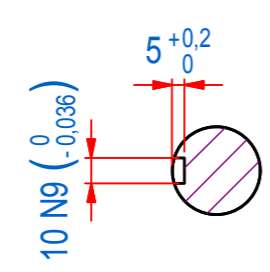
3	DOC.NR.	REV	DATE	BY	2	DESCRIPTION
E0061217	-	30-9-2016	DD			ORIGINAL DRAWING



A (1:3)



B-B (1:3)



ITEM	QTY	PART NUMBER	DESCRIPTION	Dimensions
4	1	E0061072	DR-00 FLANGE WITH AXLE ASSY	
3	1	E0041311	SHELL WITH CLEATS	
2	1	E0019879	DR-10-B DRUM ASSY	
1	1	E0017824	DR-10 AXLE ST	

RAW MAT.	Quantity	Material Number	Material Description	Length (mm)	Width (mm)
Sheet:	A2	Extra info:	General tolerance:	ISO 2768 - mK	
Drawn:	DD	Weight (kg):	169,5	Drawn according:	
Date:	30-9-2016	Goudsmit MAGNETIC SYSTEMS		Status:	
Spare part:	False	© All rights reserved. Reproduction is not permitted without written permission of GOUDSMIT Magnetic Systems BV		Released	
Quick search:	RMD-10	Description:		Customer reference number:	
				E0061217	
				Document number:	
				E0061217	
				Doc.Rev:	
				-	
				Part number:	
				E0061211	
				Rev:	
				-	

RMD-10-32-RS-B-OR-30S2

E0061211