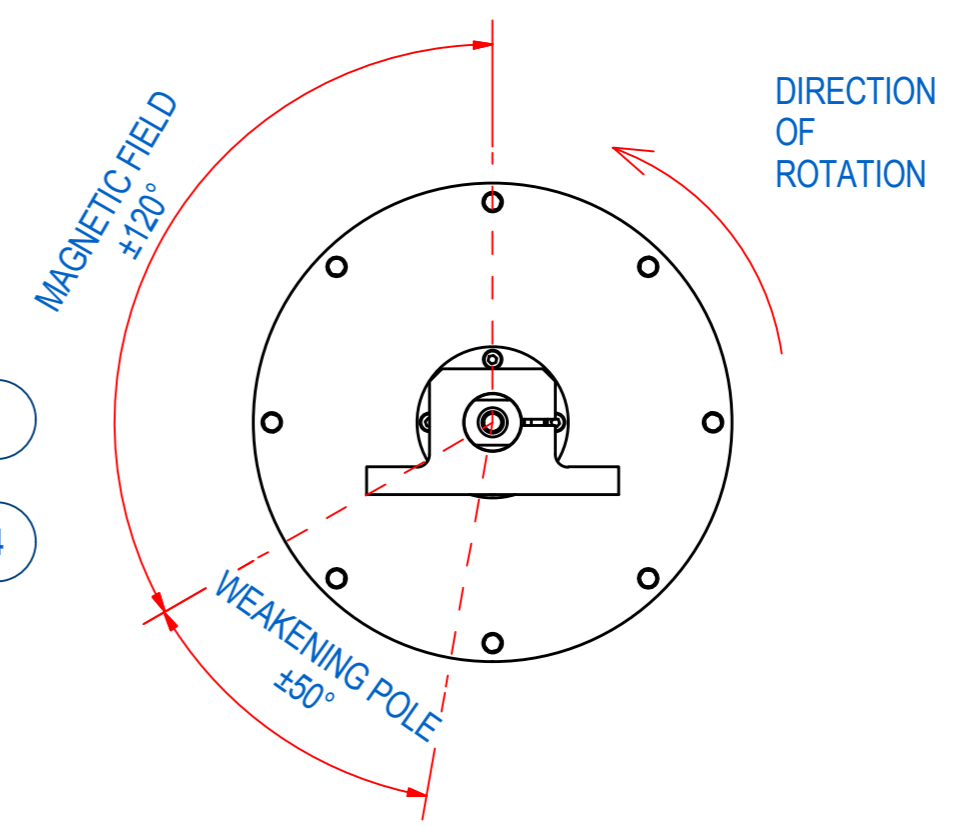
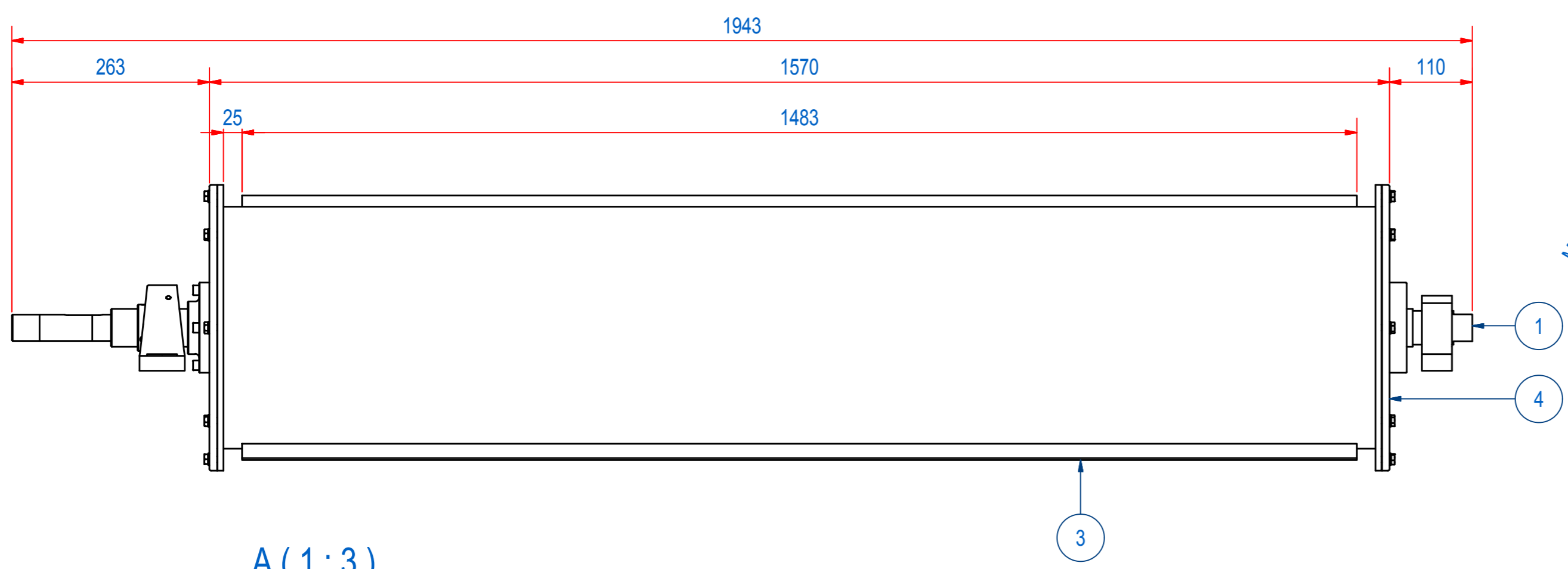
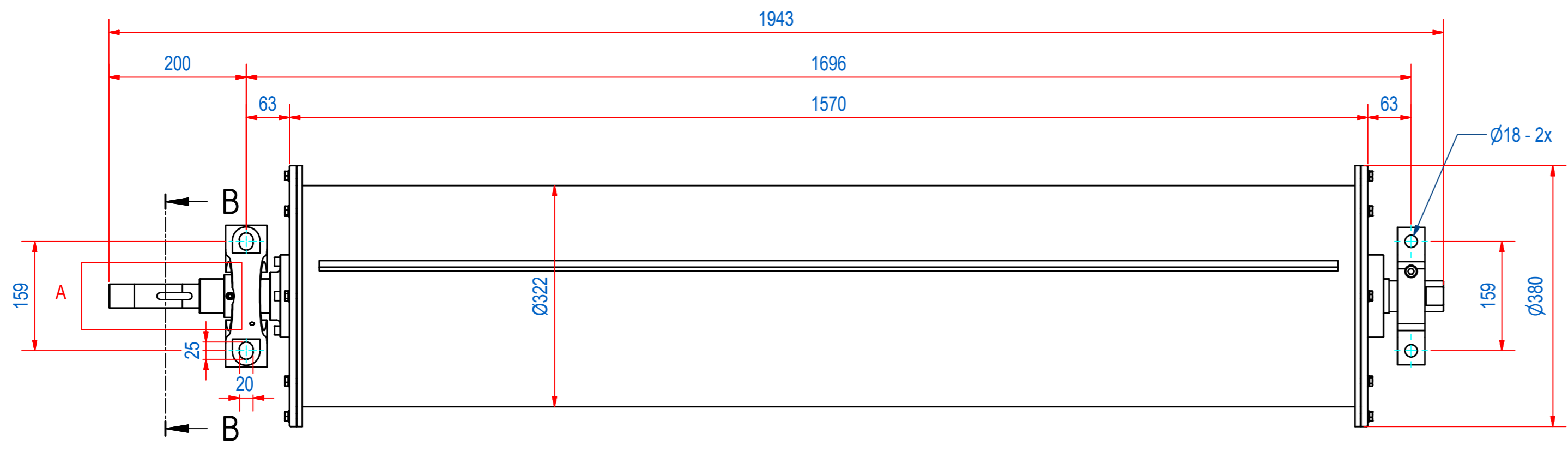
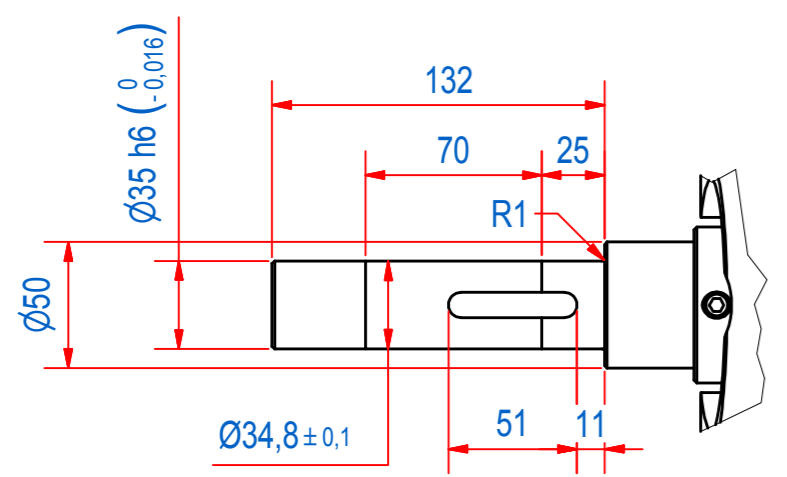


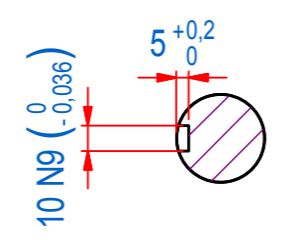
3	2	1	DESCRIPTION	
DOC.NR.	REV	DATE	BY	DD
E0061220	-	30-9-2016	DD	
ORIGINAL DRAWING				



A (1:3)



B-B (1:3)



ITEM	QTY	PART NUMBER	DESCRIPTION	Dimensions
4	1	E0061072	DR-00 FLANGE WITH AXLE ASSY	
3	1	E0049003	SHELL WITH CLEATS RECD 15	
2	1	E0019900	DR-15-B DRUM ASSY	
1	1	E0017827	DR-15 AXLE ST	

RAW MAT.	Quantity	Material Number	Material Description	Length (mm)	Width (mm)
	1				

Sheet:	A2	Extra info:	General tolerance:	ISO 2768 - mK	
Drawn:	DD	Weight (kg):	237,4	Drawn according:	ISO268; ISO1101; ISO2553
Date:	30-9-2016	Status:	Released	Customer reference number:	
Spare part:	False	Document number:	E0061220	Doc.Rev:	
Quick search:	RMD-15	Description:	RMD-15-32-RS-B-OR-30S2	Part number:	E0061218
		© All rights reserved. Reproduction is not permitted without written permission of GOUDSMIT Magnetic Systems BV		Rev:	