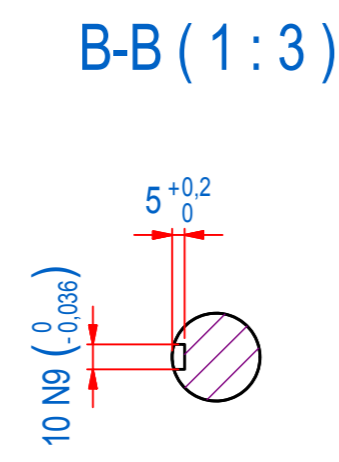
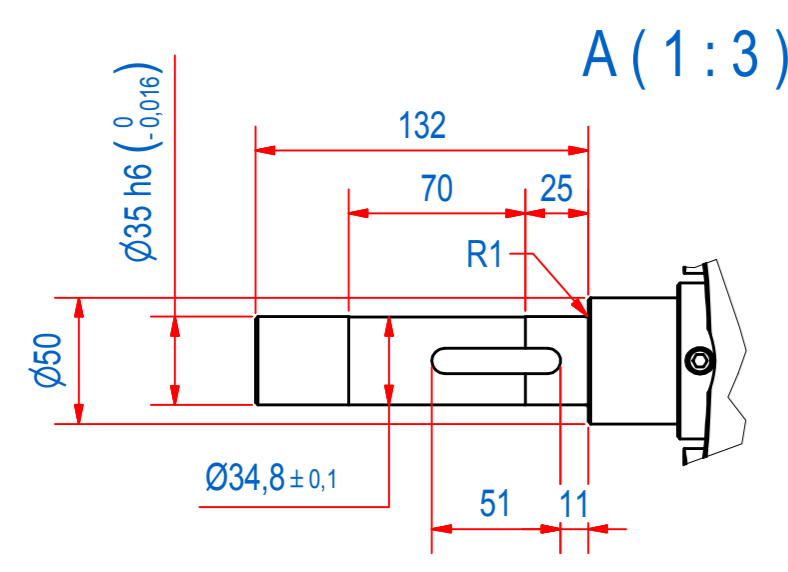
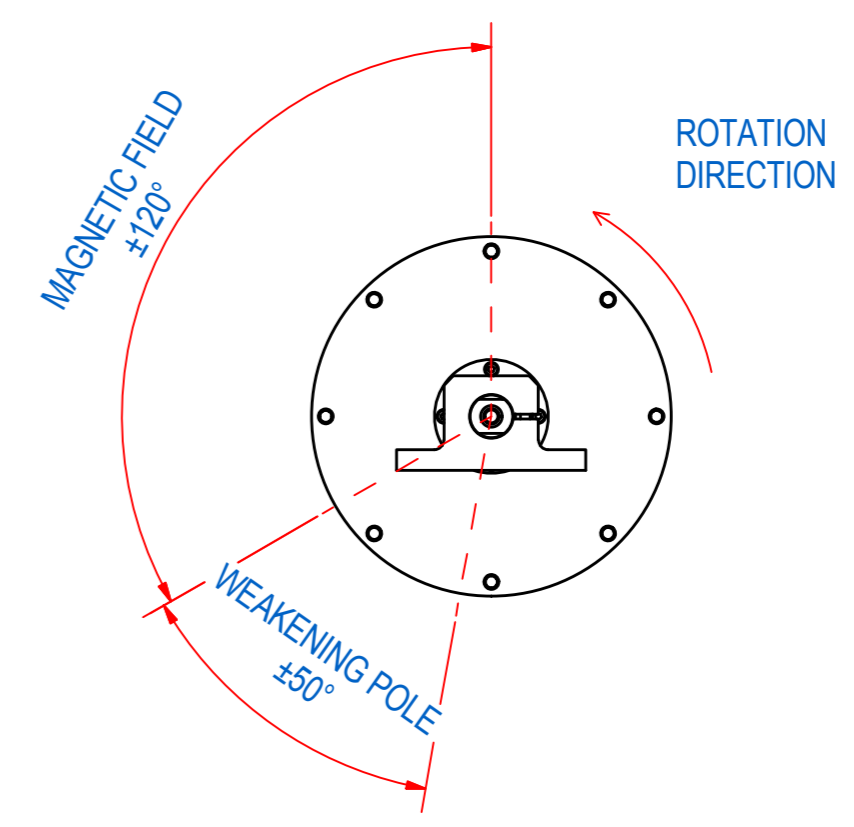
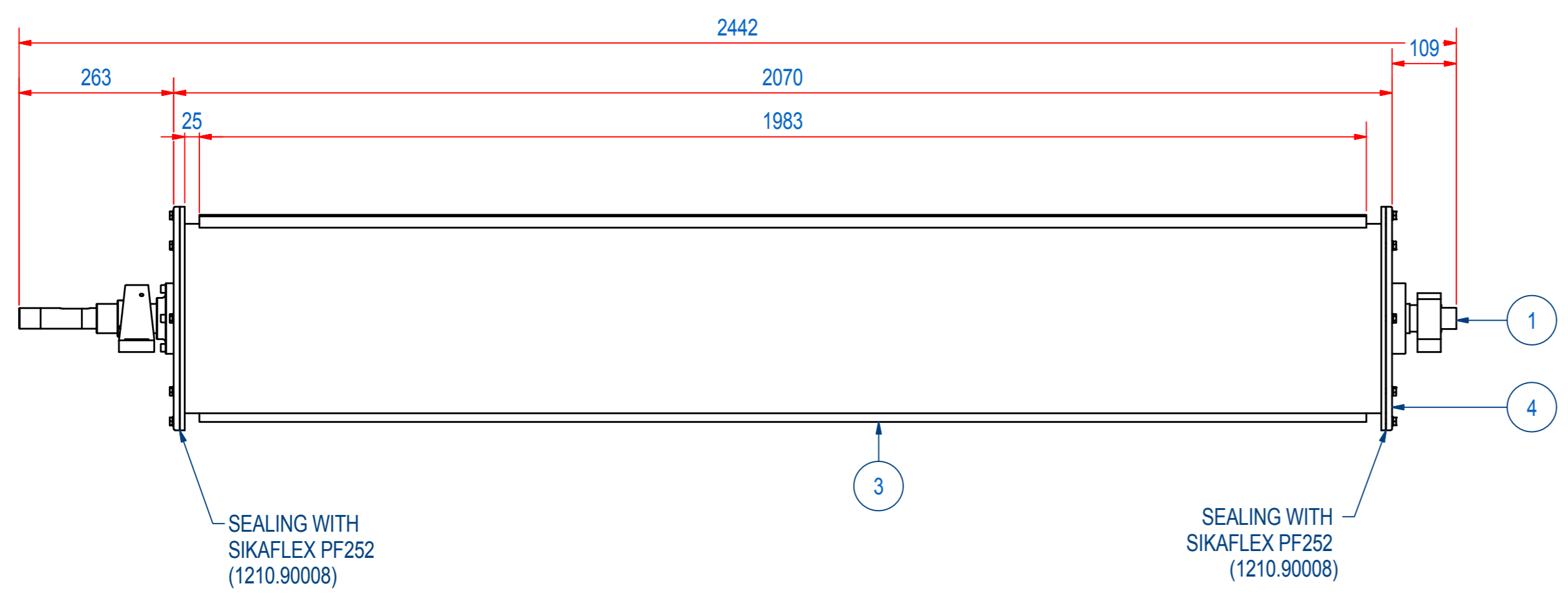
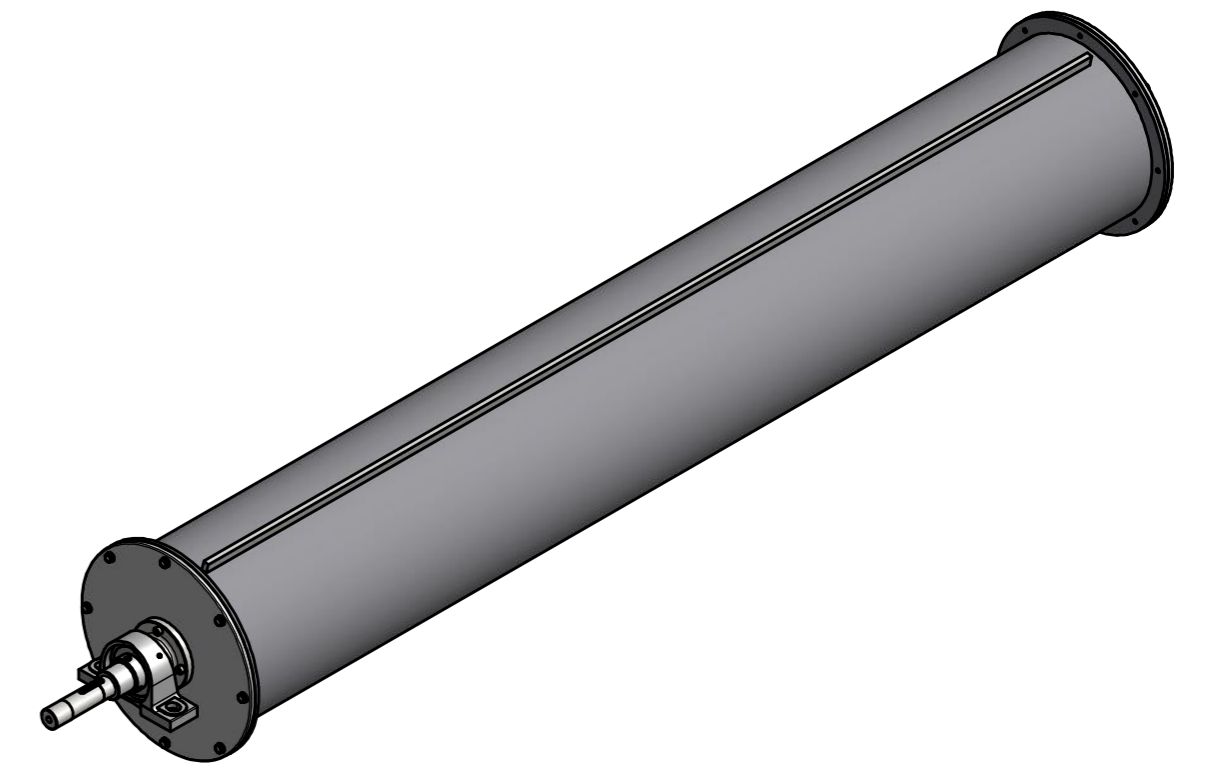
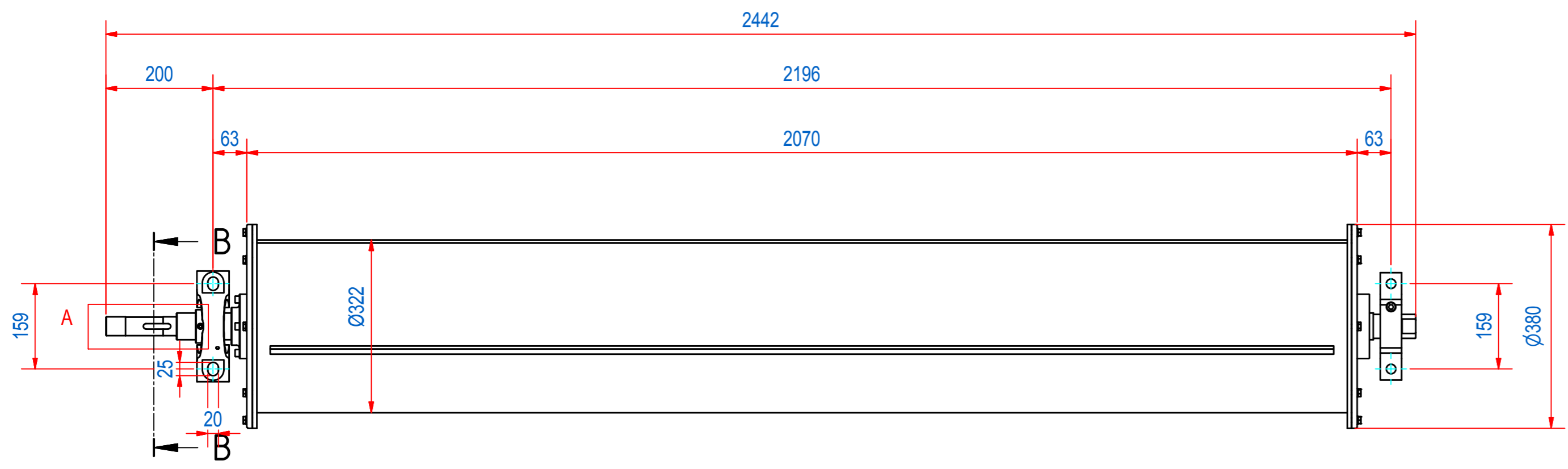


DOC.NR.	REV	DATE	BY	DESCRIPTION
E0061250	-	30-9-2016	DD	ORIGINAL DRAWING



ITEM	QTY	PART NUMBER	DESCRIPTION	Dimensions
4	1	E0061072	DR-00 FLANGE WITH AXLE ASSY	
3	1	E0060455	SHELL WITH CLEATS RECD 15	
2	1	E0019907	DR-20-B DRUM ASSY	
1	1	E0017826	DR-20 AXLE ST	

RAW MAT.	Quantity	Material Number	Material Description	Length (mm)	Width (mm)
	1				

Sheet:	A2	Extra info:	General tolerance:	ISO 2768 - mK	
Drawn:	DD	Weight (kg):	311	Drawn according:	ISO268; ISO1101; ISO2553
Date:	30-9-2016	Status:	Released	Customer reference number:	
Spare part:	False	Document number:	E0061250	Doc.Rev:	
Quick search:	RMD-20	Description:	RMD-20-32-RS-B-OR-30S2	Part number:	E0061241
				Rev:	