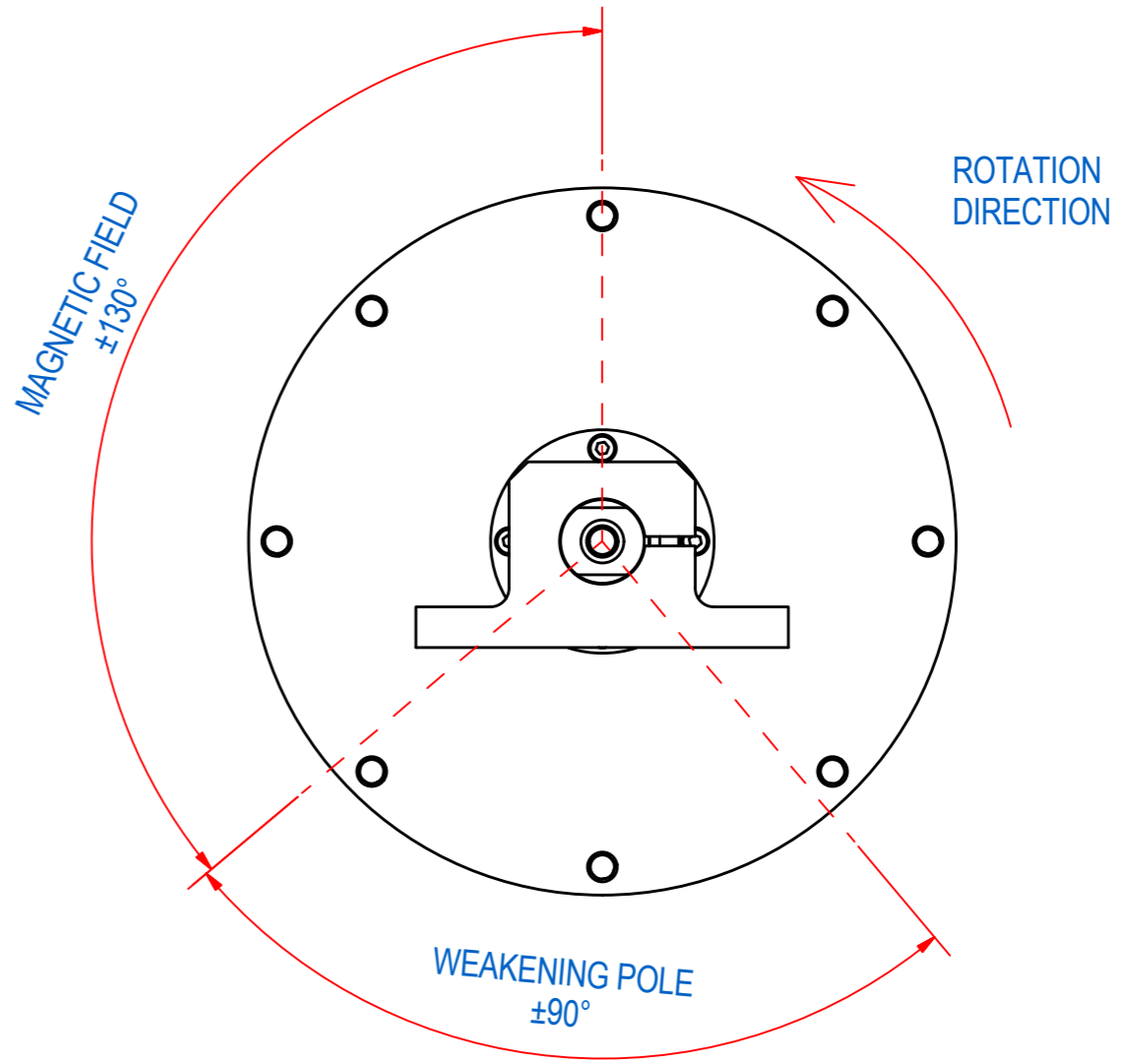
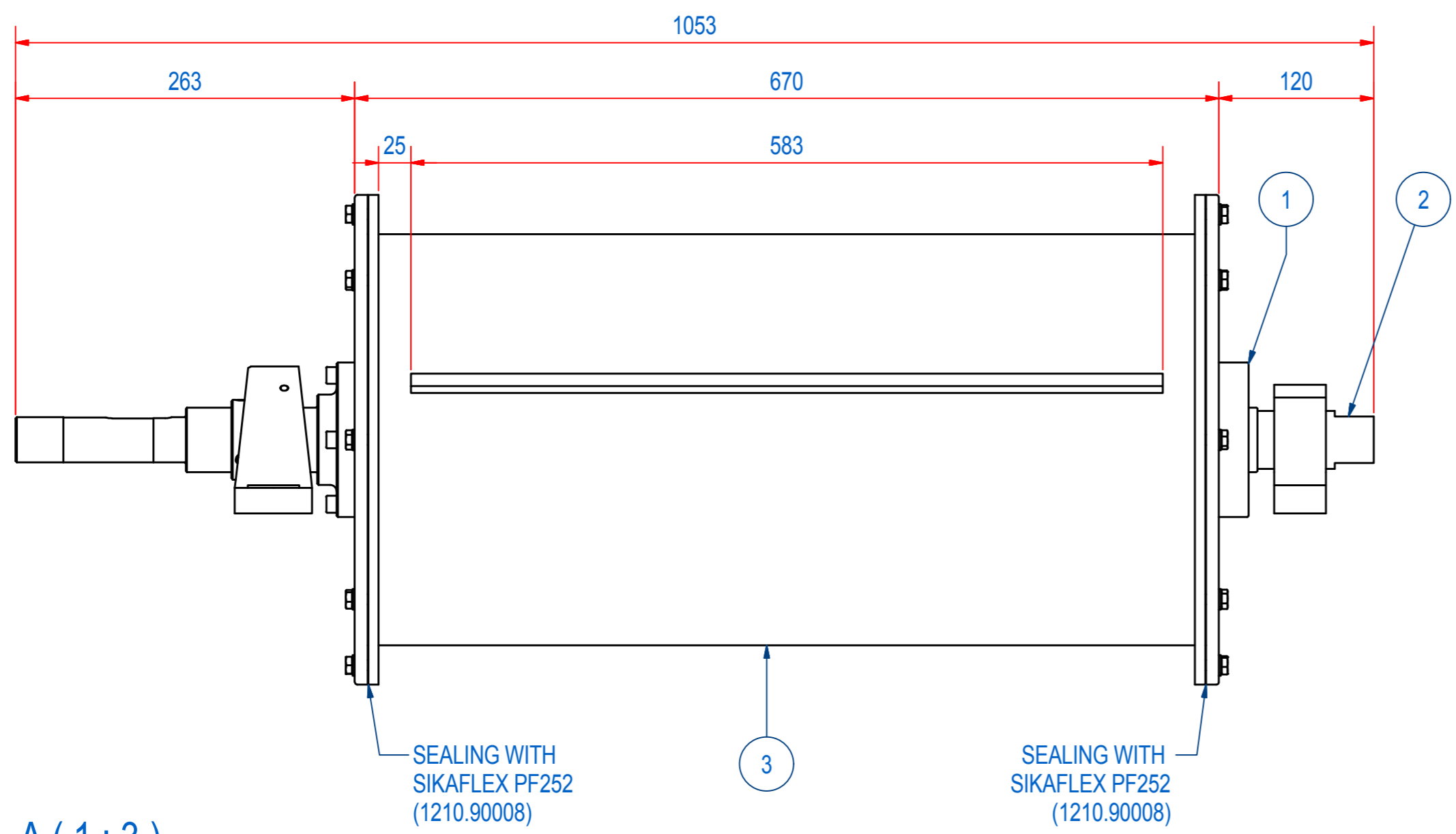
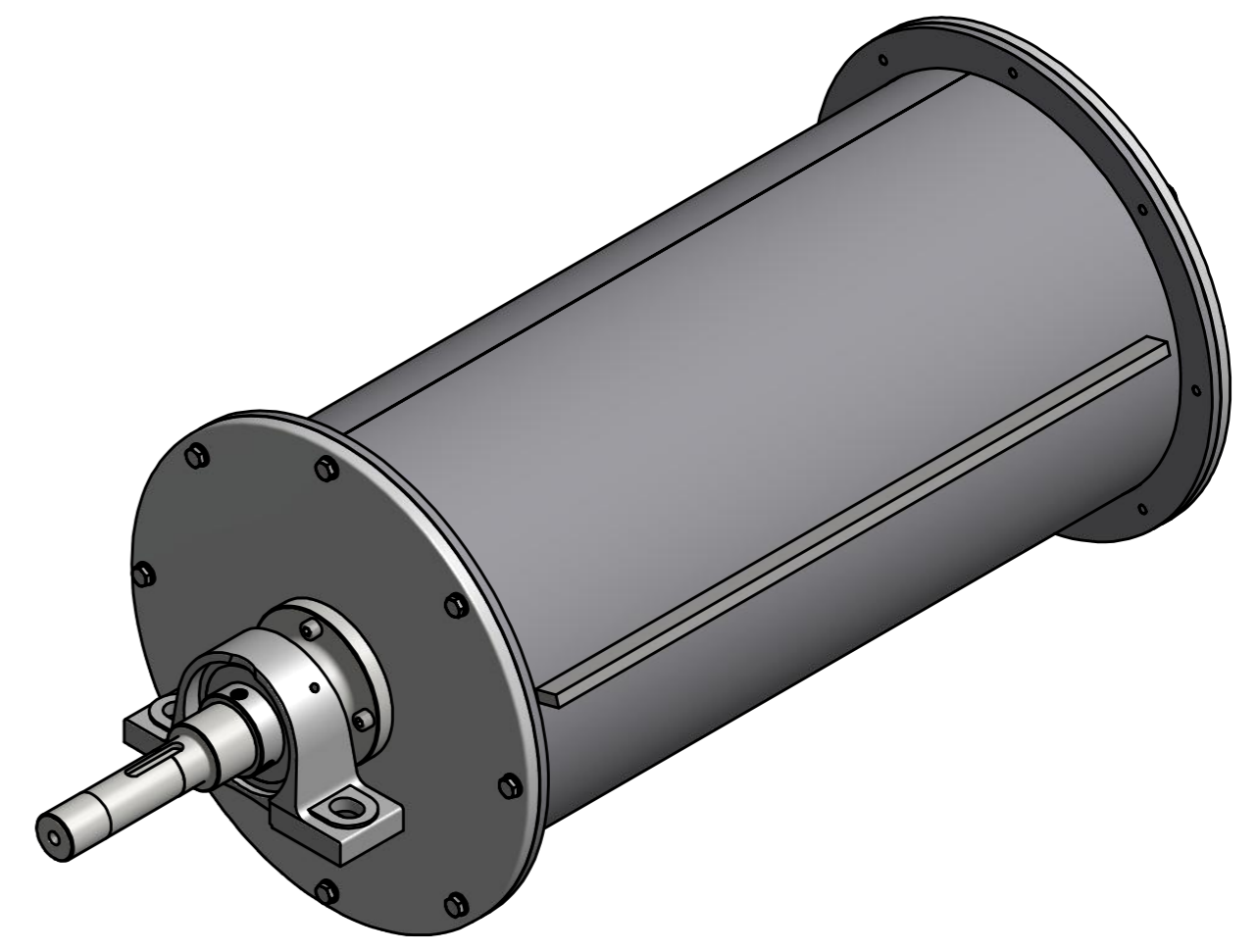
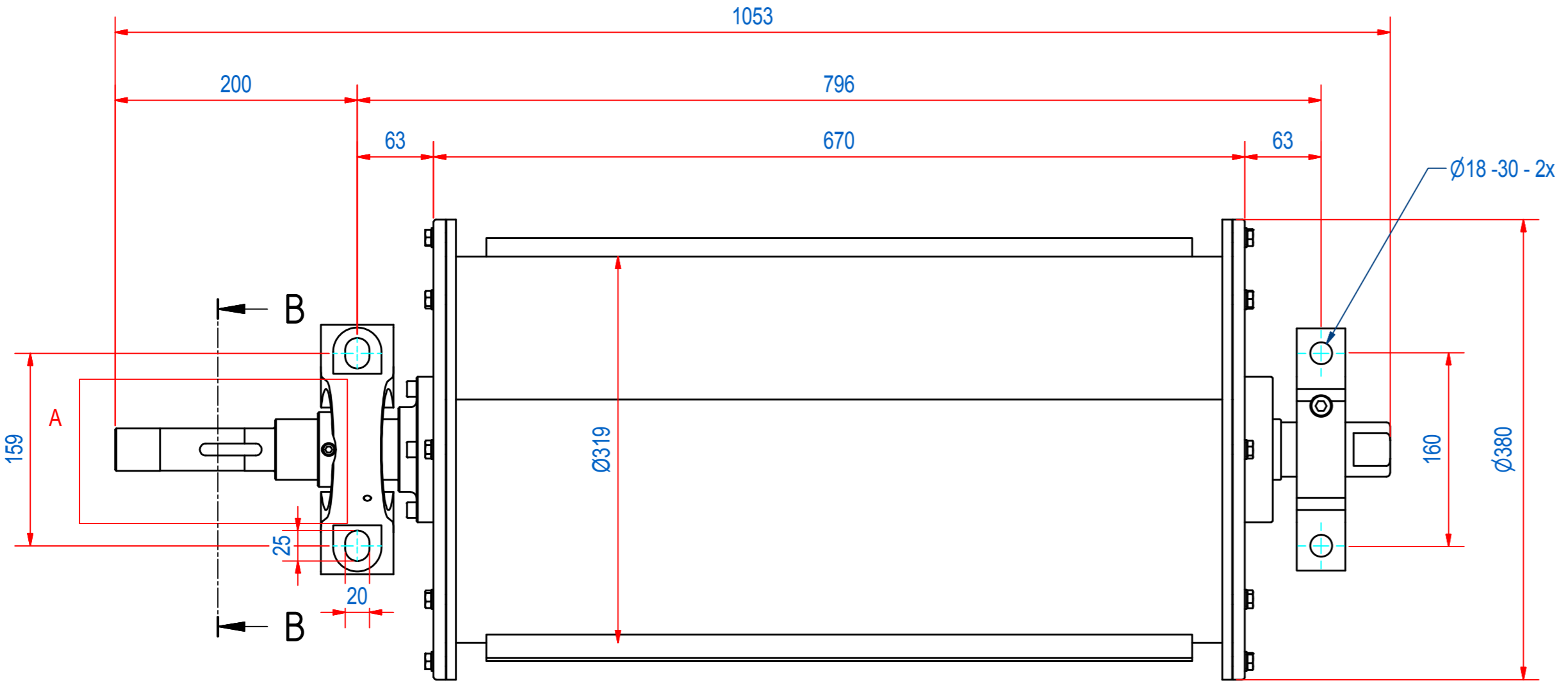
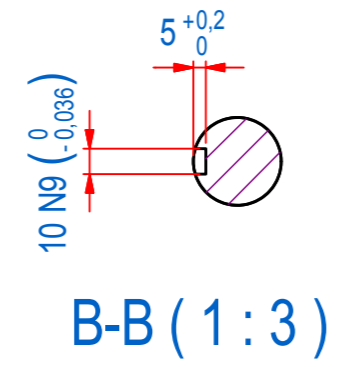
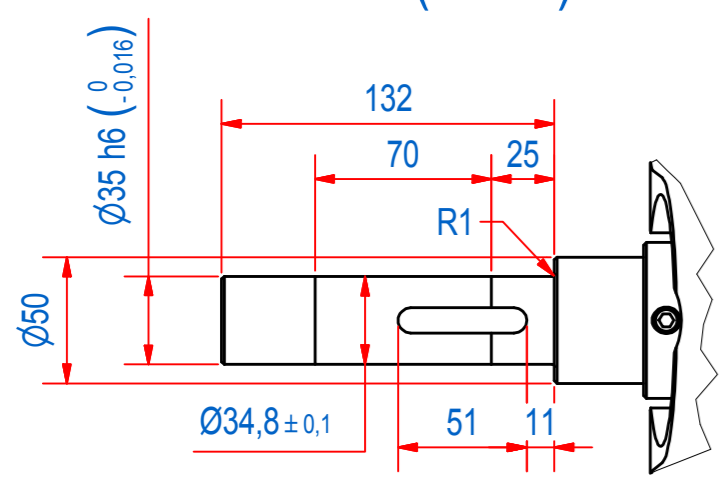


DOC.NR.	REV	DATE	BY	DESCRIPTION
E0062393	-	20-10-2016	DD	ORIGINAL DRAWING



A (1:3)



B-B (1:3)

ITEM	QTY	PART NUMBER	DESCRIPTION	Dimensions
3	1	E0061786	SHELL WITH CLEATS RECD 06	
2	1	E0019846	DR-06-H MAGNET PACK	
1	1	E0061072	DR-00 FLANGE WITH AXLE ASSY	
RAW MAT.	1			
Quantity		Material Number	Material Description	Length (mm) Width (mm)
Sheet:	A2	Extra info:	General tolerance:	ISO 2768 - mK
Drawn:	DD	Weight (kg):	Drawn according:	ISO268; ISO1101; ISO2553
Date:	12-10-2016		Status:	Released
Spare part:	False		Customer reference number:	
Quick search:	RMD-06		Document number:	E0062393
Description:			Part number:	E0061826
			Doc.Rev:	
			Rev:	



© All rights reserved. Reproduction is not permitted without written permission of GOUDSMIT Magnetic Systems BV.

RMD-06-32-RS-H-OR-15S2