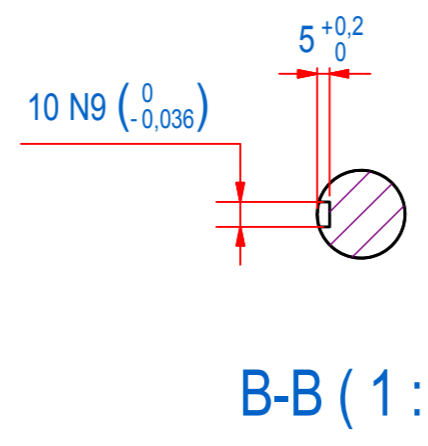
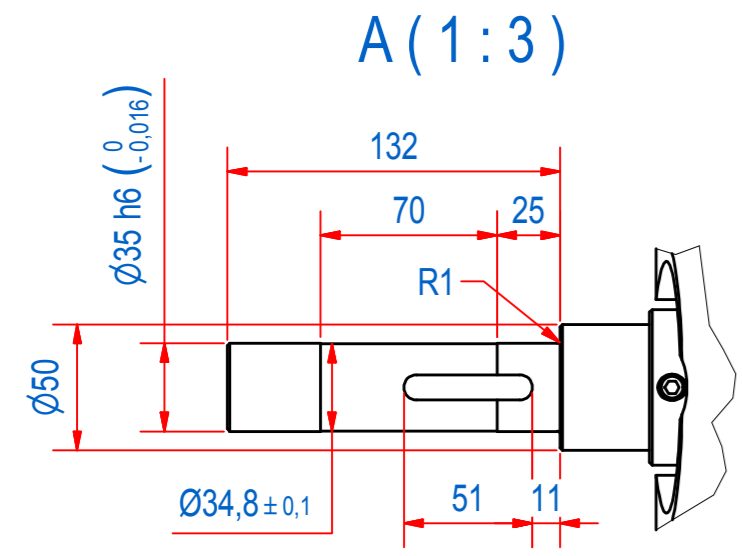
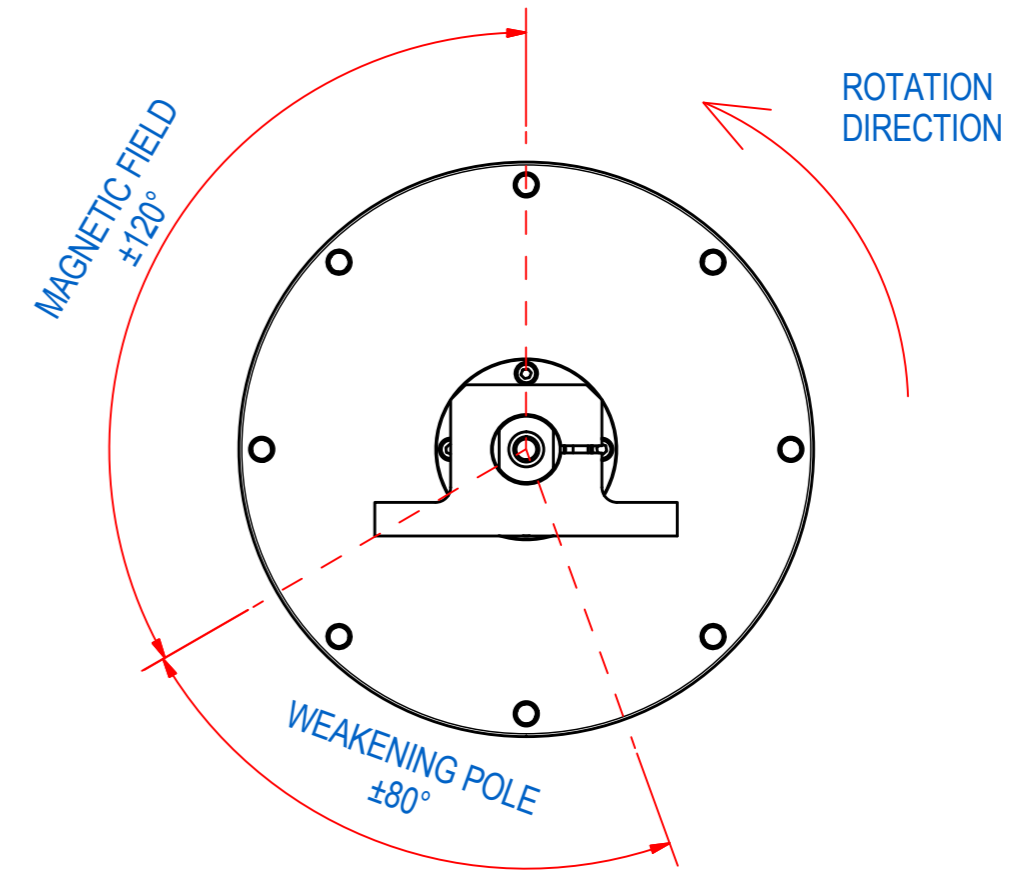
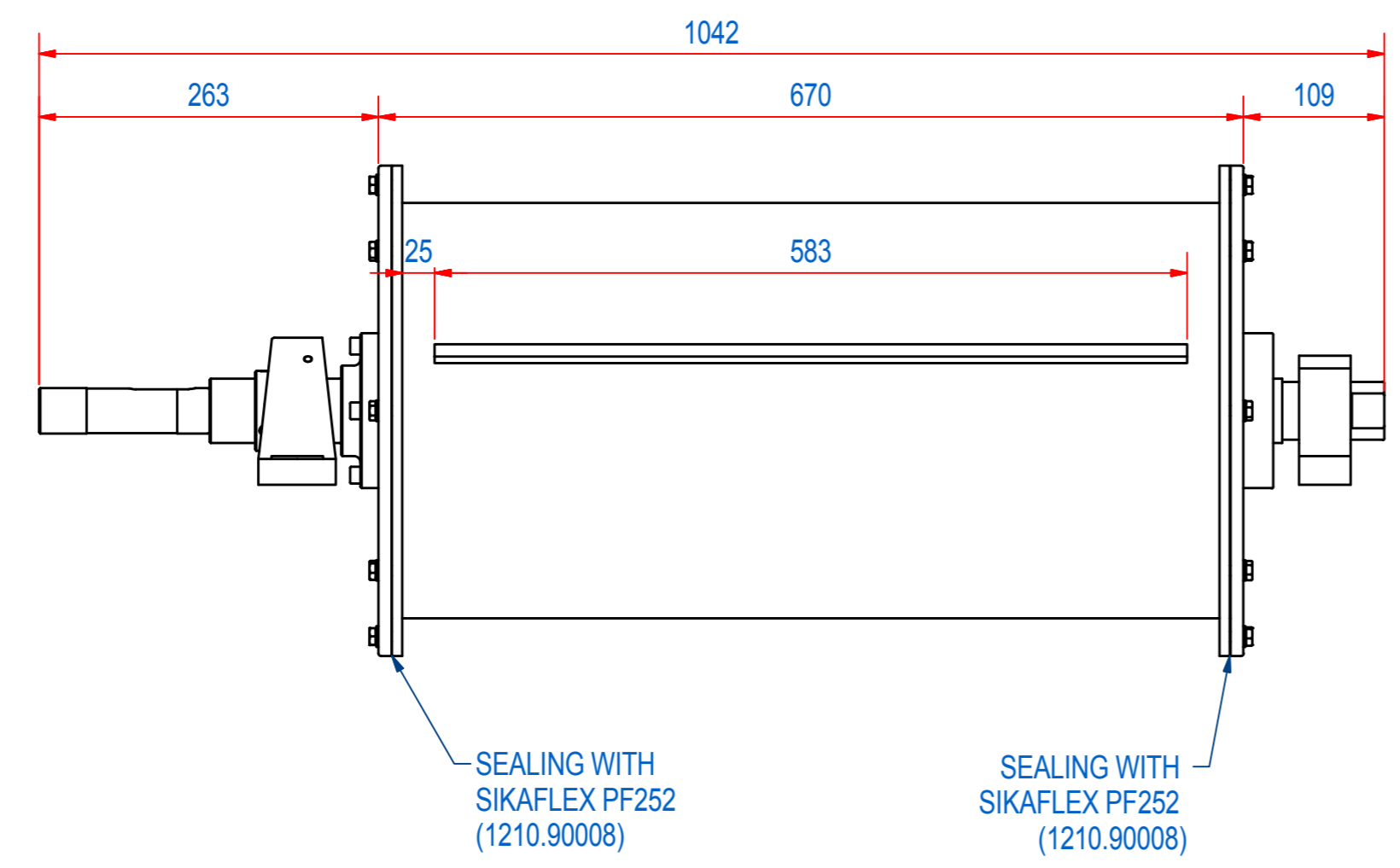
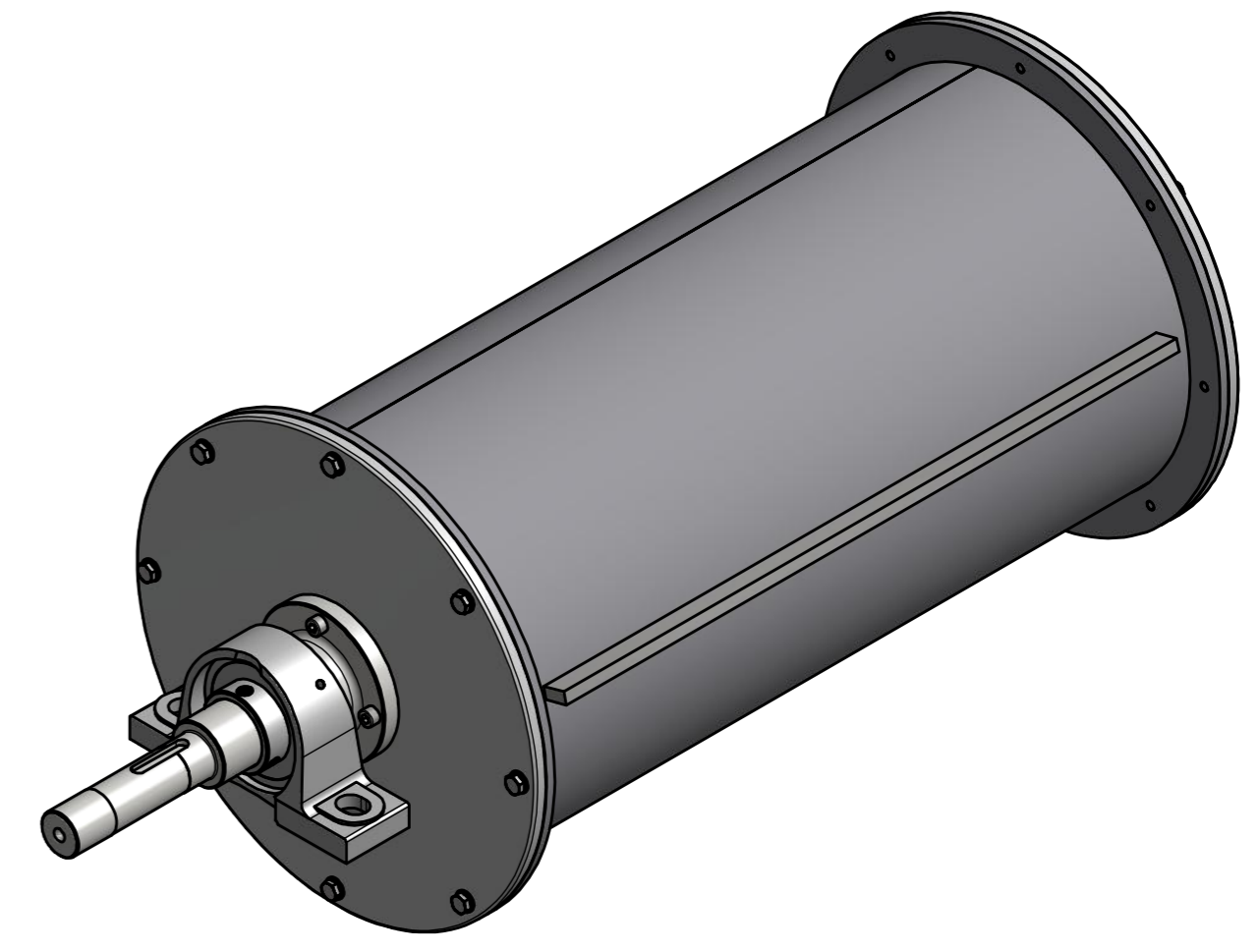
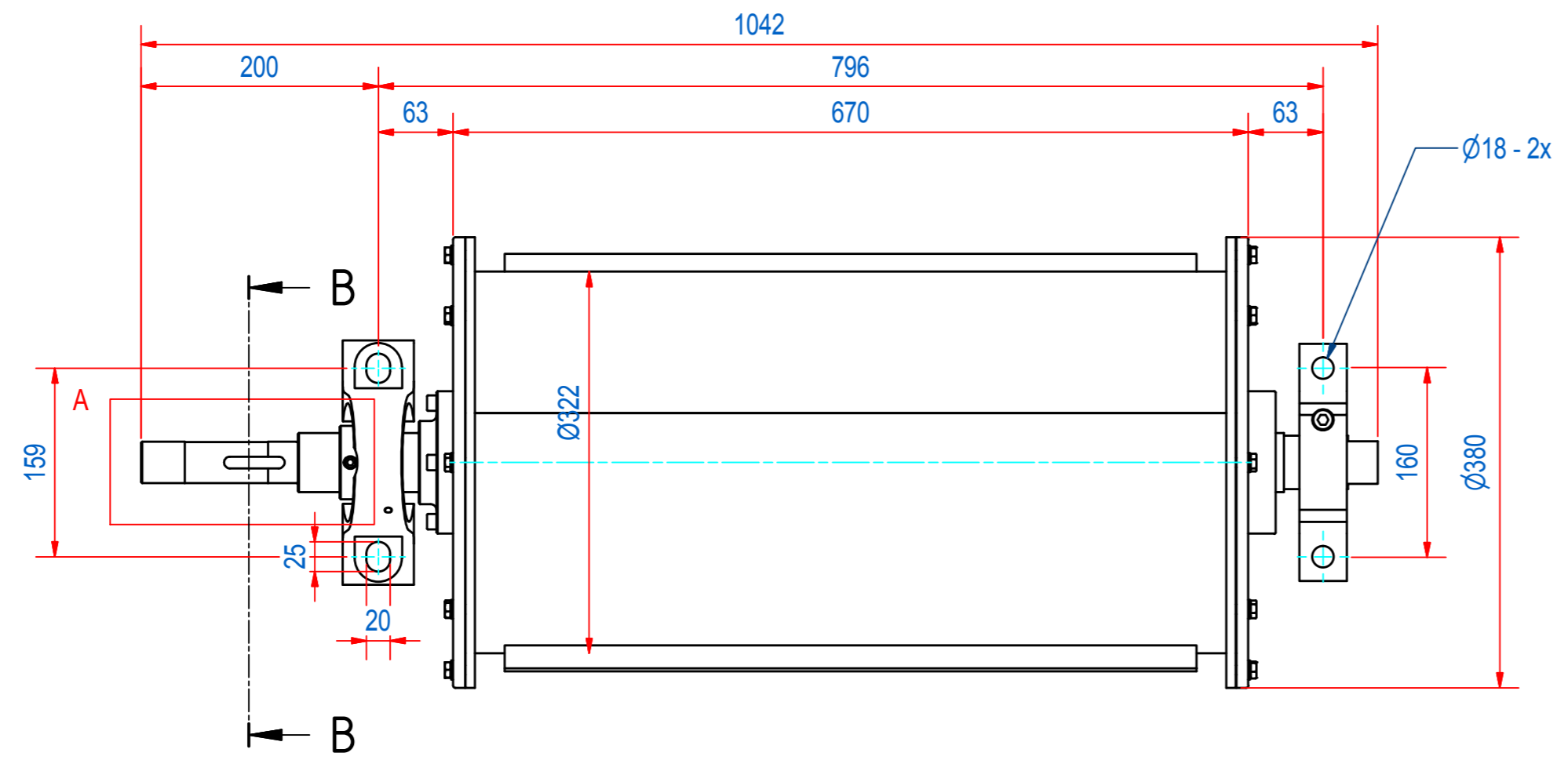


REV	DATE	BY	DESCRIPTION
-	19-10-2016	DD	ORIGINAL DRAWING



ITEM	QTY	PART NUMBER	DESCRIPTION	Dimensions	
4	1	E0060208	SHELL WITH CLEATS RECD 06		
3	1	E0019920	DR-06-P MAGNET PACK		
2	1	E0017822	DR-06 AXLE R304		
1	1	E0061072	DR-00 FLANGE WITH AXLE ASSY		
RAW MAT.	QTY	MAT. NUMBER	MAT. DESCRIPTION	LENGTH (mm)	WIDTH (mm)
⊕	1				
Sheet: A2		Extra info:		General tolerance: ISO 2768 - mK	
Drawn: TD		Weight (kg): 174,7		Drawn according: ISO268; ISO1101; ISO2553	
Date: 14-10-2016				Status: Released	
Spare part: False				Customer reference number:	
Quick search: RMD-06		© All rights reserved. Reproduction is not permitted without written permission of GOUDSMIT Magnetic Systems BV		File number: E0062088 Rev: -	
Description: RMD-06-32-RS-P-OR-30S2				Part number: E0062088 Rev: -	