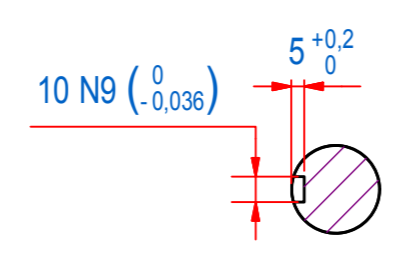
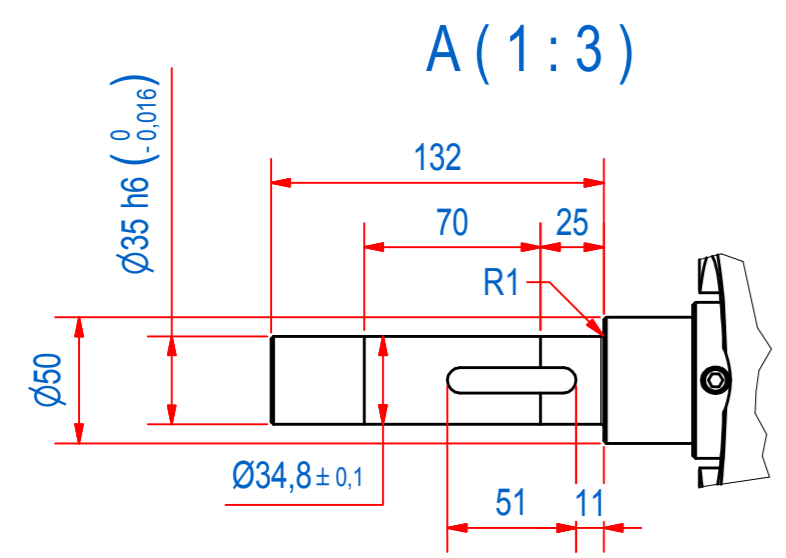
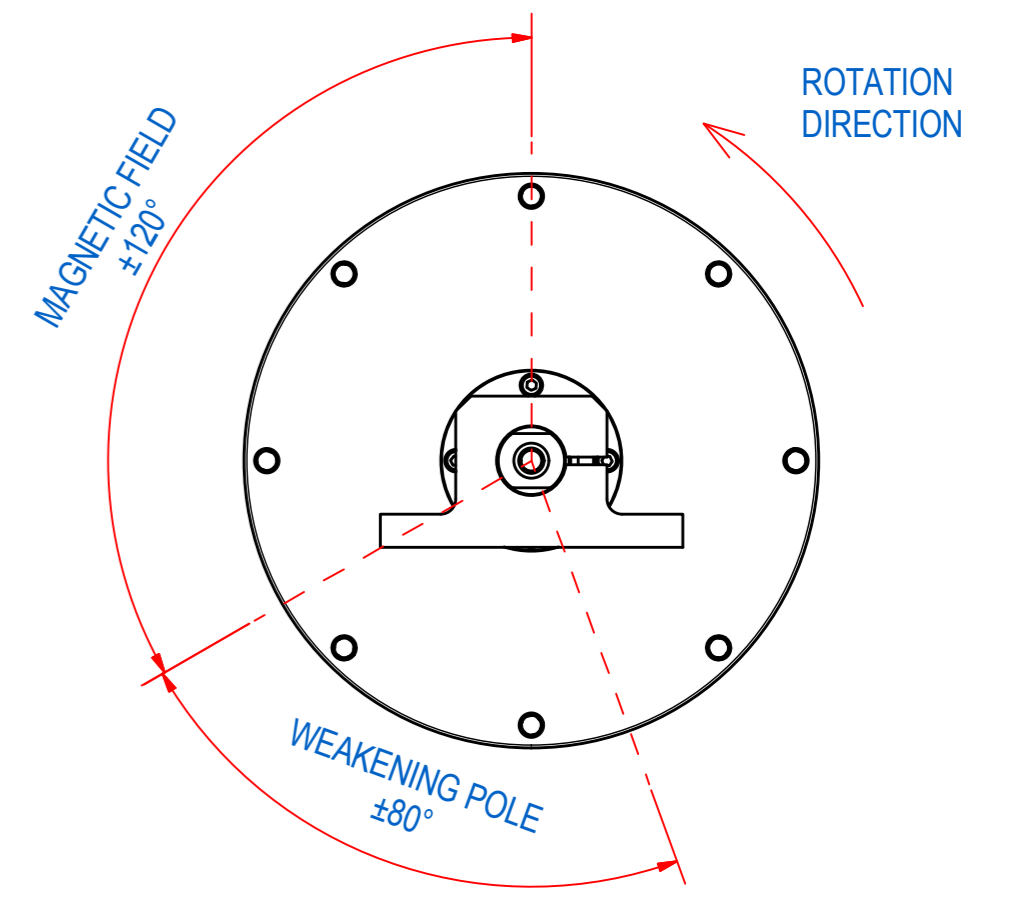
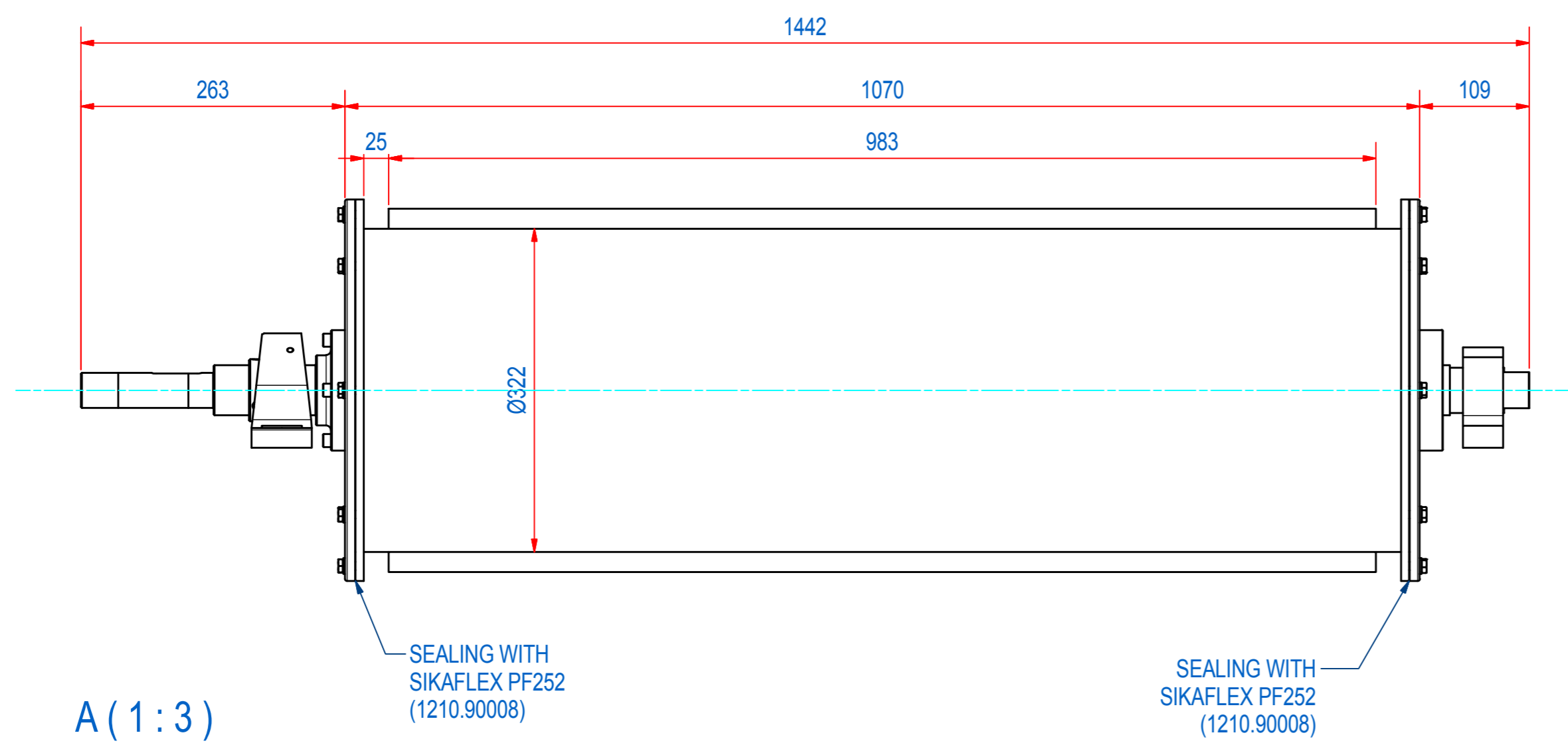
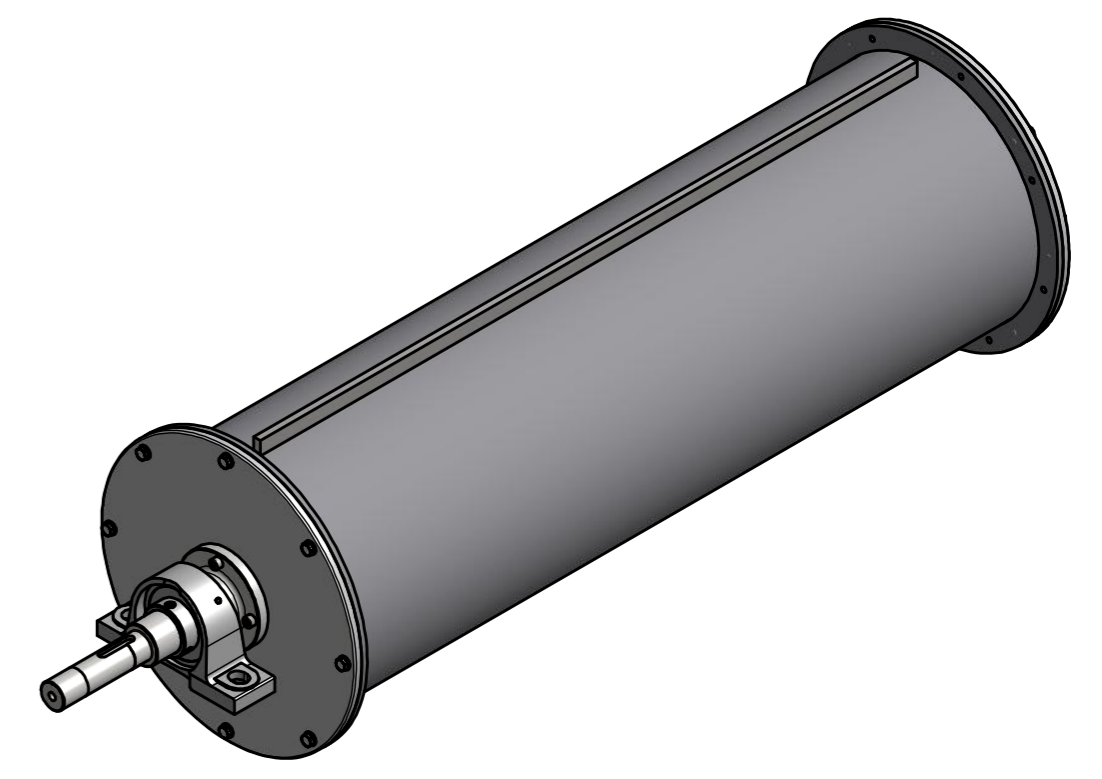
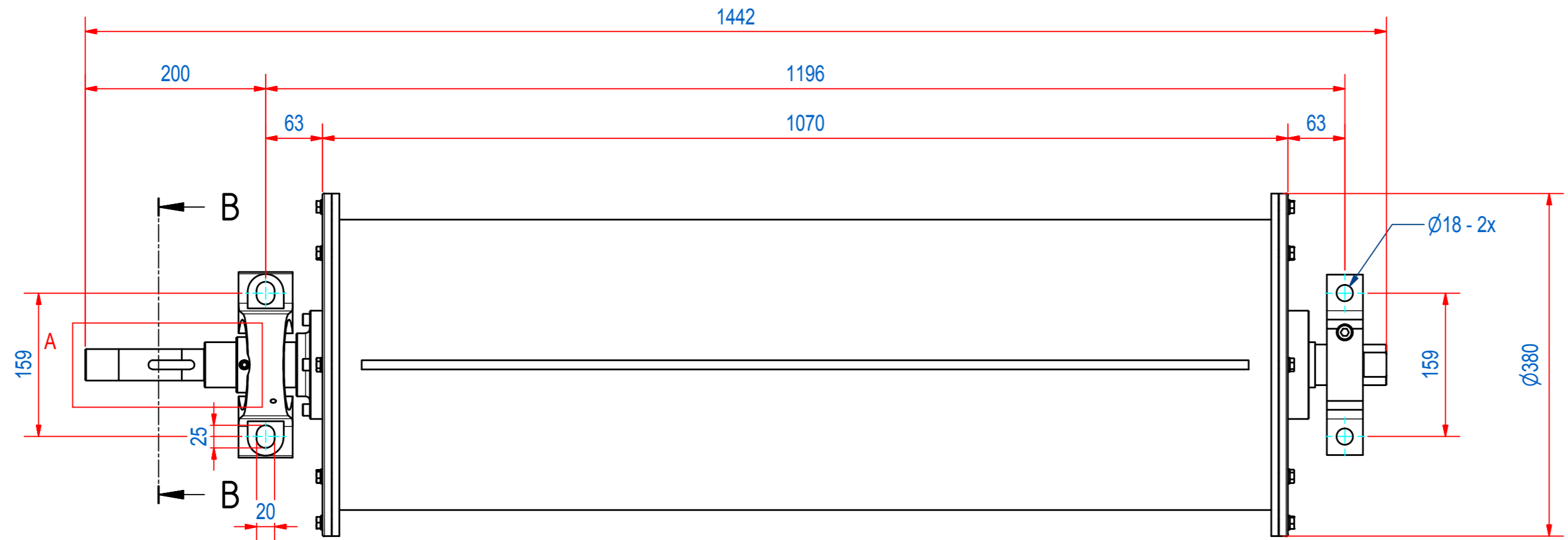


REV	DATE	BY	DESCRIPTION
-	19-10-2016	DD	DIMENSIONS ADDED, SHELL CHANGED



B-B (1:3)

ITEM	QTY	PART NUMBER	DESCRIPTION	Dimensions
4	1	E0060297	SHELL WITH CLEATS RECD 10	
3	1	E0061072	DR-00 FLANGE WITH AXLE ASSY	
2	1	E0017824	DR-10 AXLE ST	
1	1	E0019943	DR-10-P MAGNET PACK	

RAW MAT.	QTY	MAT. NUMBER	MAT. DESCRIPTION	LENGTH (mm)	WIDTH (mm)
	1				

Sheet: A2	Extra info:	General tolerance: ISO 2768 - mK
Drawn: TD	Weight (kg): 270,7	Drawn according: ISO268; ISO1101; ISO2553
Date: 14-10-2016		Status: Released
Spare part: False		Customer reference number:
Quick search: RMD-10	© All rights reserved. Reproduction is not permitted without written permission of GOUDSMIT Magnetic Systems BV	Document number: E0062110
Description: RMD-10-32-RS-P-OR-30S2		Part number: E0062110