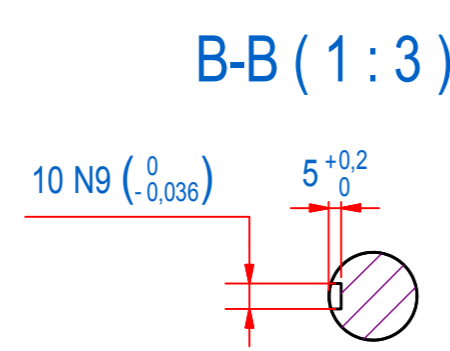
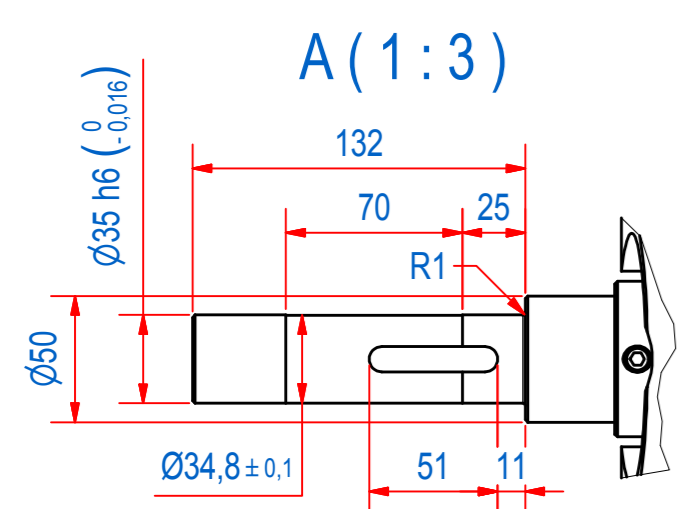
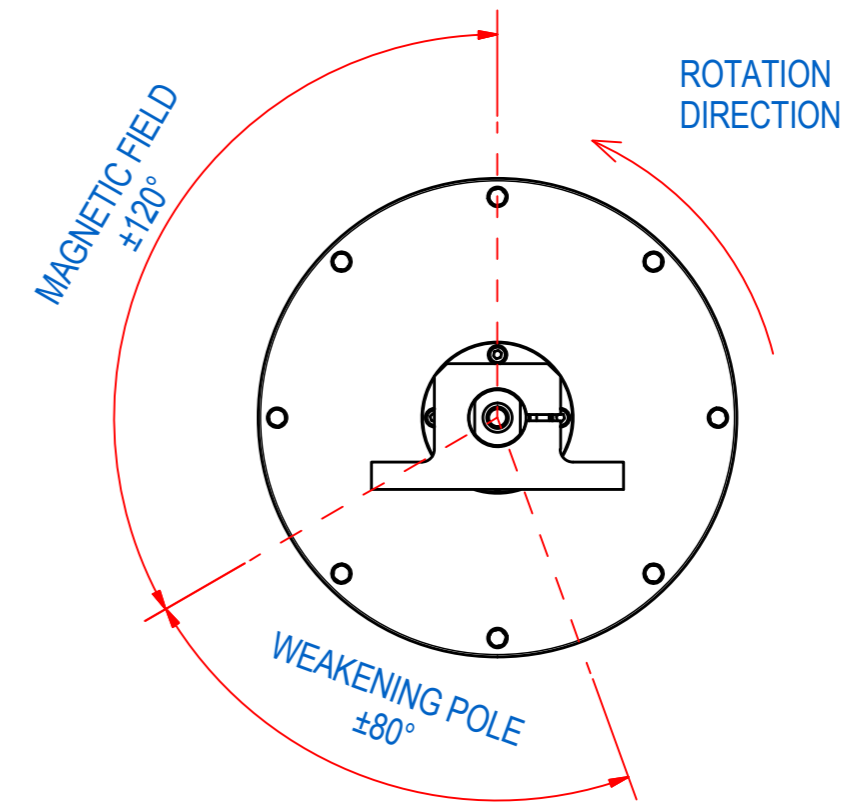
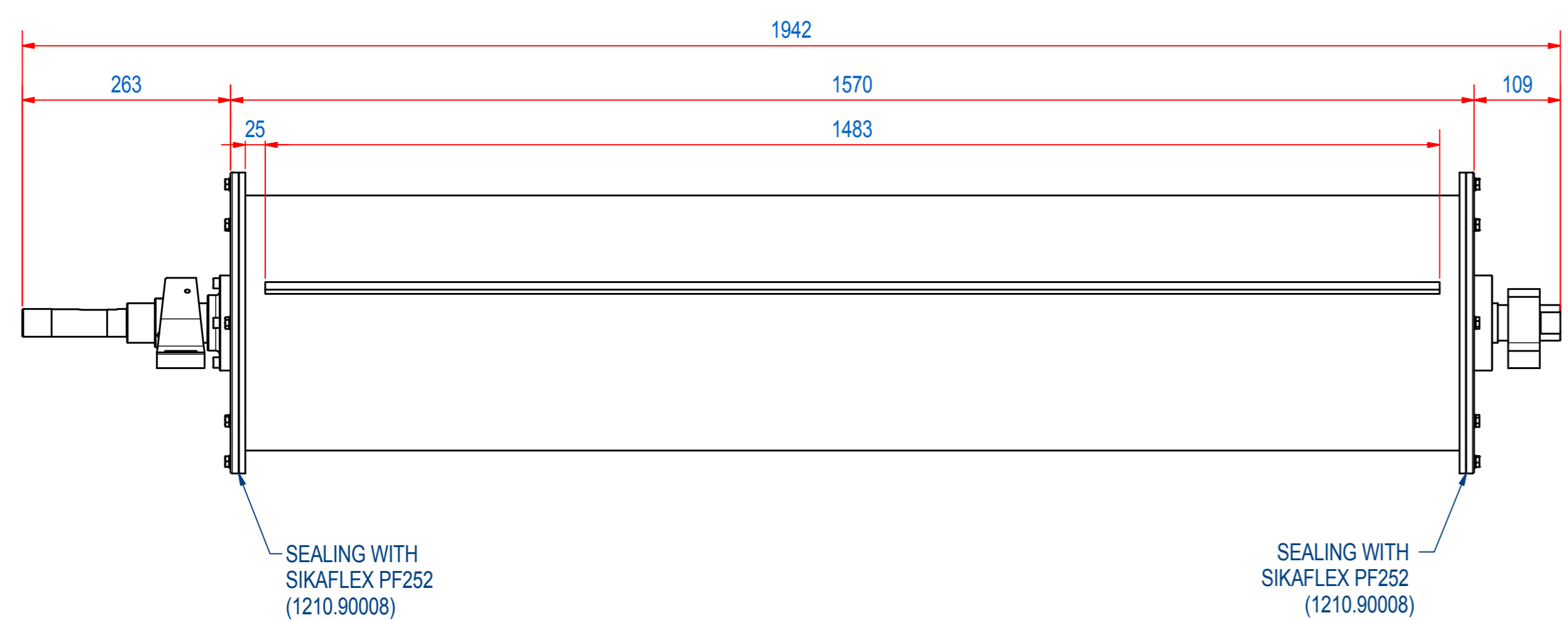
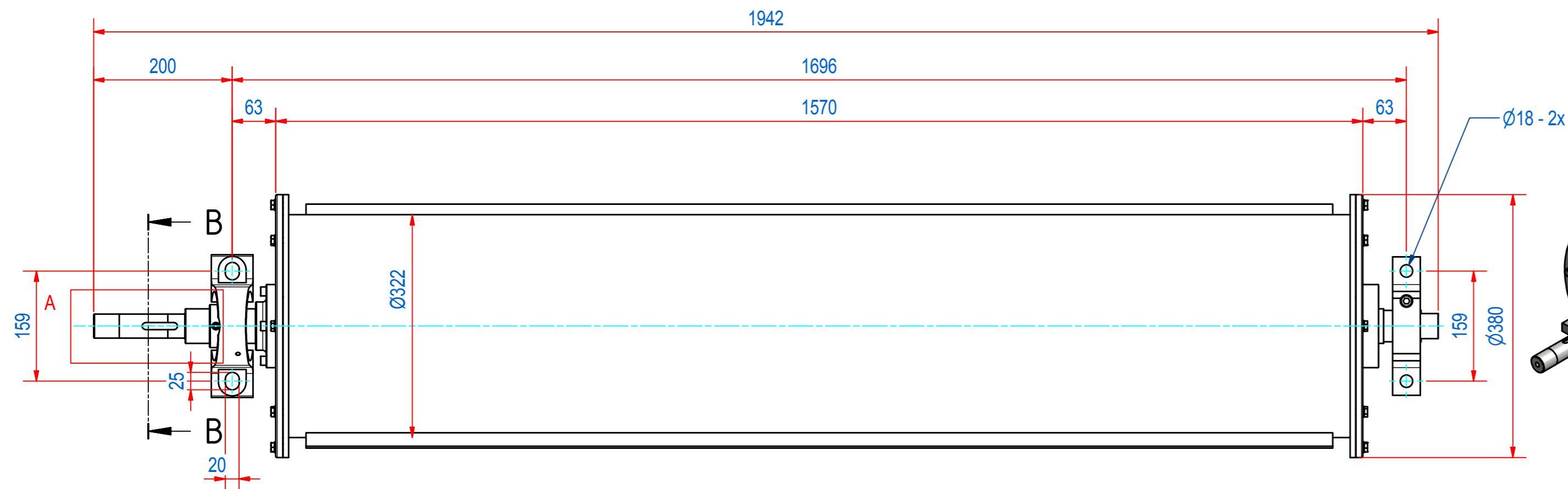


REV	DATE	BY	DESCRIPTION
-	19-10-2016	DD	Reference drawing = E0025951



ITEM	QTY	PART NUMBER	DESCRIPTION	Dimensions
4	1	E0049003	SHELL WITH CLEATS RECD 15	
3	1	E0019955	DR-15-P MAGNET PACK	
2	1	E0017827	DR-15 AXLE ST	
1	1	E0061072	DR-00 FLANGE WITH AXLE ASSY	

RAW MAT.	QTY	MAT. NUMBER	MAT. DESCRIPTION	LENGTH (mm)	WIDTH (mm)
1	1				

Sheet: A2	Extra info:	General tolerance: ISO 2768 - mK
Drawn: TD	Weight (kg): 396,1	Drawn according: ISO268; ISO1101; ISO2553
Date: 14-10-2016		Status: Released
Spare part: False		Customer reference number:
Quick search: RMD-15	<small>© All rights reserved. Reproduction is not permitted without written permission of GOUDSMIT Magnetic Systems BV</small>	File number: E0062122
Description: RMD-15-32-RS-P-OR-30S2		Part number: E0062121