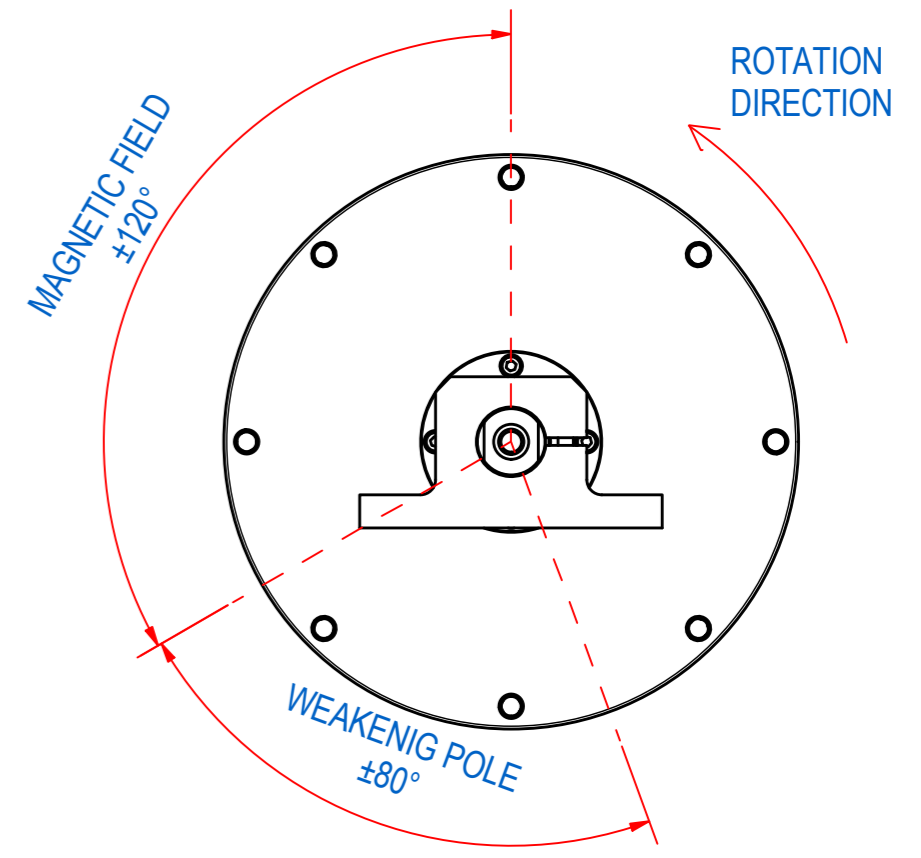
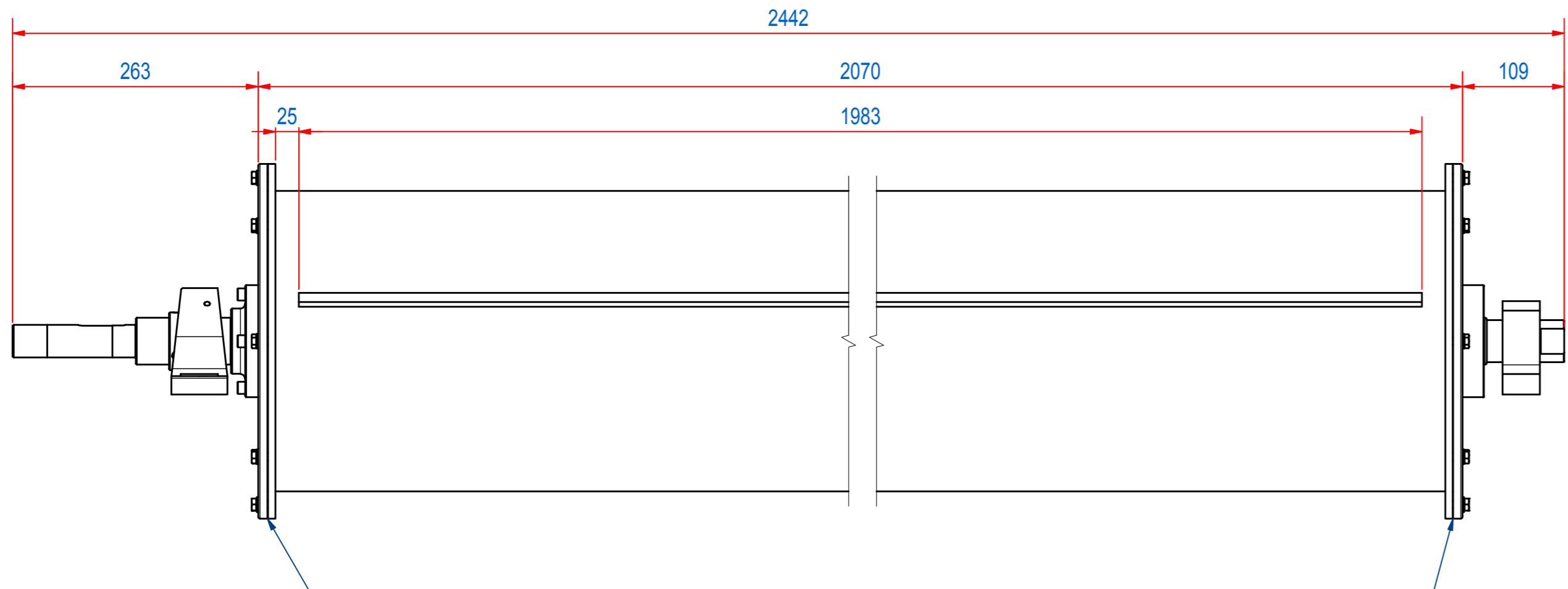
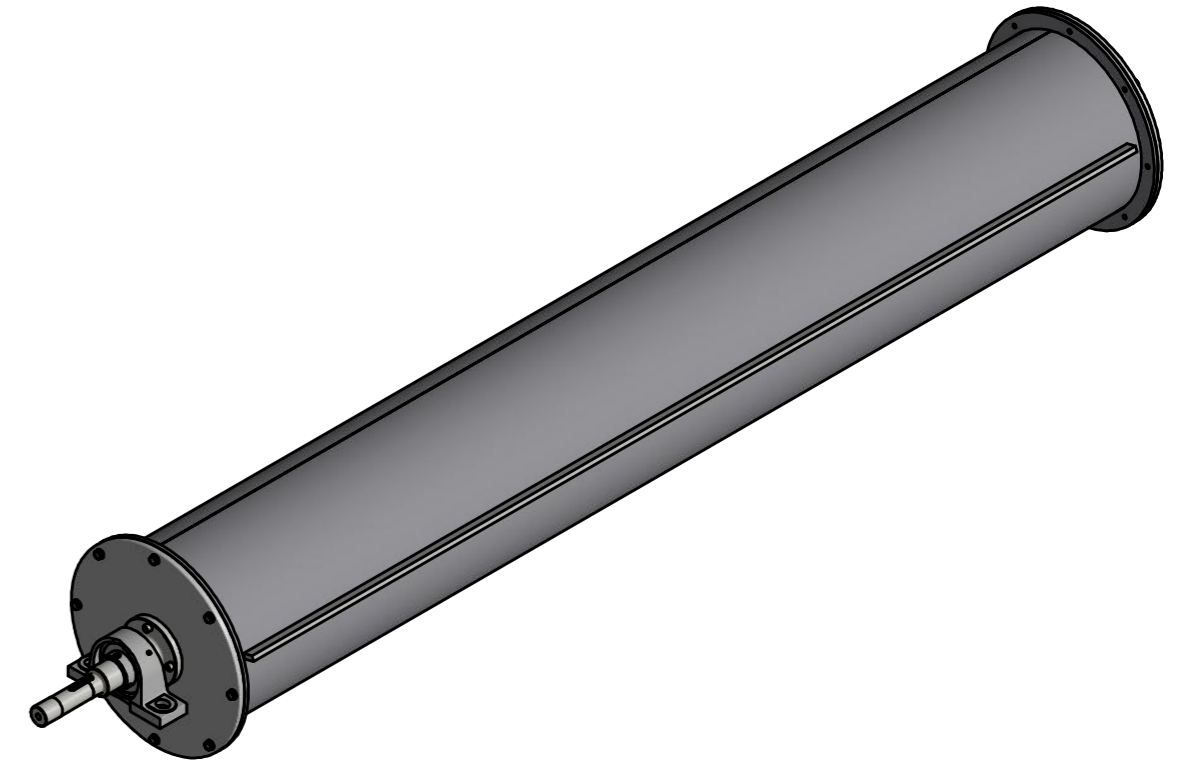
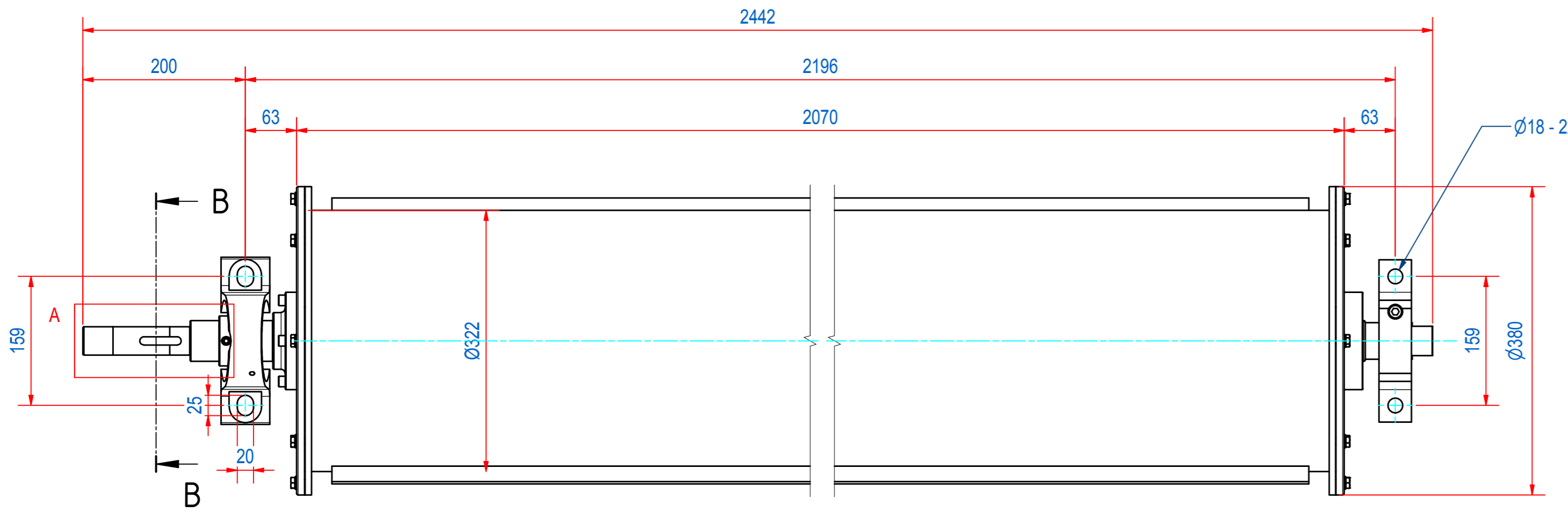


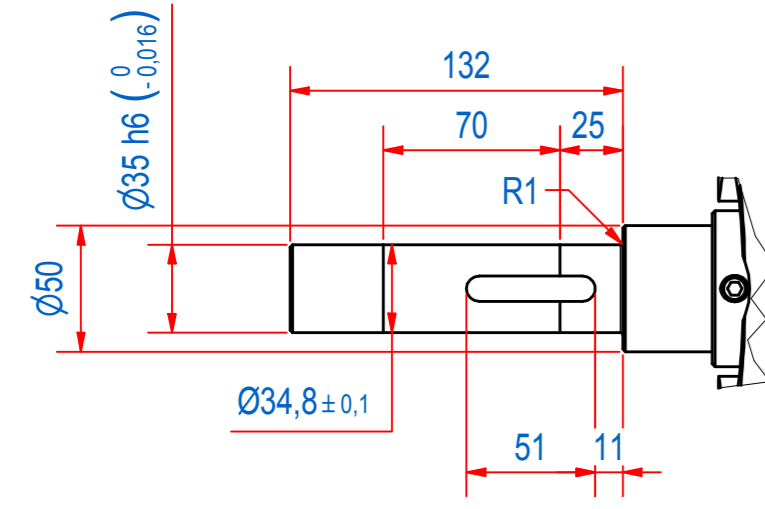
REV	DATE	BY	DESCRIPTION
-	19-10-2016	DD	Reference drawing = E0025966



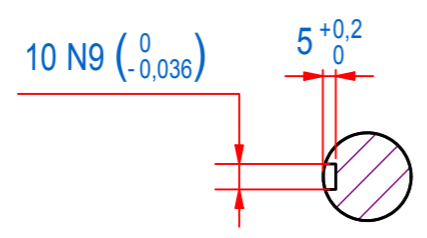
SEALING WITH SIKAFLEX PF252 (1210.90008)

SEALING WITH SIKAFLEX PF252 (1210.90008)

A (1:3)



B-B (1:3)



ITEM	QTY	PART NUMBER	DESCRIPTION	Dimensions
4	1	E0061072	DR-00 FLANGE WITH AXLE ASSY	
3	1	E0060455	SHELL WITH CLEATS RECD 15	
2	1	E0019963	DR-20-P MAGNET PACK	
1	1	E0017826	DR-20 AXLE ST	

RAW MAT.	Quantity	Material Number	Material Description	Length (mm)	Width (mm)
	1				

Sheet: A2	Extra info:	General tolerance: ISO 2768 - mK
Drawn: TT	Weight (kg): 520	Drawn according: ISO268; ISO1101; ISO2553
Date: 29-4-2019		Status: Released
Spare part: False	Source:	Customer reference number:
Quick search: RMD-20		Document number: E0062132
Description: RMD-20-32-RS-P-OR-30S2		Doc.Rev: -
		Part number: E0062133
		Rev: -