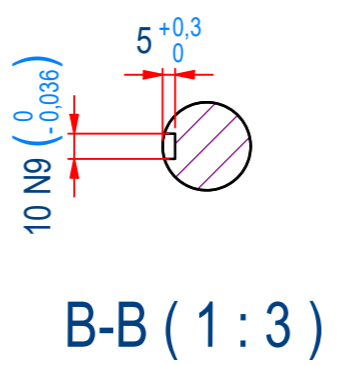
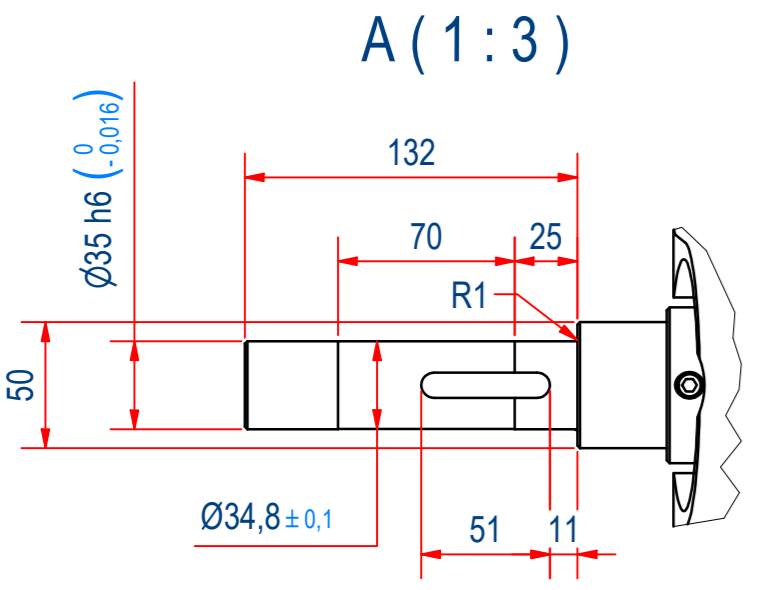
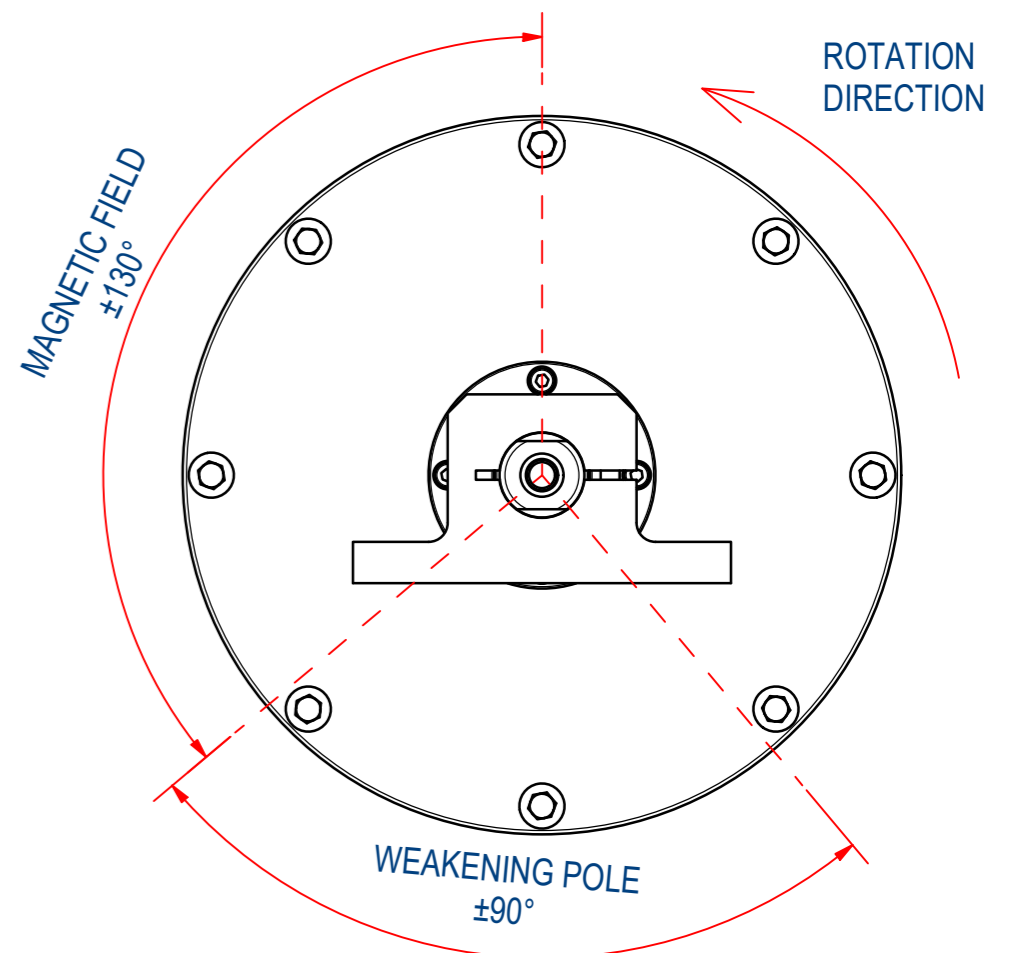
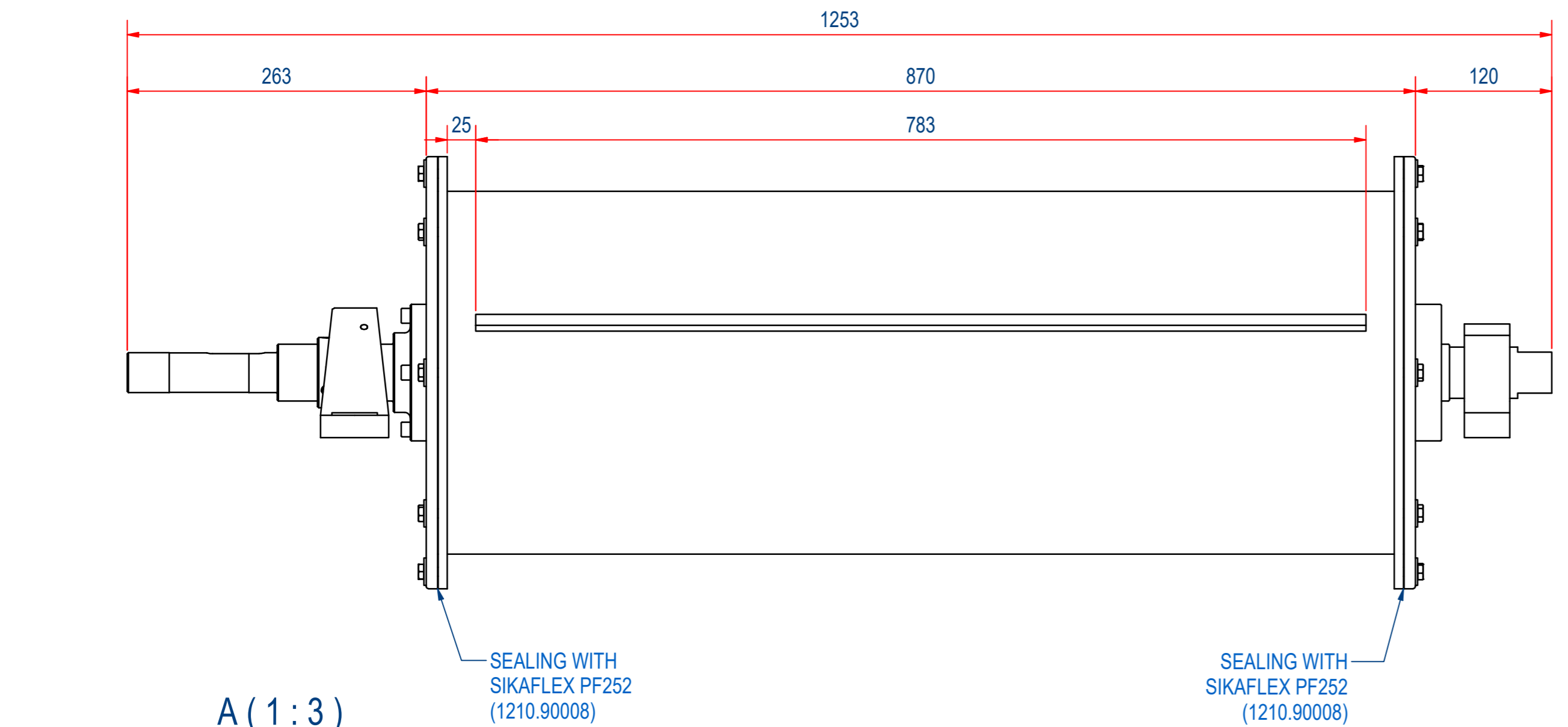
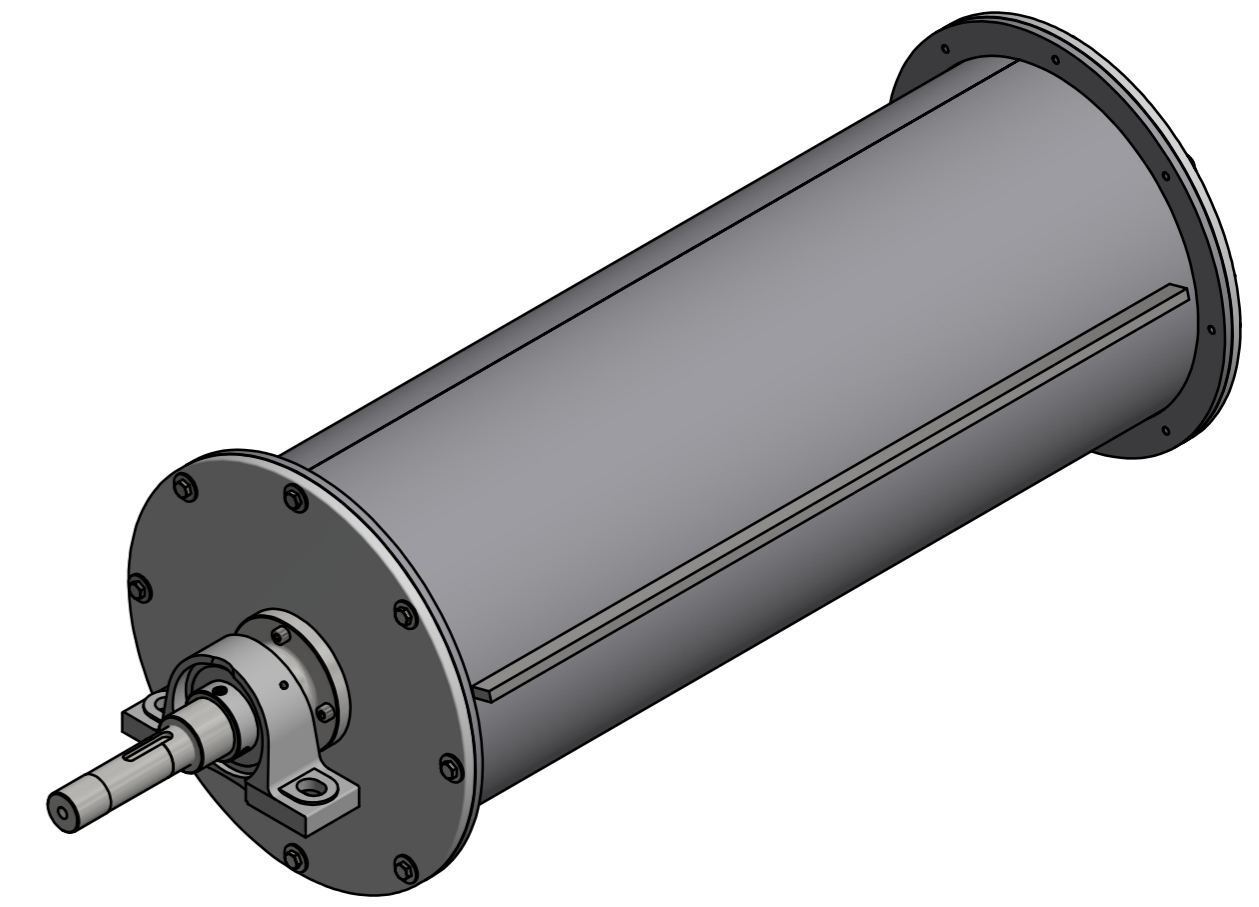
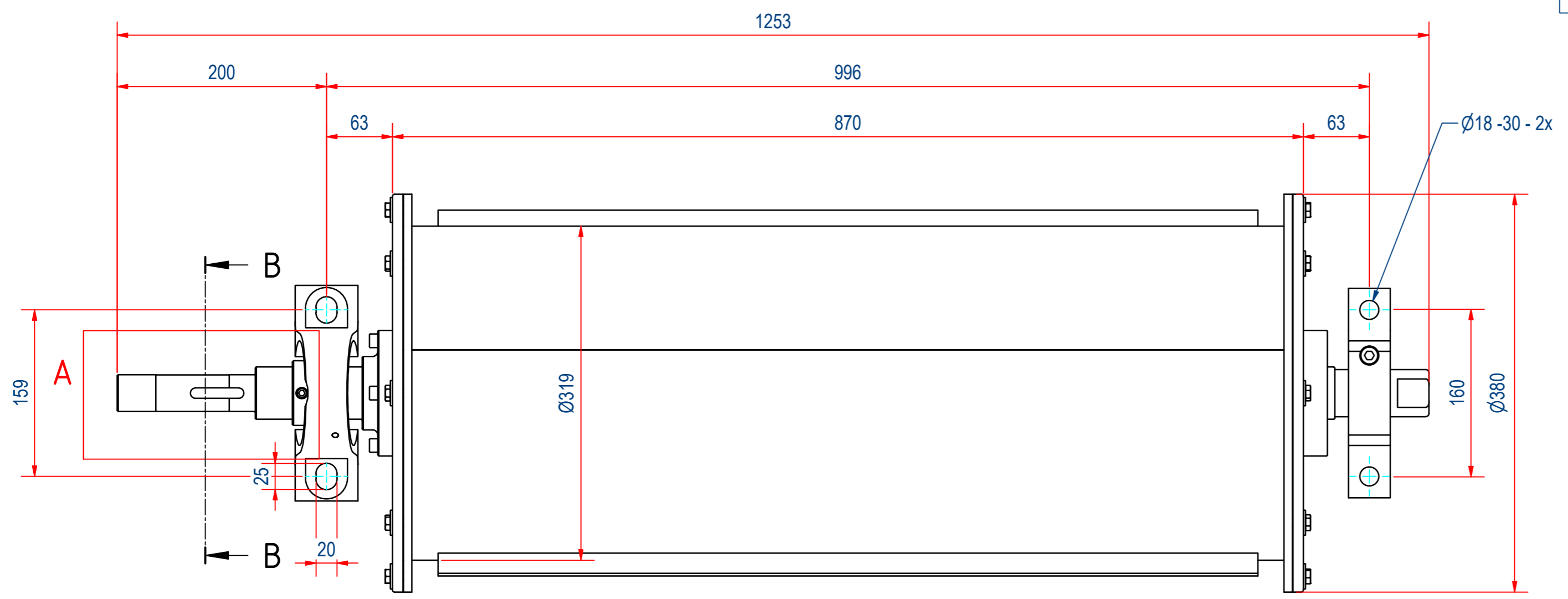


| REV | DATE | BY | DESCRIPTION |
|-----|------------|----|------------------------------|
| - | 19-10-2016 | DD | Reference drawing = E0025957 |
| A | 1-7-2021 | TT | CHANGED BOLTS TO A4 |



| ITEM | QTY | PART NUMBER | DESCRIPTION | Dimensions |
|------|-----|-------------|-----------------------------|------------|
| 3 | 1 | E0061833 | ROLLED SHELL ASSY 15S2 | |
| 2 | 1 | E0026108 | H-TYPE MAGNET PACK | |
| 1 | 1 | E0061072 | DR-00 FLANGE WITH AXLE ASSY | |

| | | | | | |
|----------|----------|-----------------|----------------------|-------------|------------|
| RAW MAT. | Quantity | Material Number | Material Description | Length (mm) | Width (mm) |
| ⊕ | 1 | | | | |

| | | | | | |
|---------------|------------------------|--------------|---------------|----------------------------|--------------------------|
| Sheet: | A2 | Extra info: | HIGH GRADIENT | General tolerance: | ISO 2768 - cL |
| Drawn: | TD | Weight (kg): | 220 | Drawn according: | ISO268; ISO1101; ISO2553 |
| Date: | 19-10-2016 | | | Status: | Released |
| Spare part: | False | | | Customer reference number: | |
| Quick search: | RMD-08 | | | Document number: | E0062397 |
| Description: | RMD-08-32-RS-H-OR-15S2 | | | Doc.Rev: | A |
| | | | | Part number: | E0062396 |
| | | | | Rev: | A |