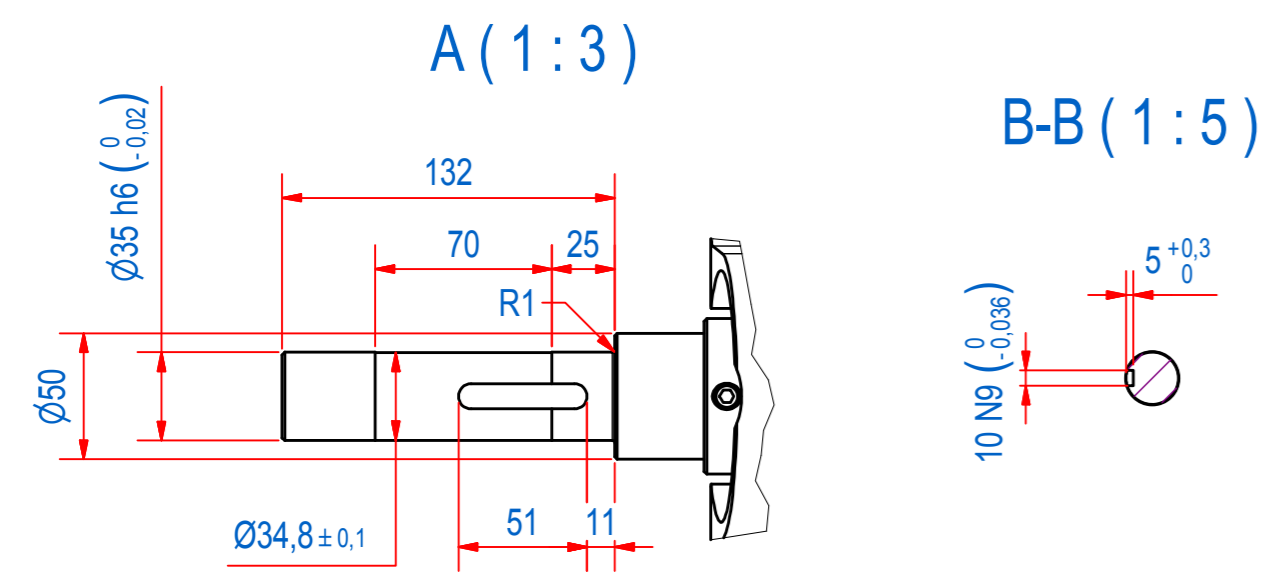
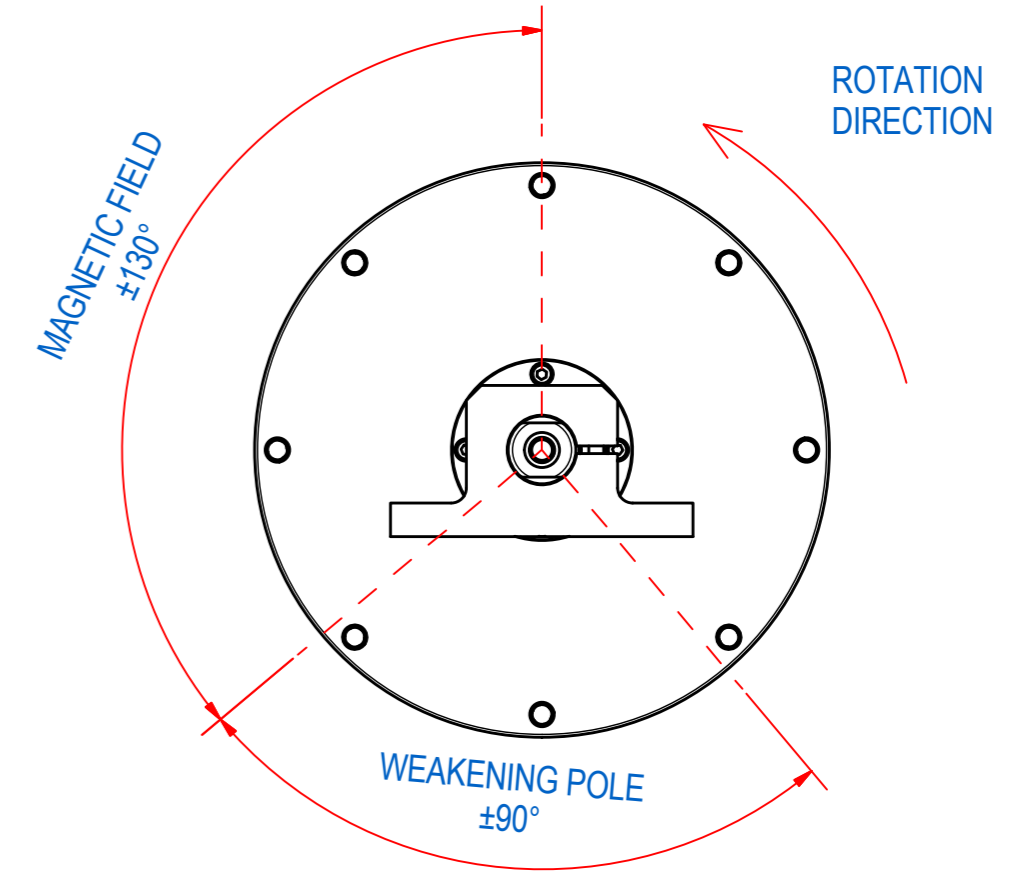
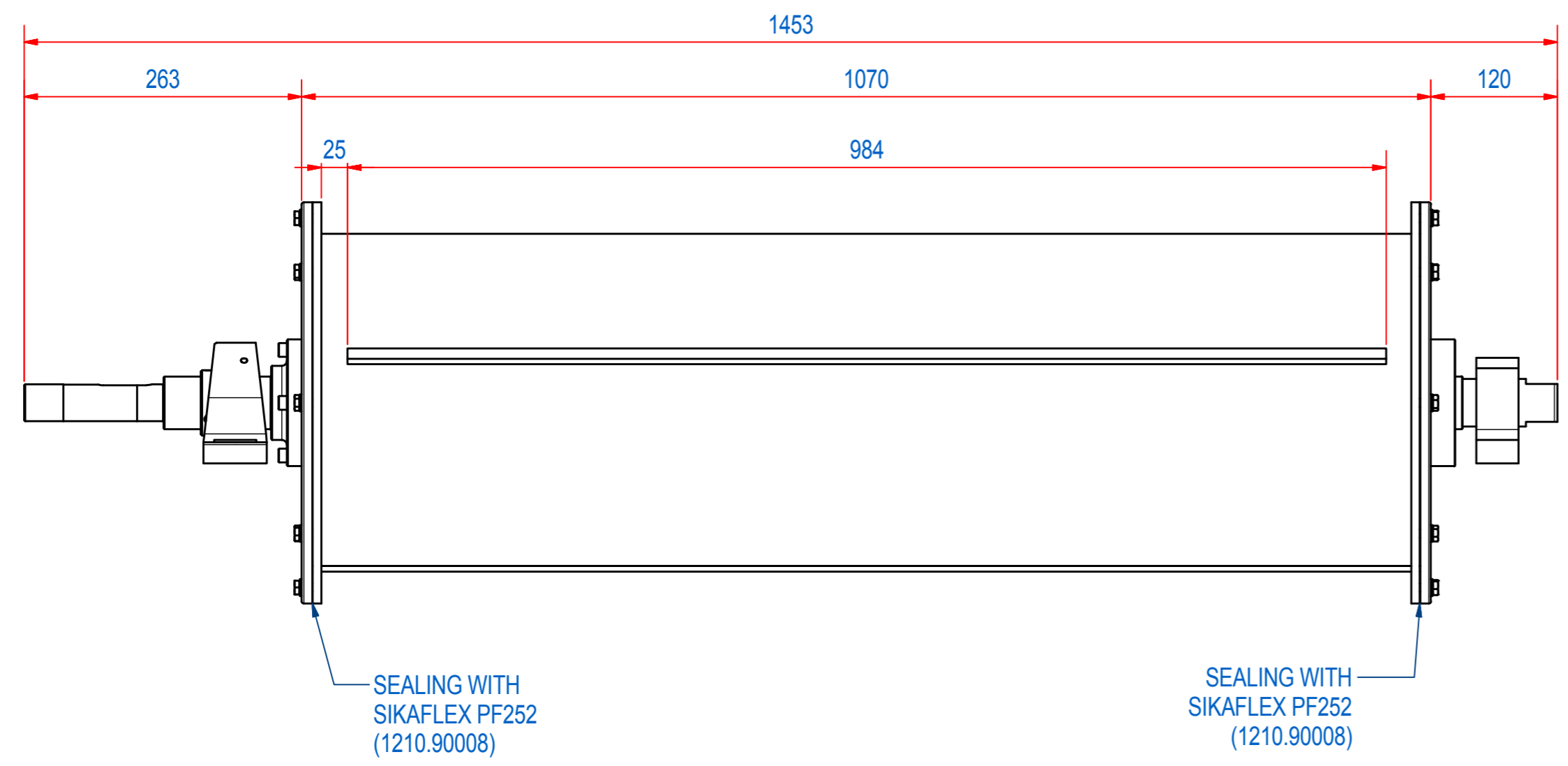
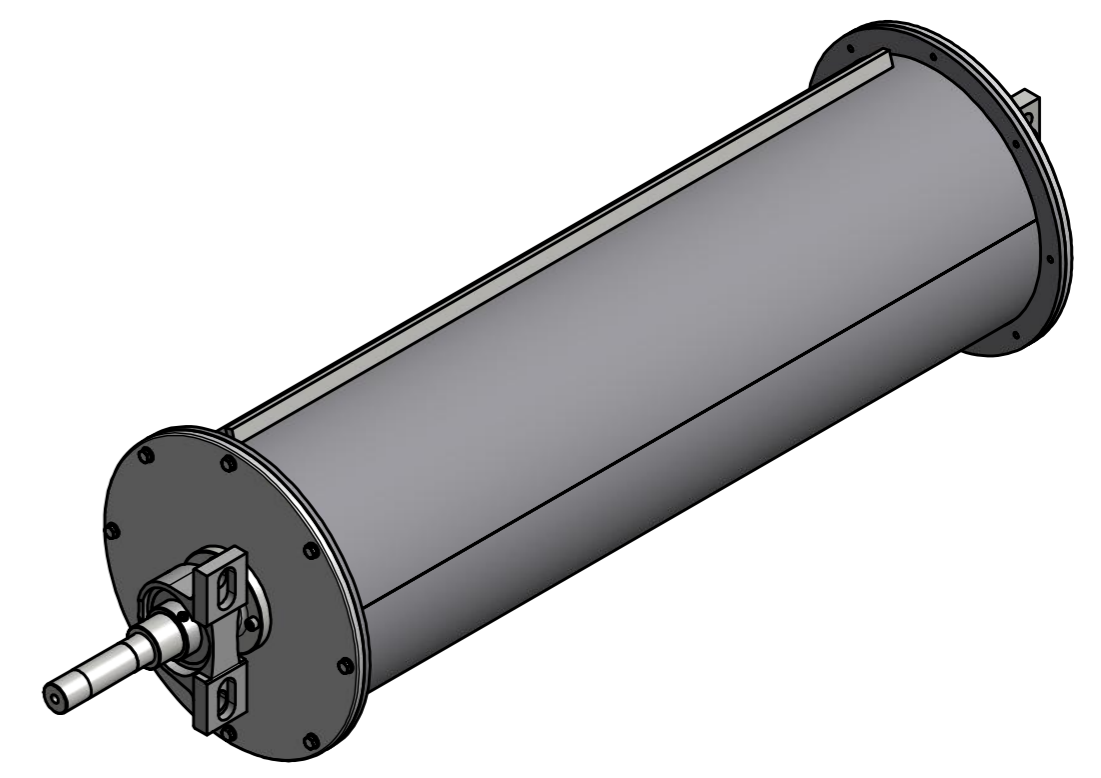
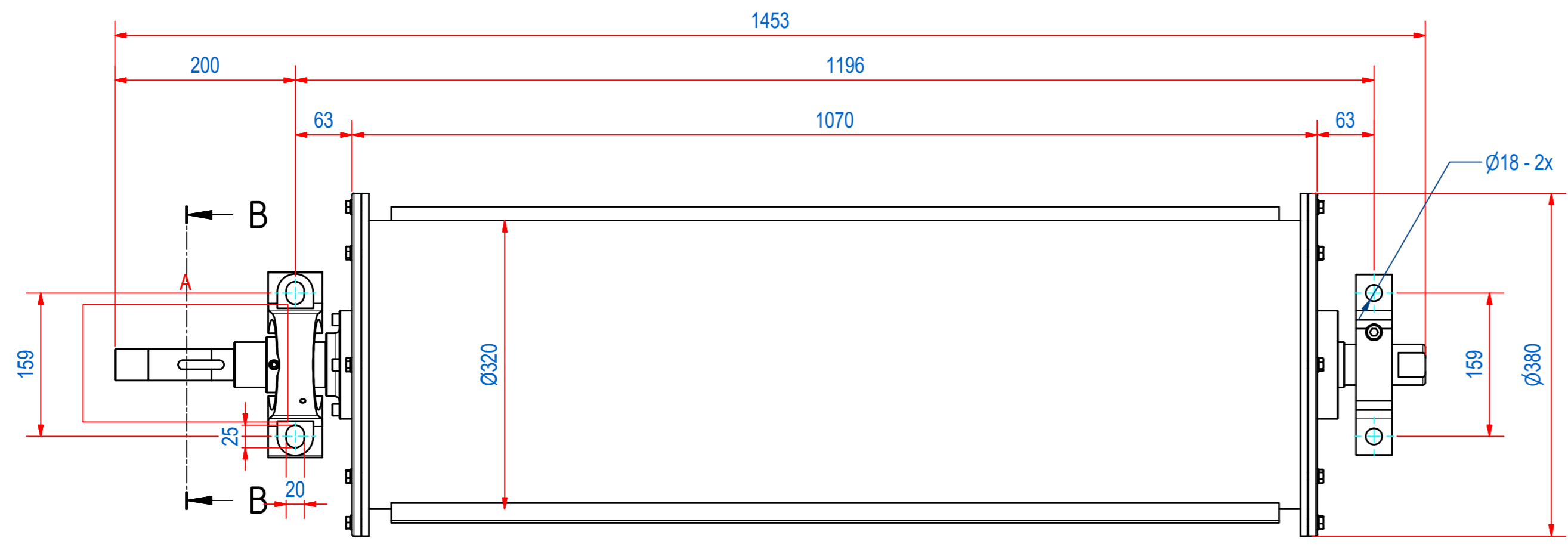


REV	DATE	BY	DESCRIPTION
-	19-10-2016	DD	PRODUCT KEY CHANGED



ITEM	QTY	PART NUMBER	DESCRIPTION	Dimensions	
3	1	E0047941	SHELL WITH CLEATS RECD 10		
2	1	E0061072	DR-00 FLANGE WITH AXLE ASSY		
1	1	E0019870	DR-10-H MAGNET PACK		
RAW MAT.	QTY	MAT. NUMBER	MAT. DESCRIPTION	LENGTH (mm)	WIDTH (mm)
Sheet:	A2	Extra info:	HIGH GRADIENT DRUM	General tolerance:	ISO 2768 - mK
Drawn:	TD	Weight (kg):	269.2	Drawn according:	ISO268; ISO1101; ISO2553
Date:	19-10-2016	Status:	Released	Customer reference number:	
Spare part:	False	Document number:	E0062405	Doc.Rev:	
Quick search:	RMD-10	Description:	RMD-10-32-RS-H-OR-20S2	Part number:	E0062406
© All rights reserved. Reproduction is not permitted without written permission of GOUDSMIT Magnetic Systems BV				Rev:	